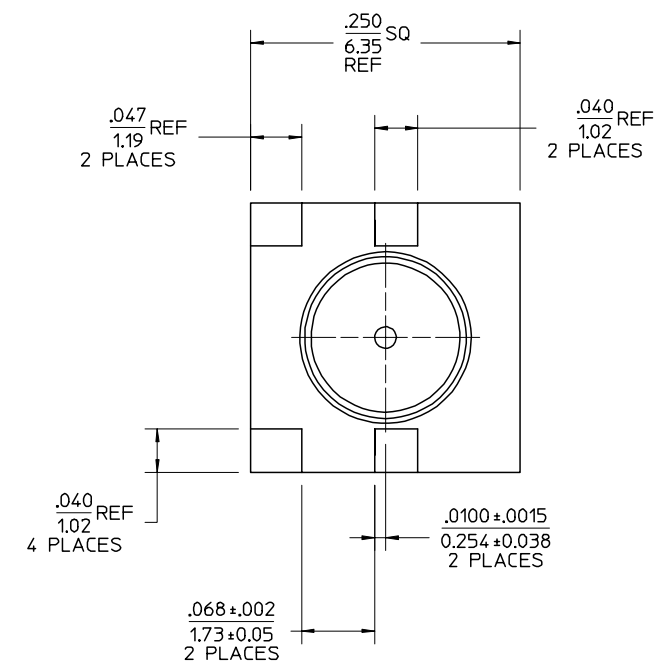
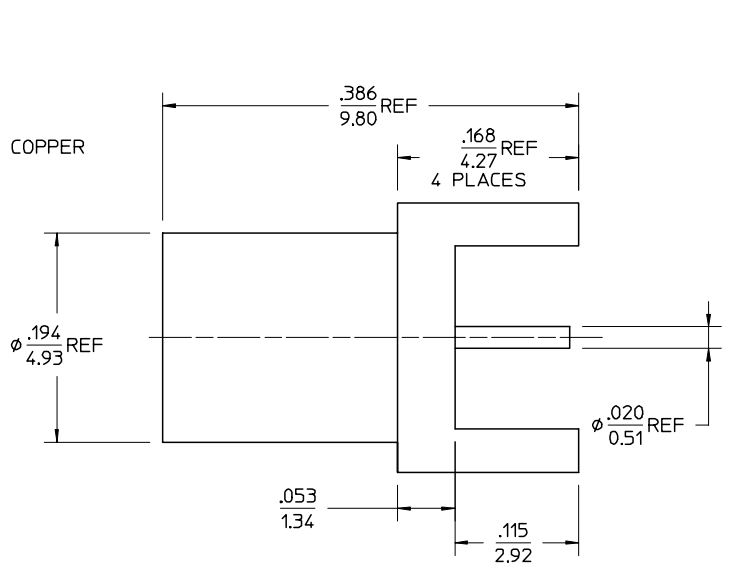


MATERIALS AND FINISHES

BODY BRASS
PLATED NICKEL

CENTER CONTACT BERYLLIUM COPPER
PLATED GOLD

INSULATOR TEFLON



PART # 73415-2740

| | | | | | | | | | | | | | | | | |
|--|---|---|--|---|--|---|--|-------------|--|--------------------------------------|---|---|---|--|-----|-----|
| A1 | CHG: ADDED 75 OHM TO TITLE EC NO. URF-1552 DRWN: TEF 09/06/02 CHK: SSS 09/06/02 APPR: GMH 09/06/02 UNCONTROLLED DOCUMENT NOTE | A | EC NO. URF-0974 DRWN: TEF 02/06/01 CHK: SSS 02/06/01 APPR: SSS 02/06/01 | 2 | ADDED DIM .053 ADDED DIM .115 TEF 01/09/01 CHG: XXXXX | 1 | EC NO. URF-XXXX DRWN: XXX 00/00/00 CHK: XXX 00/00/00 APPR: XXX 00/00/00 | DESCRIPTION | UNLESS OTHERWISE SPECIFIED DIMS ARE INCHES AND ANGLES ARE DEGREES. 1. ✓ 63 ALL OVER. 2. NO CHATTER OR NON-UNIFORM SURFACE FINISH ALLOWED. 3. PARTS TO BE FREE OF BURRS & SHARP EDGES .005 MAX BREAK. 4. EXTERNAL THREADS TO BE ROLLED OR SINGLE POINT. 5. DIAMETERS TO BE CONCENTRIC WITHIN .003 TIR. | QUALITY SYMBOLS MAJOR CRITICAL | GENERAL TOLERANCES: (UNLESS SPECIFIED) mm INCH 4 PLACES ± .0005 3 PLACES ± .005 2 PLACES ± .01 1 PLACE ± .1 ANGULAR: ±2° | SCALE DESIGN UNITS <input type="checkbox"/> mm <input checked="" type="checkbox"/> INCH | THIRD ANGLE PROJECTION <input type="checkbox"/> mm <input checked="" type="checkbox"/> INCH <input type="checkbox"/> mm ONLY | DIMENSIONS: <input type="checkbox"/> mm <input checked="" type="checkbox"/> INCH <input type="checkbox"/> mm ONLY | 1 | A1 |
| | | | | | | | | | | | | | | | SHT | REV |
| DRAWN BY & DATE TEF 01/08/01 | | | | | | | | | | | TITLE: MXC JACK, PCB, 75 OHM MXC-J/PCB | | | | | |
| CHECKED BY & DATE SSS 01/08/01 | | | | | | | | | | | APPROVED BY & DATE GMH 01/08/01 | | | | | |
| CAD FILENAME | | | | | | | | | | | MATERIAL NO. SEE NOTE | DRAWING NO. SD-73415-274 | SHEET NO. 1 of 1 | | | |
| DRAFT WHERE APPLICABLE MUST REMAIN WITHIN DIMENSIONS | | | | | | | | | | | THIS DRAWING CONTAINS INFORMATION THAT IS PROPRIETARY TO MOLEX INCORPORATED AND SHOULD NOT BE USED WITHOUT WRITTEN PERMISSION. | | SIZE B | | | |