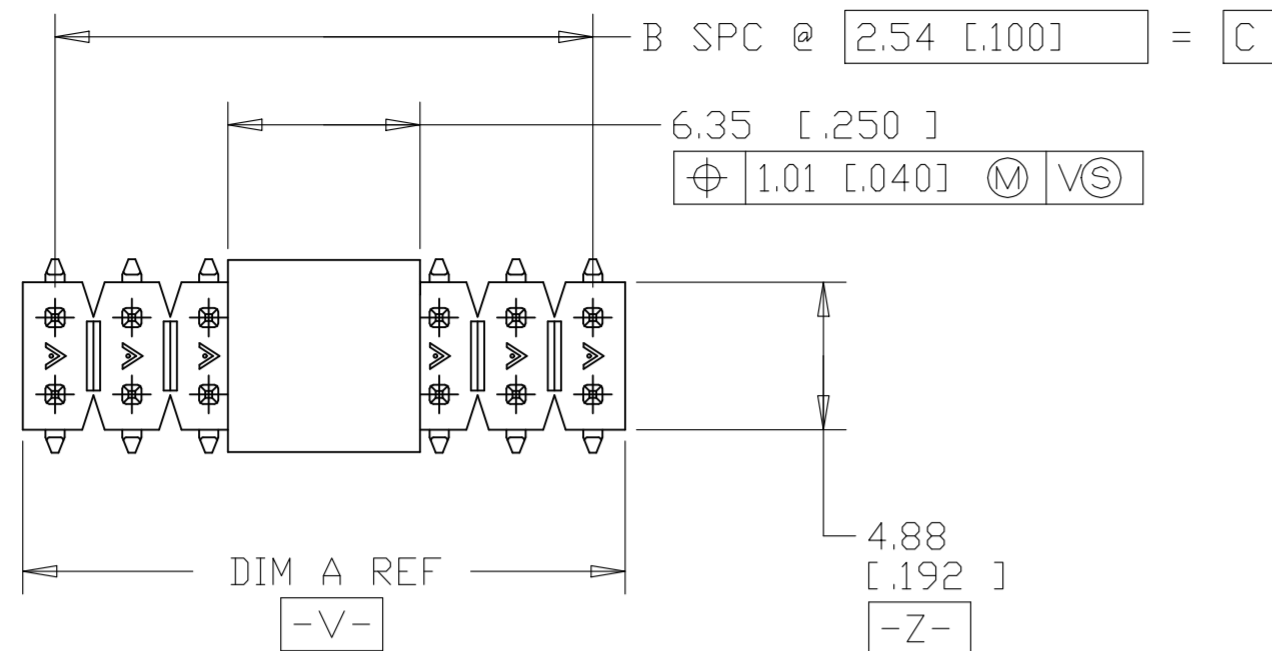
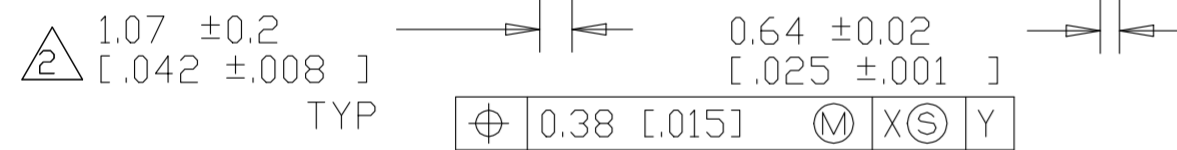
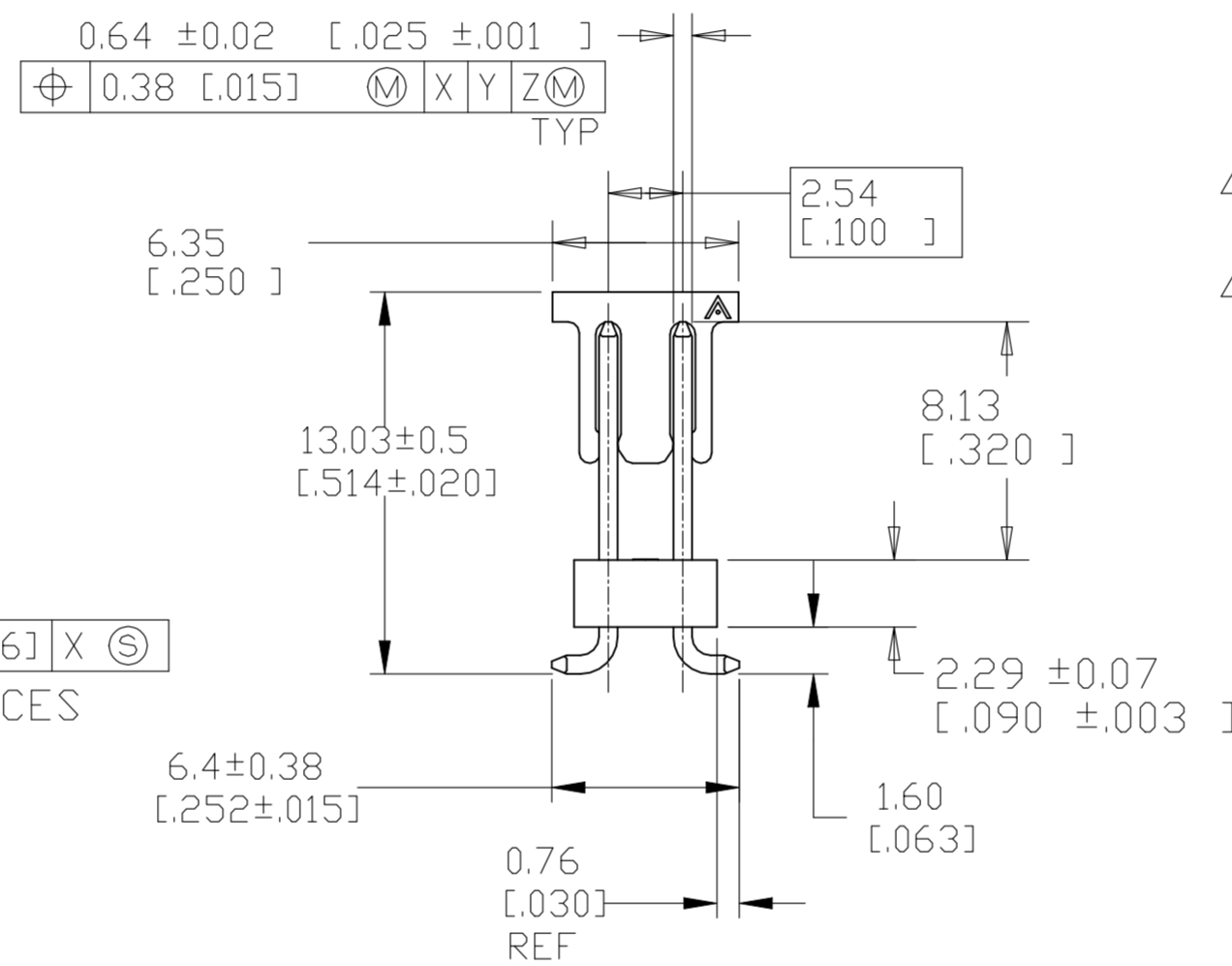
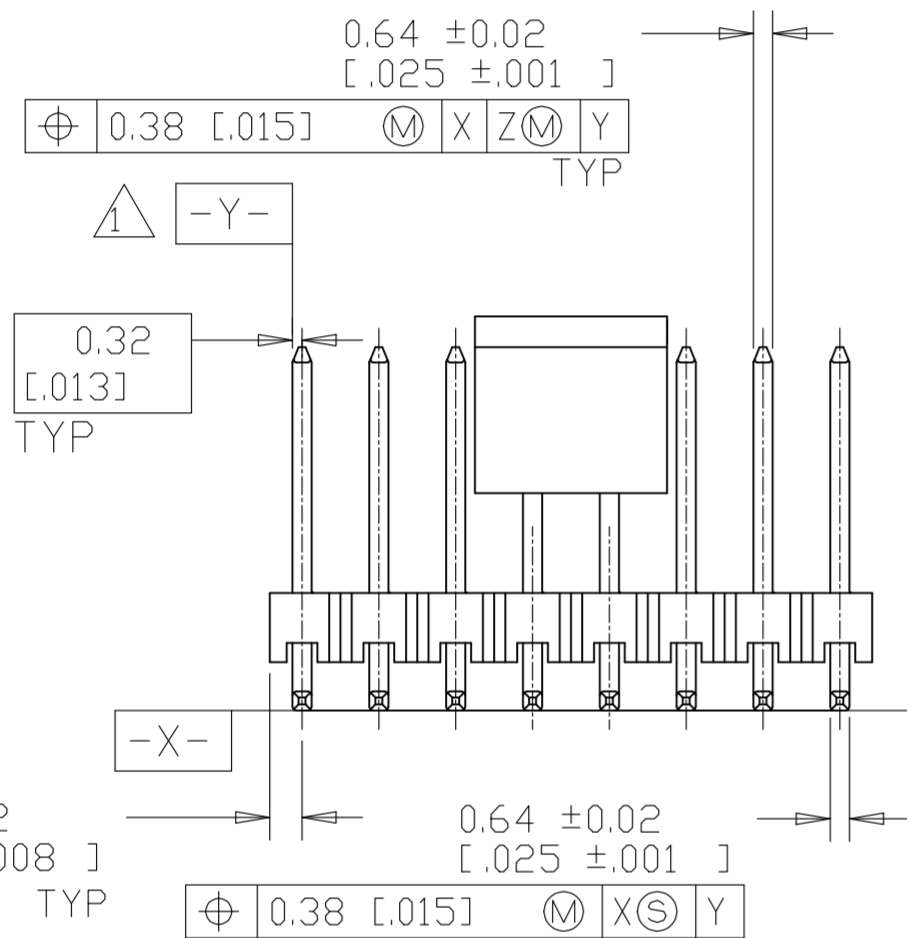


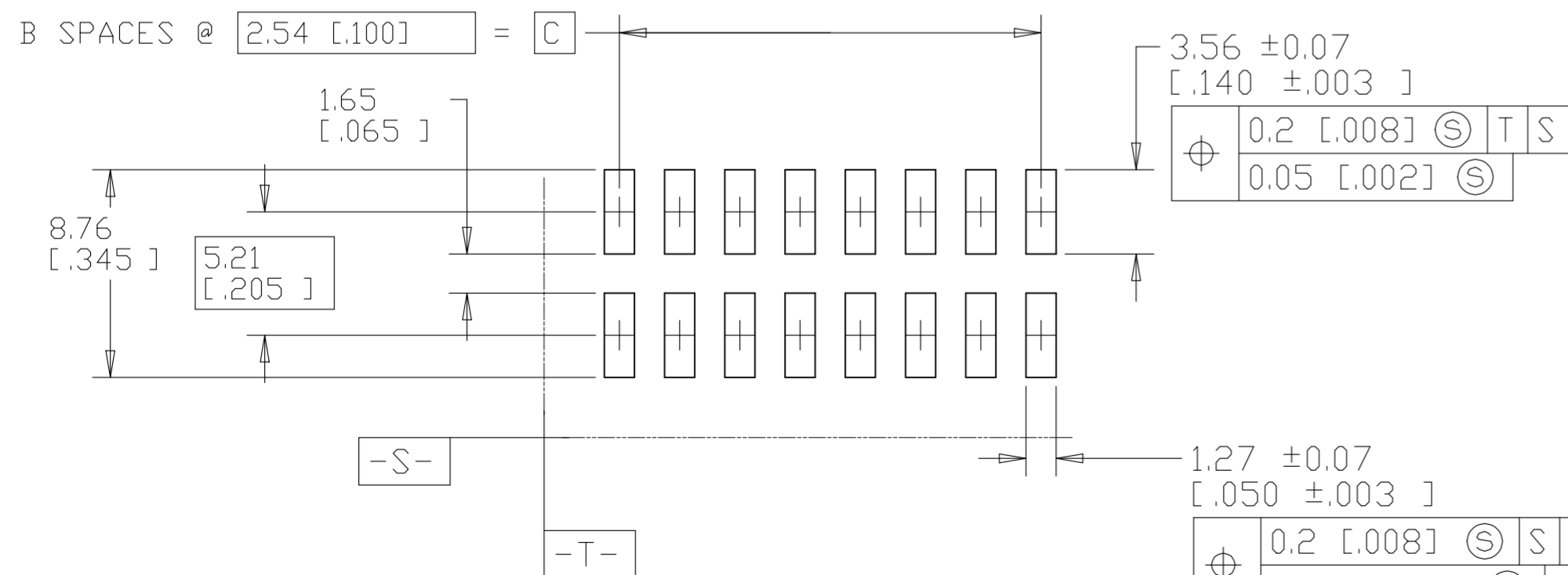
P	LTR	DESCRIPTION	DATE	DWN	APVD
D		REVISED PER ECR-22-162119	02JAN2023	RK	MF



- 1 [-Y-] SHALL BE THE INTERSECTION OF THE POST AND THE HOUSING.
- 2 THE NOTED DIMENSIONS APPLY FROM THE BASIC DIMENSION (NOT THE POST CENTERLINE) TO THE SURFACE INDICATED.
- 3 0.00254-0.00508 [0.00100-0.00200] MATTE TIN-LEAD OVER 0.00127 [0.00050] NICKEL, ENTIRE POST.
- 4 HOUSING: LCP, COLOR-BLACK.
POST: PHOSPHOR BRONZE.
PICK AND PLACE CAP: PPA, COLOR-BLACK.
- 5. PACKAGED IN TAPE AND REEL PER EIA-481 SPECIFICATIONS. SEE TABLE FOR WIDTHS.
- 6 0.00254-0.00508 [0.00100-0.00200] MATTE TIN OVER 0.00127 [0.00050] NICKEL, ENTIRE POST.
- 7 PRELIMINARY PART - NOT RELEASED FOR PRODUCTION.



0.15 [0.006] X S
ALL SURFACES



RECOMENDED PCB LAYOUT FOR USE WITH 0.20 [0.008] THICK STENCIL

7	6	44 mm	17.78 [0.700]	7	19.91 [0.784]	16	5-1571878-1
	3	56 mm	20.32 [0.800]	8	22.45 [0.884]	18	1571878-2
	3	44 mm	17.78 [0.700]	7	19.91 [0.784]	16	1571878-1
PLATING	TAPE WIDTH	C	B	A	NO OF POSN	PART NUMBER	

THIS DRAWING IS A CONTROLLED DOCUMENT.		DWN	M.BINNER	17JUN04		SMT HDR ASSY, MOD II, B/A VERT, D/R. .100C/L, .025 SQ POST, W/PICK AND PLACE CAP		
DIMENSIONS: mm [INCHES]		CHK	J.GESFORD	17JUN04		NAME		
TOLERANCES UNLESS OTHERWISE SPECIFIED:		APVD	J.GESFORD	17JUN04		PRODUCT SPEC		
0 PLC ± - 1 PLC ± - 2 PLC ± - 3 PLC ± 0.13[.005] 4 PLC ± - ANGLES ± -		APPLICATION SPEC				SIZE	CAGE CODE	DRAWING NO
MATERIAL	4	FINISH	SEE TABLE	WEIGHT	-	A2	00779	
CUSTOMER DRAWING				SCALE	4:1	SHEET	1 of 1	