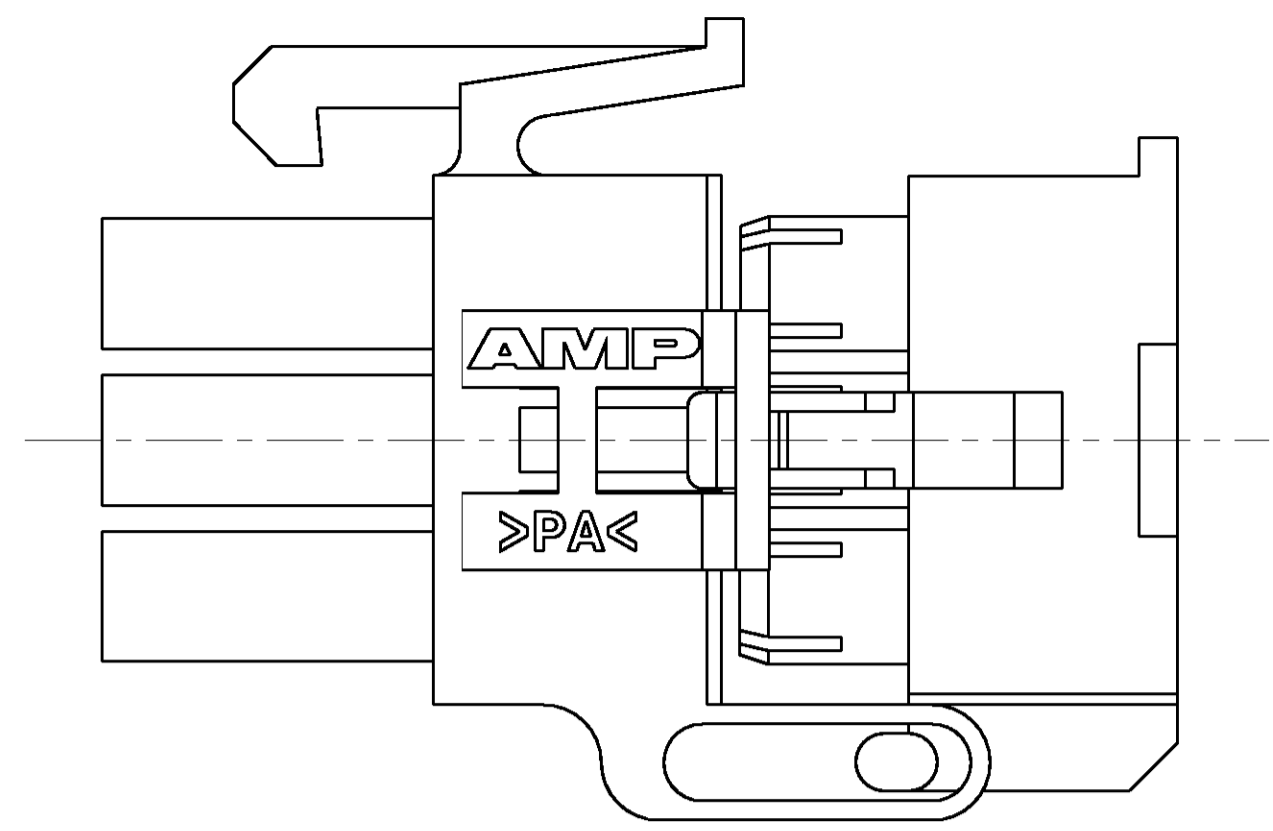
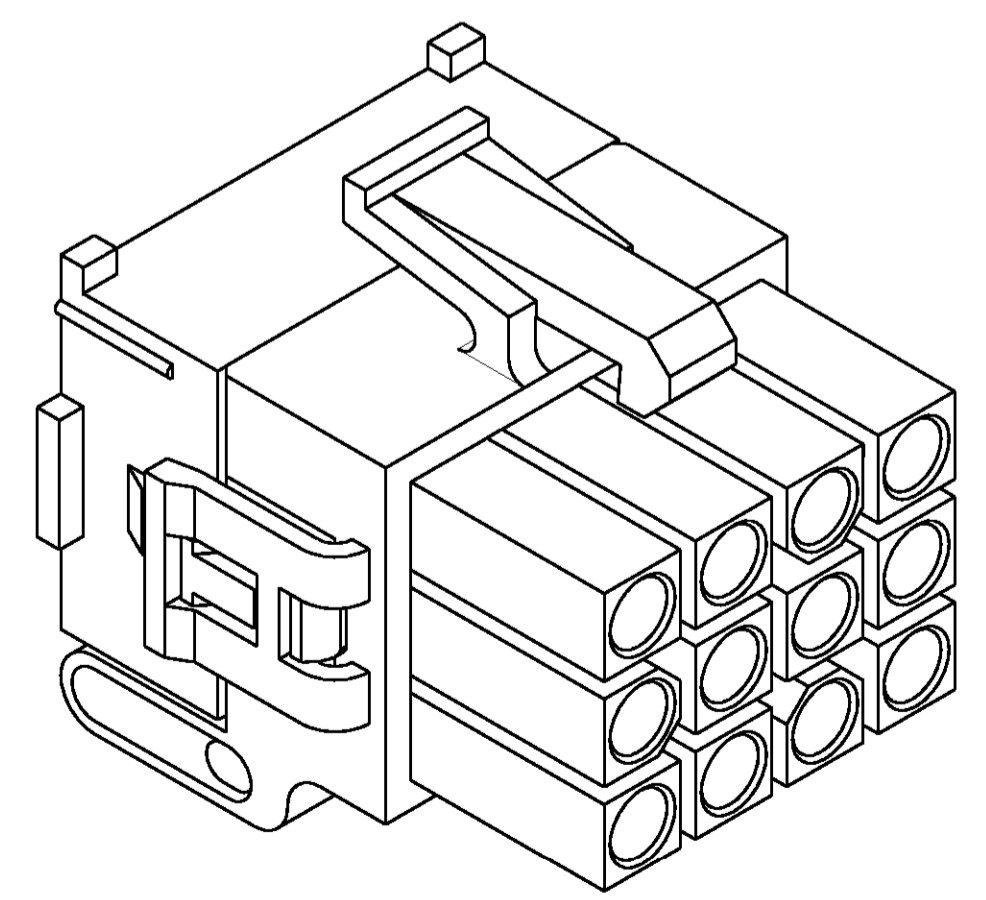
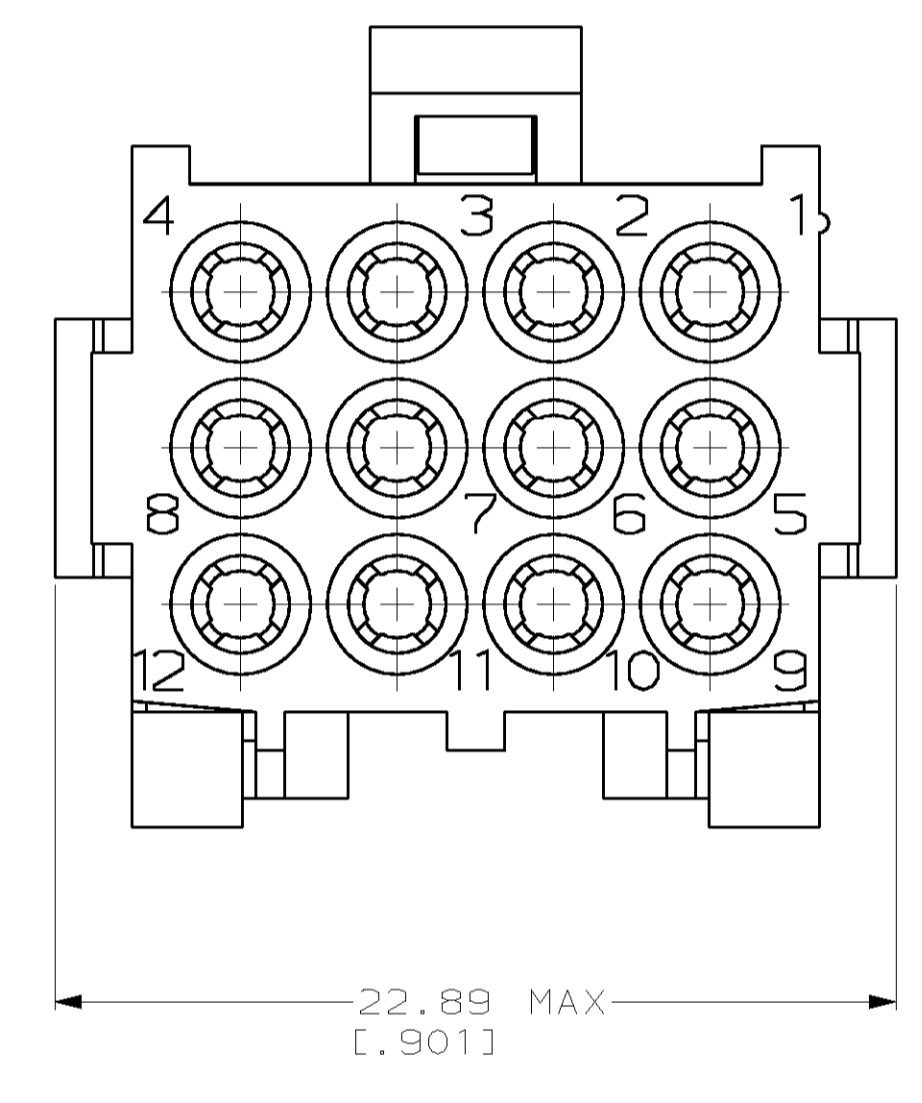
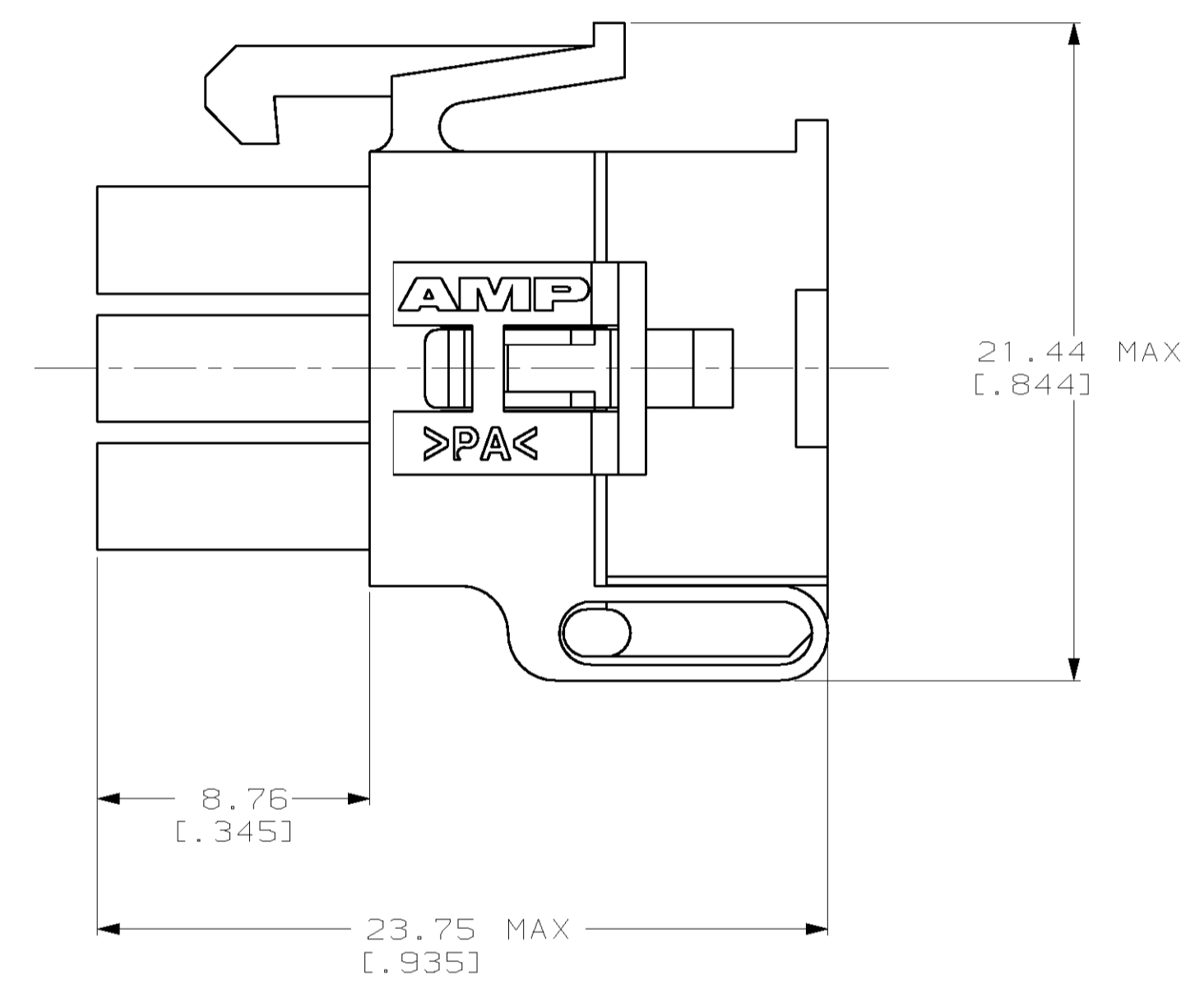
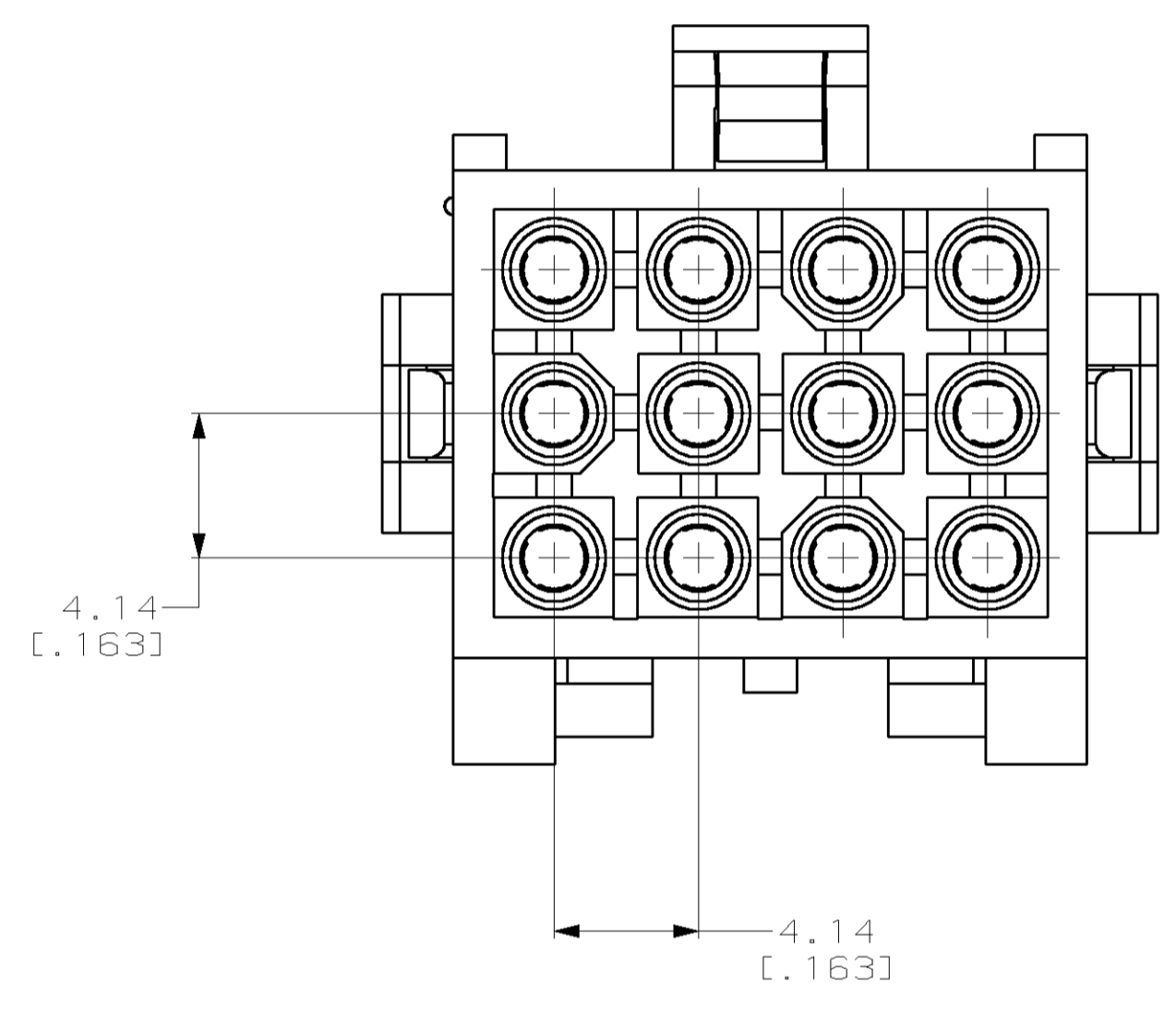


REV. NO.		REVISIONS				
LOC	DIST	REV	DESCRIPTION	DATE	BY	APPROV
CM	53	B	REV PER EC 061B-0094-99	23-SEP-99	KW	KC



PRE-STAGED CONDITION

1. DIMENSIONS IN BRACKETS ARE IN INCHES.



3-DIMENSIONAL MODEL
NTS

794253-1
PART NUMBER

METRIC

THIS DRAWING IS A CONTROLLED DOCUMENT.		DWN K. WHITAKER 5-15-97	AMP AMP Incorporated Harrisburg, PA 17105-3608
		CHK R. SWING 5-15-97	
DIMENSIONS:		APPROV S. ORSTAD 5-15-97	NAME PLUG, 12 CIRCUIT, MATRIX, MINI UNIVERSAL MATE-N-LOK™ 2
mm	TOLERANCES UNLESS OTHERWISE SPECIFIED:	PRODUCT SPEC	APPLICATION SPEC
	0 PLC ±		
	1 PLC ±		
	2 PLC ±0.13 (.005)		
	3 PLC ±		
	4 PLC ±		
	ANGLES 40°±30°	WEIGHT	RESTRICTED TO
MATERIAL NYLON, UL 94V-2, NATURAL	FINISH	SIZE CAGE CODE DRAWING NO	A1 00779 C-794253
CUSTOMER DRAWING		SCALE 5:1	SHEET 1 OF 1 REV B