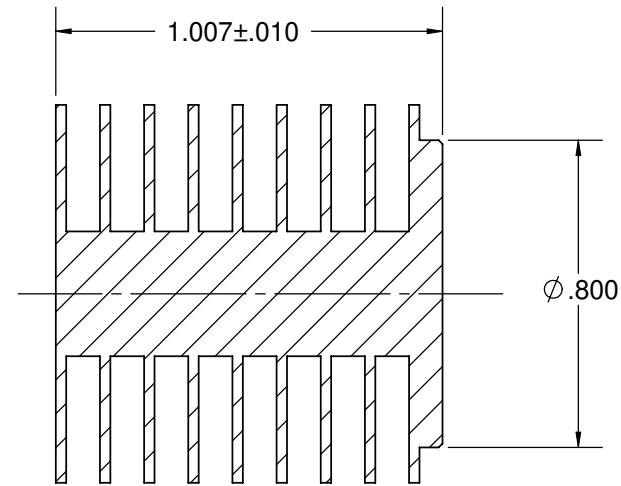
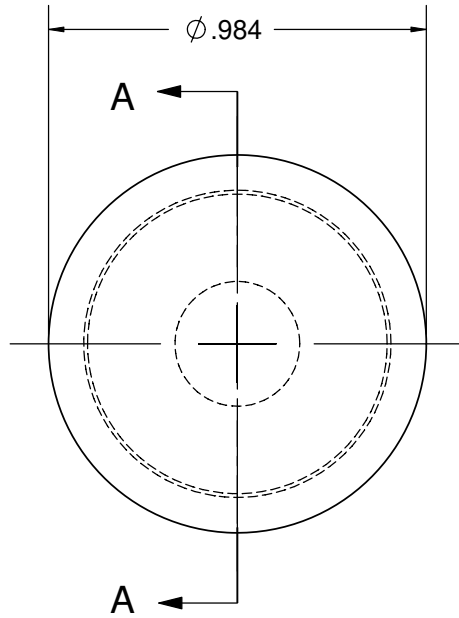
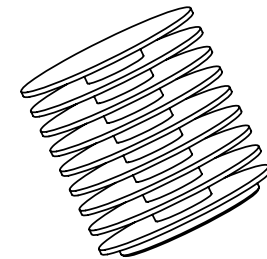


REVISION(S)			
LTR	DESCRIPTION	INIT	APP'D
A	NEW RELEASE	E.T 10/8/03	C.R 10/8/03
B	ECN: 0S60-0045-05	E.T 2/15/05	B.P 2/16/05
C	ECR-06-006382	E.T 3/16/06	C.W 3/16/06
D	ECO-09-000019	E.T 1/2/09	B.S 1/5/09



SECTION A-A


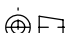


SCALE = 1X

NOTE: UNLESS OTHERWISE SPECIFIED:

1. INTERPRET DRAWING PER ASME Y14.5M - 1994.
2. RoHS COMPLIANT AND CERTIFIED.

**CUSTOMER DRAWING**  
 SPECIFICATIONS ARE SUBJECT TO CHANGE WITHOUT NOTICE

DO NOT SCALE	 Norwood, Massachusetts 02062			CONFIDENTIAL PROPERTY OF TYCO ELECTRONICS NOT TO BE DISCLOSED TO OTHERS, REPRODUCED OR USED FOR ANY PURPOSES EXCEPT AS AUTHORIZED IN WRITING BY AN AUTHORIZED OFFICIAL OF THE COMPANY. MUST BE RETURNED TO THE COMPANY ON COMPLETION OF ORDERS OR OTHER PURPOSES FOR WHICH LENT.		TITLE: <b>HEAT SINK</b>	
	UNLESS OTHERWISE SPECIFIED TO TOLERANCES ARE:	DRAWN BY: ETAO	DATE: 10/07/03	MATERIAL: 2011-T3 ALUM.		DIMENSIONS ARE IN: INCHES	SCALE: 2:1
	.XX ± .010 .XXX ± .005	ENGINEER: C.R	DATE: 10/07/03	FINISH: ANODIZE BLACK		PART NO.:	1542779-4
		FILENAME	PROJECT	SYSTEM	THIRD ANGLE PROJECTION 	SIZE: A	DWG. NO.:
						C-1542779	SHEET: 1 OF 1 REV: D