

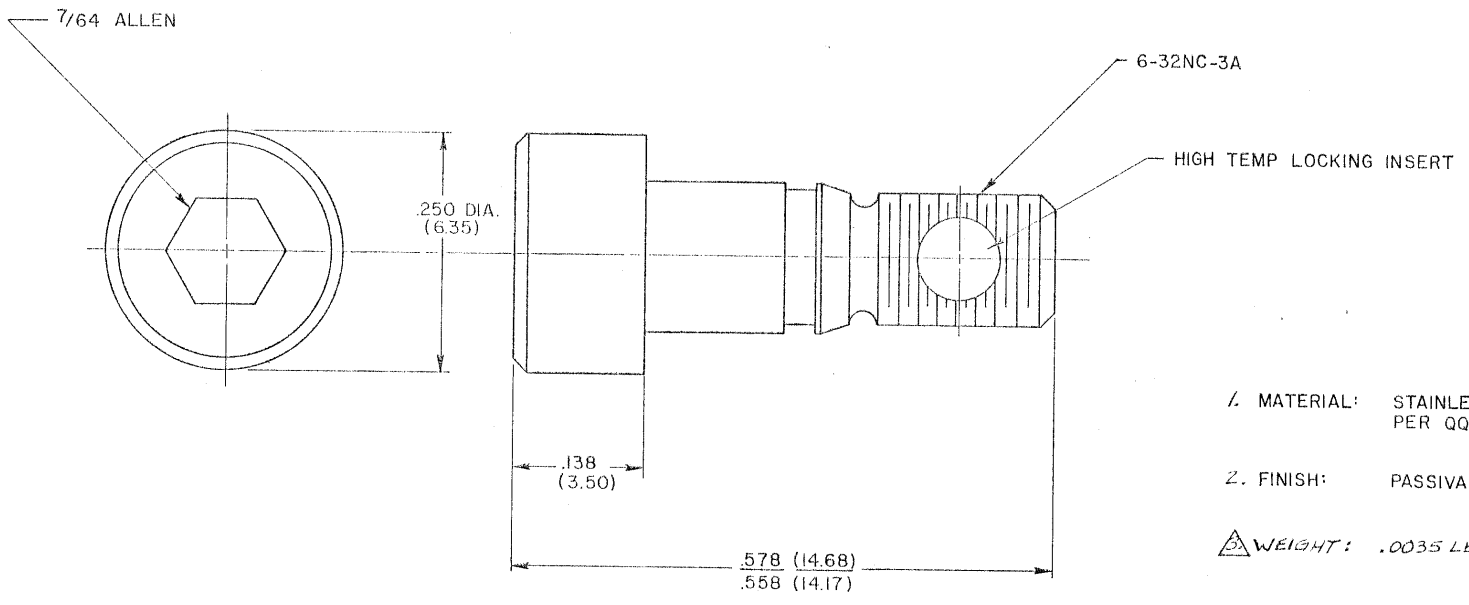
4

3

2

1

REVISIONS			
ZONE	CTR	DESCRIPTION	DATE
A		NEW DESIGN - 013037	8/6/79



- 1. MATERIAL: STAINLESS STEEL 300 SERIES PER QQ-S-763.
- 2. FINISH: PASSIVATE PER QQ-P-35.
- 3. WEIGHT: .0035 Lbs. [1.588gr.] MAX.

© Raychem Corporation 1979

CONNECTOR SPECIFICATION CONTROL DRAWING

UNLESS OTHERWISE SPECIFIED DIMENSIONS ARE IN INCHES BRACKETED DIMENSIONS () ARE METRIC AND TOLERANCES ARE: .xxx: ±.005 (.127mm) .xx: ± () .x: ± ()	DRAWN	A.M. LEE	6-18-79	Raychem <small>RAYCHEM CORPORATION 300 CONSTITUTION DRIVE MENLO PARK, CALIFORNIA 94025</small>
	CHECKED	Hogman	6-20-79	
	APPROVED	B/S/ab	6-25-79	TITLE
	APPROVED			SCREW, CAPTIVE
	APPROVED			ALLEN HEAD
	PROJECT	6448-7072	SIZE	CODE IDENT
			C	NO. 06090
			DWG. NO.	CTA-0028
			WEIGHT	SHEET / OF /

**If this document is printed it becomes uncontrolled.
Check with the web for latest revision.**

DO NOT SCALE THIS DRAWING