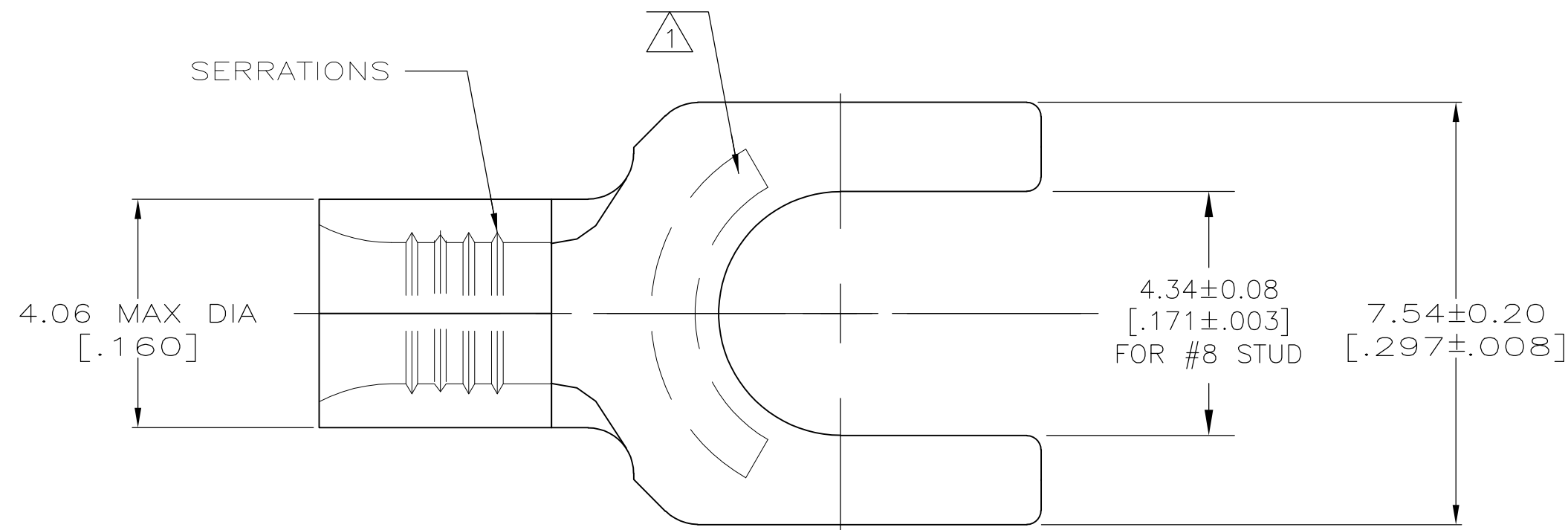


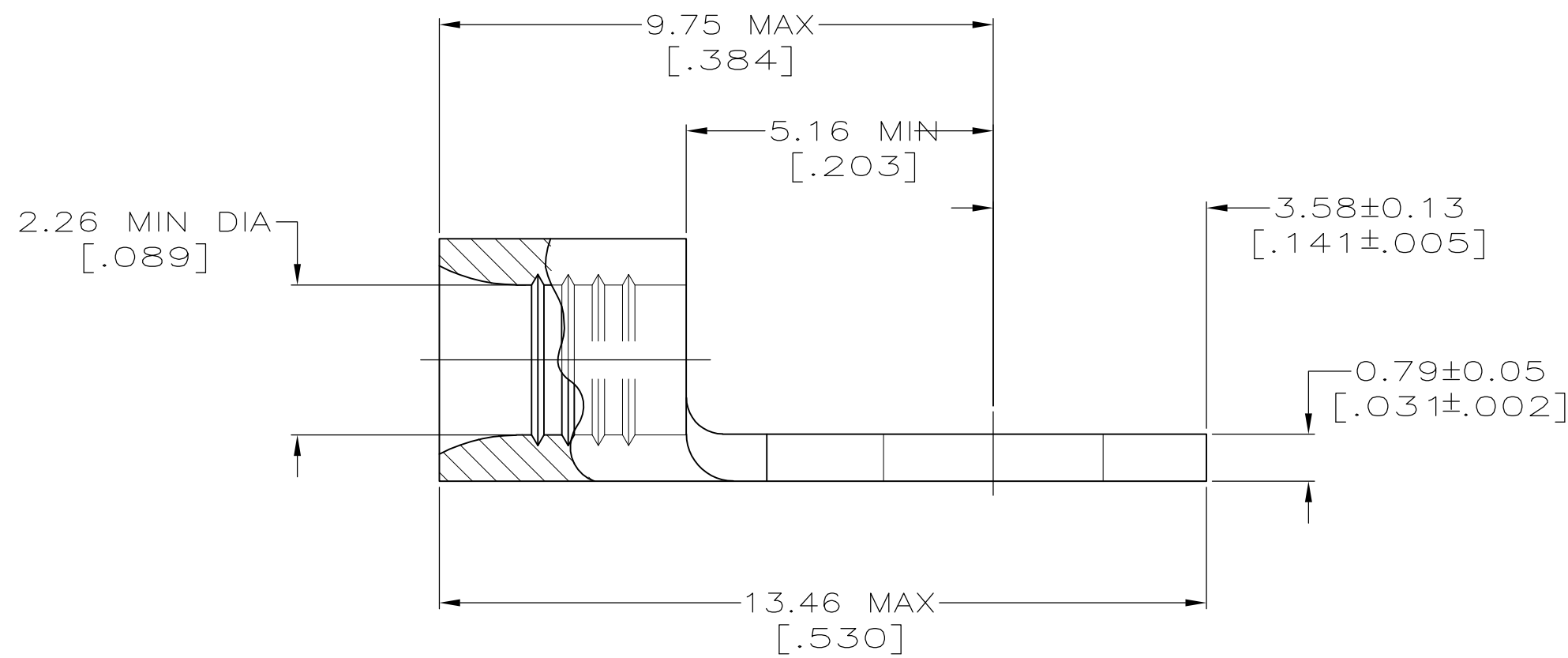
THIS DRAWING IS UNPUBLISHED. RELEASED FOR PUBLICATION
 © COPYRIGHT BY TYCO ELECTRONICS CORPORATION. ALL INTERNATIONAL RIGHTS RESERVED.

| LOC | DIST | REVISIONS | | | | | |
|-----|------|-----------|-----|---------------------------|---------|-----|------|
| G | 14 | P | LTR | DESCRIPTION | DATE | DWN | APVD |
| | | C1 | | REVISED PER ECR 09-023200 | 27OCT09 | JR | TM |



| | | |
|-----------------------|--------------------------|---------------------|
| AMP WIRE RANGE | UL Listed FILE E13288 | LR7189 Certified |
| 16-14 AWG STRANDED | 16-14 AWG STRANDED | NOT CERTIFIED |

- 1 STAMP AMP 16-14*, APPROX AS SHOWN
- 2 COPPER PER ASTM B-152, ANNEALED
- 3 0.00254 [.000100] MIN TIN PER ASTM B-545



35116
PART NUMBER

| | | | | | | | | | |
|---|--|---|--|---|--|--------------------------|--|---|--|
| CUSTOMER SERVICE SYSTEMS | | MAX RECOMMENDED OPERATING TEMPERATURE: 170°C MAX | | THIS DRAWING IS A CONTROLLED DOCUMENT. | | DWN TA BRINKMAN 1-28-93 | | Tyco Electronics Corporation Harrisburg, PA 17105-3608 | |
| FOR ADDITIONAL PRODUCT INFORMATION OR COPIES OF DRAWINGS AND TECHNICAL DOCUMENTS | | PRODUCT INFORMATION CENTER 1-800-522-6752 | | DIMENSIONS: MM [INCHES] | | CHK DA PATTERSON 1-28-93 | | NAME | |
| FOR APPLICATION TOOLING INFORMATION | | TOOLING ASSISTANCE CENTER 1-800-722-1111 | | TOLERANCES UNLESS OTHERWISE SPECIFIED: 0 PLC ± - 1 PLC ± - 2 PLC ± 0.20 [.008] 3 PLC ± - 4 PLC ± - ANGLES ± - | | APVD JL MECKLEY 1-28-93 | | TERMINAL, SPADE TONGUE, BUDGET | |
| FOR ORDER ENTRY | | 1-800-526-5142 | | MATERIAL - 2 | | FINISH - 3 | | RESTRICTED TO | |
| THIS DRAWING IS A CONTROLLED DOCUMENT FOR AMP INCORPORATED. IT IS SUBJECT TO CHANGE AND THE CONTROLLING ENGINEERING ORGANIZATION SHOULD BE CONTACTED FOR THE LATEST REVISION. | | | | CIRCULAR MIL AREA: 1.04-2.62mm² [2,050-5,180] STRANDED | | APPLICATION SPEC | | SIZE CAGE CODE DRAWING NO | |
| | | | | | | WEIGHT - | | A2 00779 C=35116 | |
| | | | | | | CUSTOMER DRAWING | | SCALE 10:1 SHEET 1 of 1 REV C1 | |