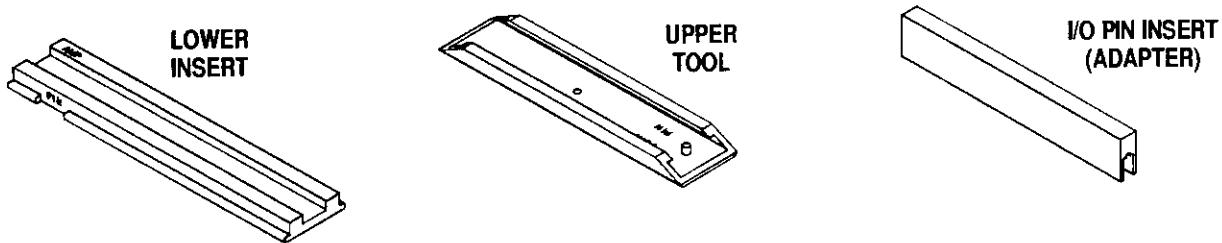
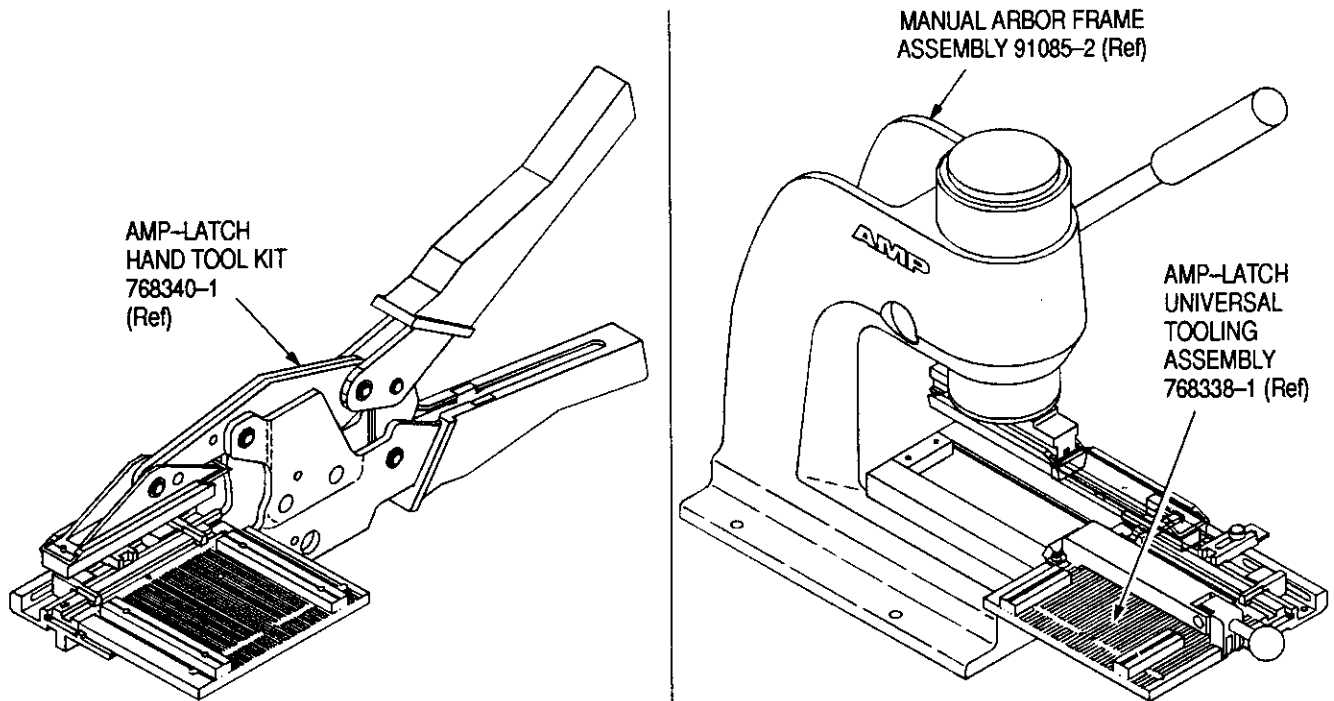


PROPER USE GUIDELINES

Cumulative Trauma Disorders can result from the prolonged use of manually powered hand tools. AMP hand tools are intended for occasional use and low volume applications. AMP offers a wide selection of powered application equipment for extended-use, production operations.

CONNECTOR-SPECIFIC KIT 768344-1**TYPICAL APPLICATIONS***Figure 1***1. INTRODUCTION**

This instruction sheet describes AMP Connector-Specific Kit 768344-1, lists cable requirements, and describes installation of the tooling assembly. See Figure 1.

AMP Connector-Specific Kit 768344-1 can be used with AMP-LATCH Hand Tool Kit 768340-1 (Figure 1)

to terminate AMP-LATCH Universal I/O Connectors having 1.27 mm [.050 in.] centerline spacing to ribbon cable. Refer to Figure 2 for cable dimensions.

AMP-LATCH Universal Tooling Assembly 768338-1 (Figure 1) can also be used. The tooling assembly is powered by either AMP Manual Arbor Frame Assembly 91085-2 or AMP Pneumatic Frame Assembly 91112-3.

NOTE

For information concerning AMP Universal I/O Pin Connectors, refer to AMP Catalog 82012. For detailed information on other tooling components used with Connector-Specific Kit 768344-1, refer to the following instruction sheets:

- 408-9828 -- AMP-LATCH Hand Tool Kit 768340-1
- 408-9827 -- AMP-LATCH Universal Tooling Assembly 768338-1
- 408-7777 -- Manual Arbor Frame Assembly 91085-2
- 408-6732 -- Pneumatic Auto-Cycle Unit 91112-3

Read these instructions carefully before assembling the connector-specific tooling assembly.

NOTE

Dimensions are in millimeters [followed by inch equivalents in brackets].

Reasons for reissue are provided in Section 6, REVISION SUMMARY.

2. DESCRIPTION (Figure 1)

Connector-Specific Kit 768344-1 features a lower insert, an upper tool, and an I/O pin insert (adapter) kit. The lower insert positions the connector on the tooling. The upper tool, which attaches to the tool mount, applies an even force over the length of the adaptor during termination. The adaptor kit includes seven adaptors that are used when terminating 10-through 64-position connectors. The adaptor, when centered inside the connector, applies an even force over the length of the connector and protects the connector walls from damage during termination.

3. CABLE REQUIREMENTS

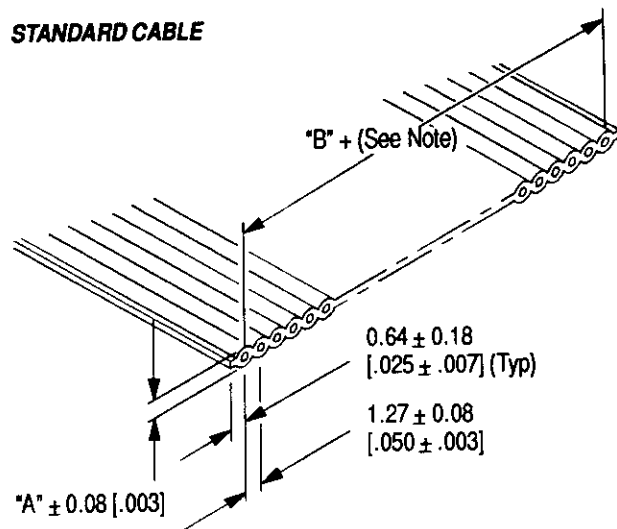
Connector-Specific Kit 768344-1 will terminate ribbon cable with 26 AWG solid or stranded conductors, or 28 AWG wire with solid or stranded conductors to all AMP-LATCH Universal I/O Pin Connectors. Refer to Figure 2 for the recommended cable dimensions.

CAUTION

The cable must be cut 90° to the edge of the cable; otherwise an improper termination will result. We suggest you use a guillotine-type cable cutter, such as the Carpenter Model 95 which can be purchased from:

Carpenter Manufacturing Co., Inc.
Fairgrounds Drive
Manlius, N.Y. 13207

STANDARD CABLE



NOTE: Accumulative tolerance for cable conductors 1 through 34 is + 0.25 [.010] and through 60 is + 0.38 [.015].

CONDUCTOR		DIMENSION	
SIZE (AWG)	TYPE	"A"	"B"
26	Stranded or Solid	0.89 [.035]	1.27 [.050] X (Total No. of Conductors Minus One)
28	Stranded or Solid		

Figure 2

cad 9831

4. CONNECTOR-SPECIFIC KIT INSTALLATION
(Figures 3 and 4)

NOTE

For hand tool applications, mount the hand tool onto a suitable work surface, whenever possible, before terminating the connectors. Refer to the bench-clamping instructions in 408-9828, packaged with the AMP-LATCH Hand Tool Kit.

1. Slide the upper tool onto the upper tool mount.
2. Slide the I/O Pin Insert into the connector.
3. Position the connector onto the lower insert.
4. Slide the lower insert into the slot of the base.

This completes the installation procedure. Refer to instruction sheet 408-9828 (hand tool kit) or 408-9827 (tooling assembly) for termination instructions.

5. CONNECTOR-SPECIFIC KIT INSPECTION

The Connector-Specific Kit listed on this instruction sheet has been inspected and should be verified with information provided in Figure 5. It is recommended that the tooling be inspected immediately upon its arrival at your facility (and at regularly scheduled intervals) to ensure the tooling has not been damaged during handling.

**AMP-LATCH HAND TOOL KIT 768340-1
WITH CONNECTOR-SPECIFIC KIT 768344-1**

AMP-LATCH HAND TOOL KIT 768340-1 (Ref)
(Includes AMP-LATCH Hand Tool Subassembly 768942-1
and Base Assembly Universal Hand Tool 768339-1.
Refer to 408-9846 and 408-9826)

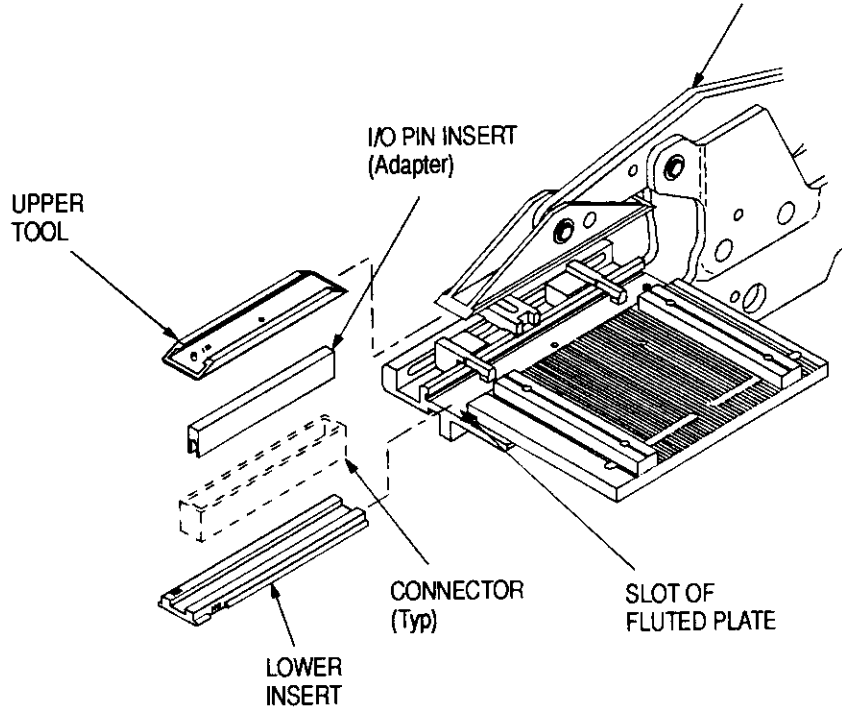


Figure 3

**AMP-LATCH UNIVERSAL
TOOLING ASSEMBLY 768338-1
WITH CONNECTOR-SPECIFIC
KIT 768344-1**

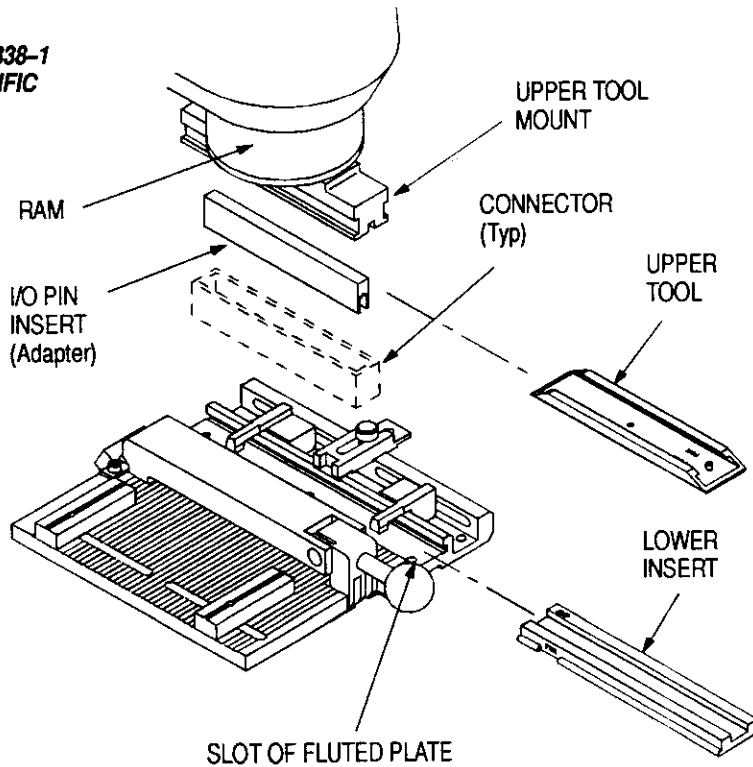
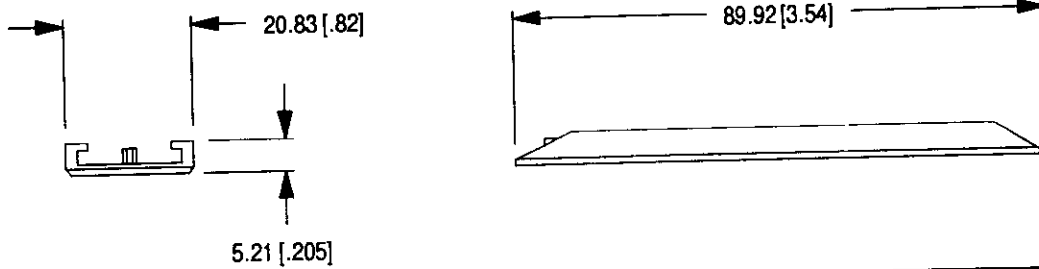
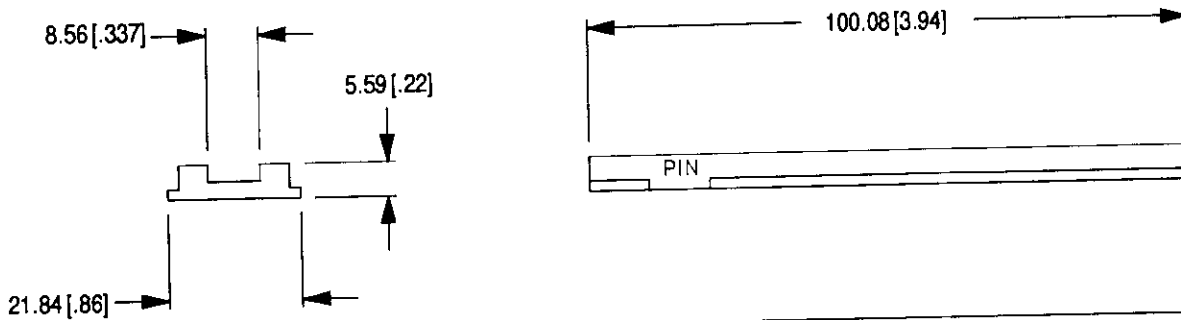


Figure 4

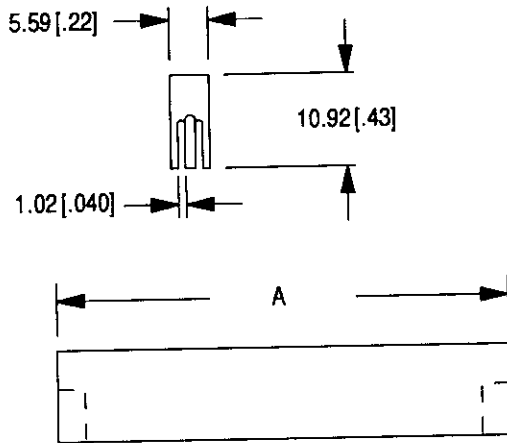
UPPER TOOL 543274-8



LOWER INSERT 543275-4



I/O PIN INSERT (ADAPTER) KIT 314612-1



POSITION MARKING	"A" DIMENSION
10, 14, 16	17.145 [.675]
20, 24, 26	42.545 [1.675]
30, 34	44.831 [1.765]
40, 44	55.245 [2.175]
50	67.945 [2.675]
60	80.645 [3.175]
64	85.725 [3.375]

Figure 5

For additional information concerning AMP-LATCH Connector-Specific Kits or to purchase additional kits, contact your local AMP representative or:

CUSTOMER SERVICE (38-35)
 AMP INCORPORATED
 P.O. BOX 3608
 HARRISBURG, PA 17105-3608

6. REVISION SUMMARY

Revisions to this document include:

Per EC 0150-3309-94:

- Added AMP-LATCH Hand Tool Kit 768340-1 to Figure 1 and Section 1
- Added reference to 408-9828 to Sections 1 and 4
- Added Figure 3
- Added NOTE to Section 4
- Changed height dimensions for upper tool and I/O Pin Insert in Figure 5

Per EC 0990-0252-93:

- Updated format
- Added Steps 2 and 3 to Section 4