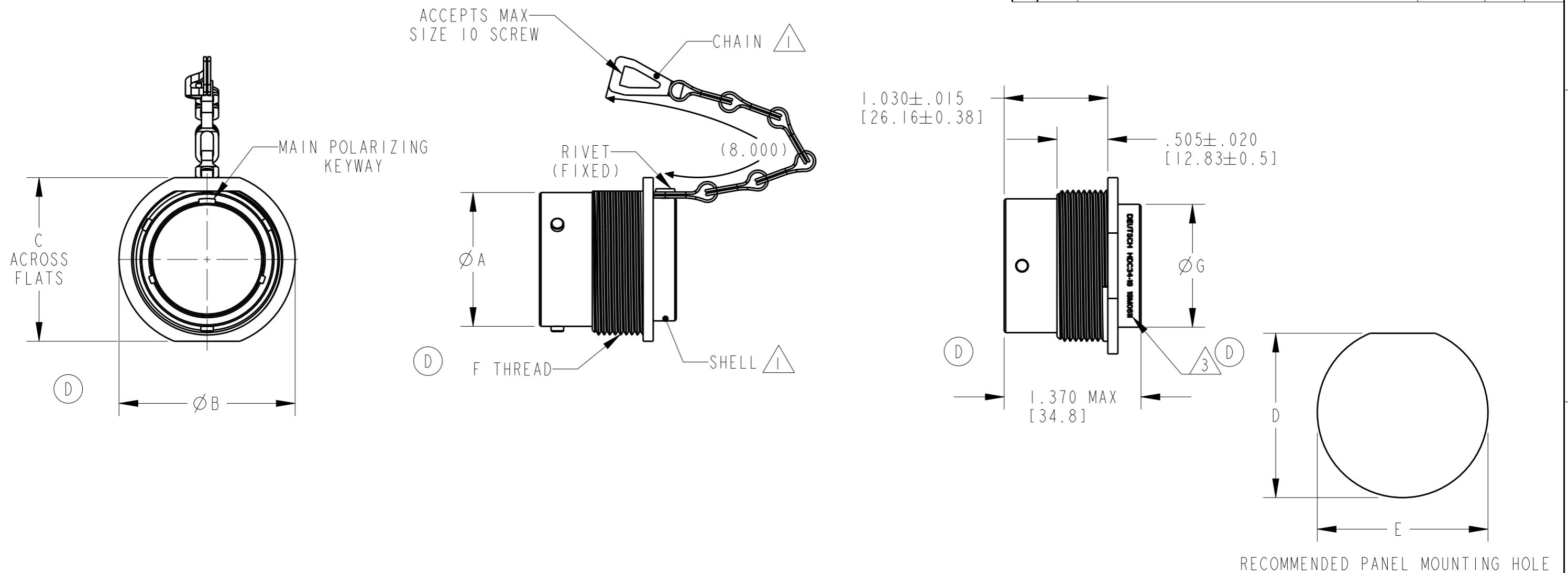


THIS DRAWING IS UNPUBLISHED. RELEASED FOR PUBLICATION 2014

© COPYRIGHT 2014 BY TE CONNECTIVITY ALL RIGHTS RESERVED.

LOC	DIST	REVISIONS			
P	LTR	DESCRIPTION	DATE	DWN	APVD
-	-	B	REVISED PER E.O. P20651	23DEC2010	- RDR
-	-	C	REVISED PER E.O P20815	14MAR2011	- RDR
-	-	CI	REVISED PER ECO-15-001798	19AUG2014	PV DM
-	-	D	REVISED PER E-20-008459	07MAY2020	CO IG



SHELL SIZE XX	A	B ±.010 [±.254]	C MAX.	D +.010/- .000 [+0.25/- .000]	E ±.005 [±0.12]	F THREAD REF	G
18	1.329 [33.75]	1.750 [44.45]	1.625 [41.27]	1.442 [36.62]	1.507 [38.27]	1.500 - 18 UNEF	1.220 [30.98]
24	1.579 [40.10]	2.000 [50.8]	1.875 [47.62]	1.632 [41.45]	1.696 [43.07]	1.6875 - 18 UNEF	1.470 [37.33]

3 DATE CODE: IDENTIFIES THE YEAR, MONTH, DAY AND HOUR OF ASSEMBLY. YEAR: FIRST AND SECOND DIGIT (19 = 2019). MONTH: THIRD DIGIT, EXCLUDING "1", A=JAN, B=FEB,...M=DEC. DAY: FOURTH AND FIFTH DIGITS (06 = 6th DAY) HOUR: SIXTH AND SEVENTH DIGITS (11 = 11AM)

2. RECOMMENDED PANEL THICKNESS .062[1.57] MIN. TO .1875[4.76] MAX.

1. MATERIAL:  
SHELL: ALUMINUM  
CHAIN: STAINLESS STEEL

THIS DRAWING IS A CONTROLLED DOCUMENT.

DWN 30OCT2014 VIJETH BHARADWAJ  
CHK 31OCT2014 I. GRANTCHAROVA  
APVD 31OCT2014 D. MEYER

TE Connectivity

COVER, PROTECTION BAYONET COUPLING (TO MATE WITH PLUG)

NAME

PRODUCT SPEC -  
APPLICATION SPEC -  
WEIGHT -

SIZE A3 CAGE CODE - DRAWING NO C-HDC34-XX RESTRICTED TO -

MATERIAL SEE NOTE FINISH -

CUSTOMER DRAWING SCALE 1:1 SHEET 1 OF 1 REV D