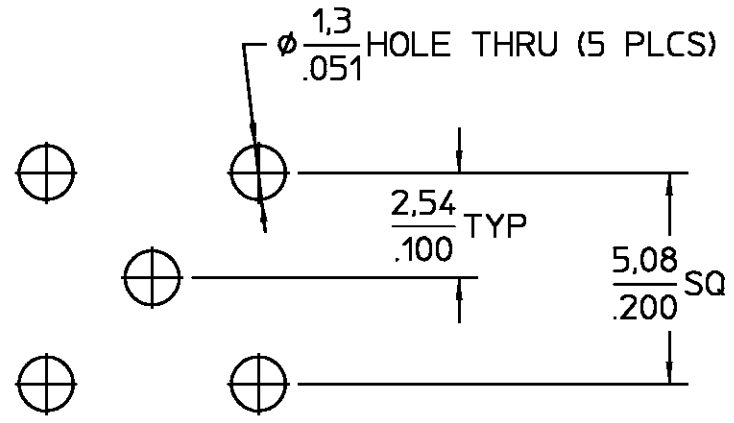


| REVISIONS | | | |
|-----------|------------------------------------|-----------------|----------------|
| REV | DESCRIPTION | DATE | APPROVED |
| 015 | SEE ECN 92-0572 | BME 10/30/90 | CW 10/30/90 |
| 016 | REVISED DATA TABLE PER ECN 95-0262 | 6/21/95 | S. Madby |
| 017 | REVISED, ECN 97-0391 | 12-3-97 | KYLE |
| 018 | REVISED | DM 3/16/99 | Tag 3/16/99 |



RECOMMENDED MOUNTING HOLE PATTERN

| ELECTRICAL | MECHANICAL | ENVIRONMENTAL |
|---|---|--|
| Nominal Impedance (Ohms) <u>50</u> | Force to Engage: (Lbs) <u>3.4 MAX</u> | Temperature Rating <u>-65°C to +165°C</u> |
| Frequency Range (GHz) <u>DC TO 6.0</u> | Force to Disengage: (Lbs) <u>1.77 MIN - 4.5 MAX</u> | Vibration <u>MIL-STD-202, Method 204, Condition B</u> |
| Voltage Rating (VRMS MAX) <u>335 @ Sea level</u> | Center Contact Captivation: <u>Axial 4.5lbs @ 1 minute with .006" displacement</u> | Thermal shock <u>MIL-STD-202, Method 107, Condition B</u> |
| VSWR <u>N/A</u> | | Moisture Resistance <u>MIL-STD-202, Method 106</u> |
| Insertion Loss <u>N/A</u> | | Corrosion <u>MIL-STD-202, Method 101, Condition B, 48 Hrs</u> |
| Corona, 70,000 Ft (VRMS MIN) <u>250 D.W.V.</u> | | |
| (VRMS MIN) <u>1000</u> | | |
| Contact Resistance | | |
| Center Contact (Milliohms MAX) <u>5.0</u> | | |
| Outer Contact (Milliohms MAX) <u>1.0</u> | | |
| Cable To Housing (Milliohms MAX) <u>1.0</u> | | |
| RF High Potential (VRMS MIN @ 5 MHz) <u>670</u> | | |
| I.R. (Megohms Min) <u>10,000</u> | | |

| COMPONENT | MATERIAL | FINISH |
|----------------|--|----------------------------|
| HOUSING CAP | BRASS PER ASTM-B-16 HALF HARD | NICKEL PLATE PER QQ-N-290 |
| DIELECTRIC | PTFE FLUOROCARBON PER ASTM-D-1457 | N/A |
| CENTER CONTACT | BERYLLIUM COPPER PER ASTM B 196, ALLOY C17300, CONDITION H | GOLD PLATE PER MIL-G-45204 |

| | | | |
|--|----------------------|----------------|---|
| UNLESS OTHERWISE SPECIFIED DIMENSIONS ARE IN MILLIMETERS TOLERANCE ON DEC ANGLES ±0.13 ° F | DRAWN BY M.Y. | DATE 3-8-90 | AMP Incorporated 140 Fourth Avenue Waltham, MA 02451-7599 |
| | CHECKED BY L.ROSS | 3-13-90 | |
| These drawings and specifications are the property of AMP incorporated and shall not be reproduced or copied or used in whole or in part as the basis for the manufacture or sale of item(s) without written permission. | APPD BY ORL | 3-13-90 | |
| | USE ASSY PROCEDURE | | |
| NO. AP | N/A | | |
| TITLE OSX PRINTED WIRING BOARD RIGHT ANGLE JACK RECEPTACLE STRAIGHT TERMINAL | | SIZE B | CODE IDENT NO. 26805 |
| SCALE 6:1 | | 5864-5002-10 | REV 018 |
| | | SHEET 1 OF 1 | |