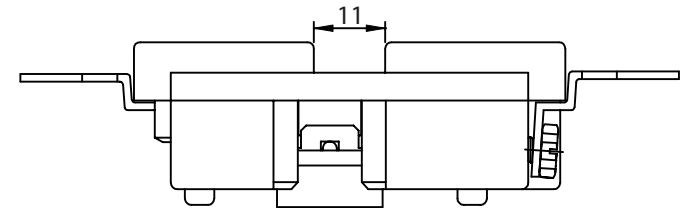
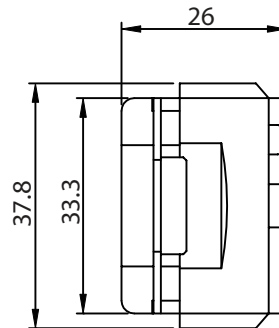
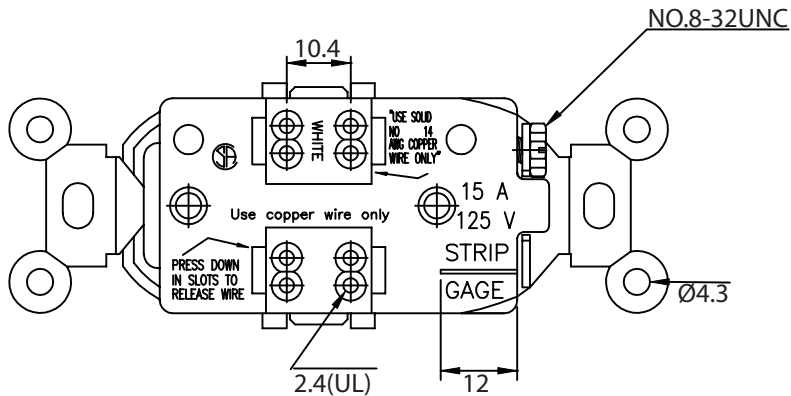
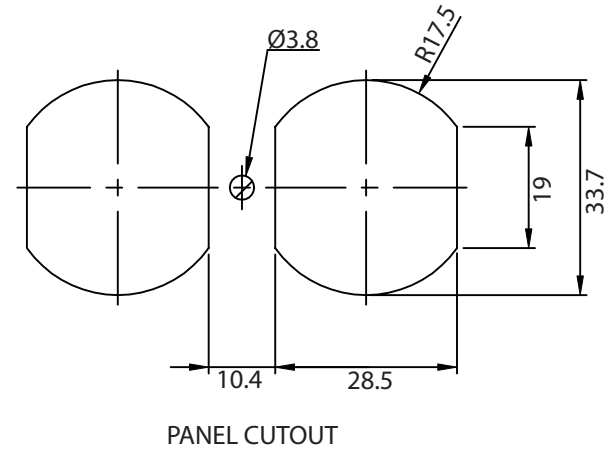
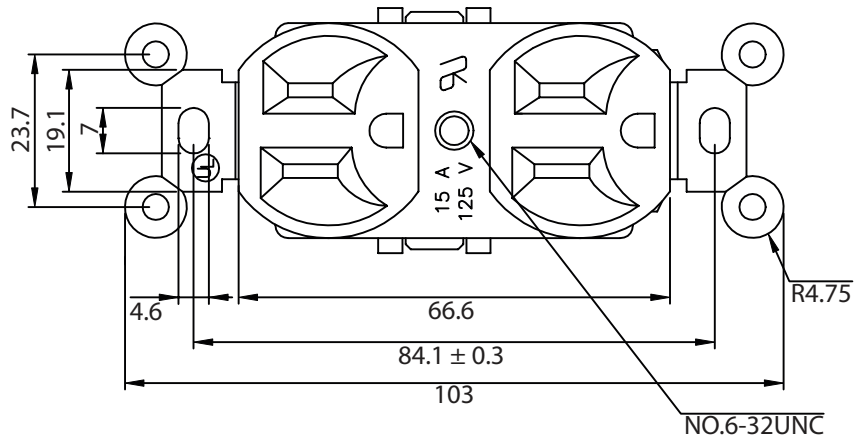


THESE DRAWINGS ARE THE PROPERTY OF QUALTEK ELECTRONICS AND NOT TO BE REPRODUCED FOR OR COMMUNICATED TO A THIRD PARTY WITHOUT THE EXPRESS WRITTEN PERMISSION OF AN OFFICER OF QUALTEK ELECTRONICS.

| REVISION | | | |
|----------|-----------------|----------|----------|
| REV. | DESCRIPTION | DATE | APPROVED |
| B | RoHS Compliancy | 06-01-06 | DP |
| | | | |



NOTES:

USE SOLID 14AWG COPPER WIRE ONLY
 RATING: 15A 125V AC
 APPROVALS: UL,CSA
 COLOR: IVORY
 RoHS COMPLIANT

CONTROLLED

| Dim range (mm) | Tolerance +/- (mm) | Qualtek Electronics Corp. PPC DIVISION | | |
|----------------|--------------------|---|-----------|-----------------|
| | | Part Number: | 740W-C/02 | RoHS Compliant |
| 0-1 | 0.15 | Description: AC RECEPTACLE | | |
| 1-6 | 0.20 | | | |
| 6-18 | 0.30 | | | |
| 18-50 | 0.50 | | | |
| 50-120 | 0.70 | Drawn / Date | UNIT: mm | REV. B |
| 120-250 | 0.90 | Checked / Date | | Approved / Date |
| 250-500 | 1.20 | B.Zhang 06-21-02 | 06-21-02 | JJH / 06-21-02 |