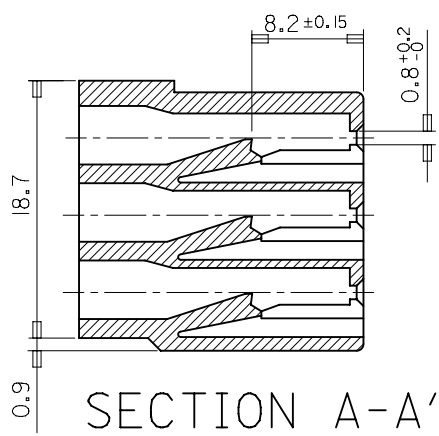
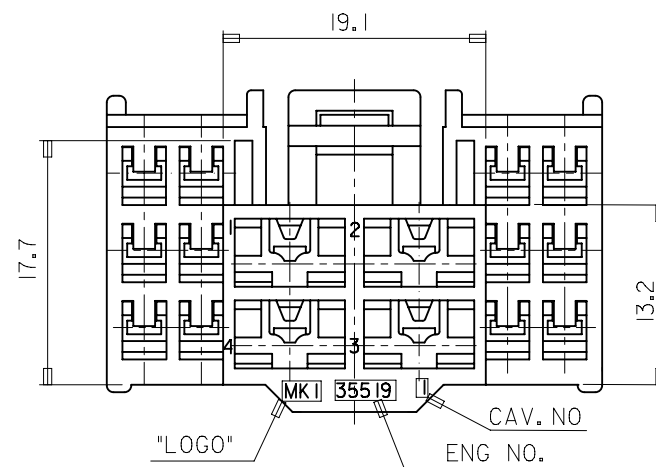
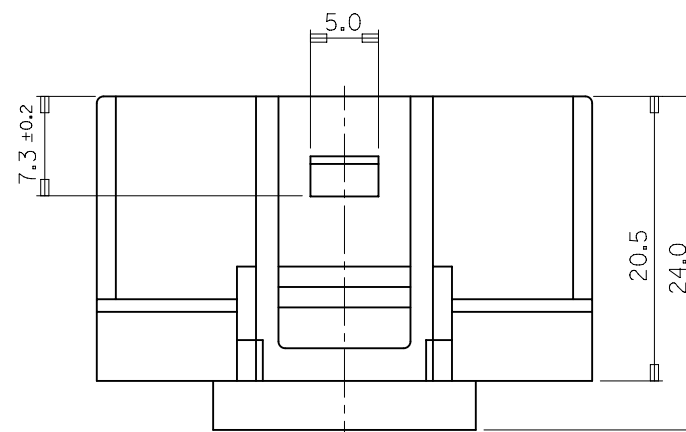
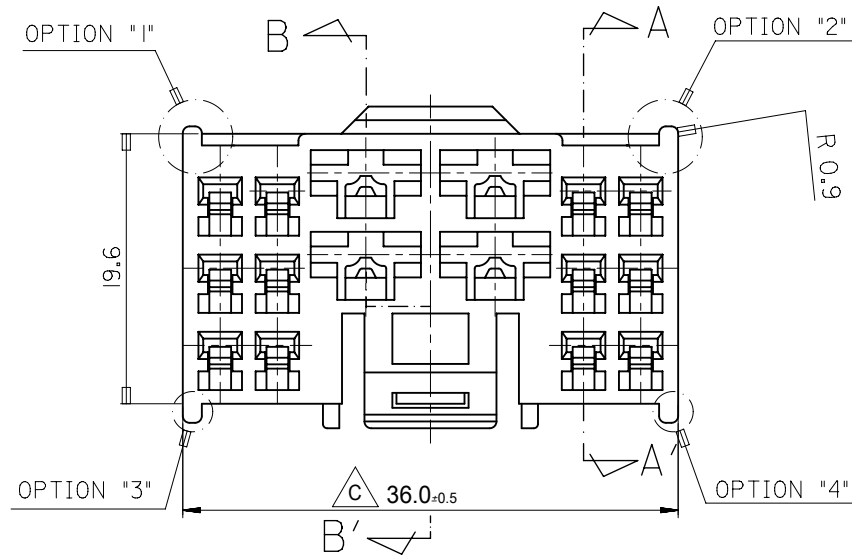


SECTION B-B'

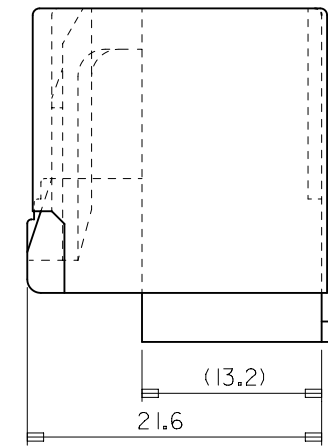


SECTION A-A'



\*TABLE I

PART NO.	COLOR	REMARKS
E 35519-1600	NATERAL	WITH OPTION "2"



NOTE

1. MATERIAL : POLYESTER (P.B.T)
2. COLOR : SEE TABLE I.
3. APPLICABLE TERMINAL : 35407-6\*02/  
35427-9\*\*\*
4. APPLICABLE HOUSING : 35522-240\*/35523-160\*.
5. PRODUCT SPECIFICATION : PS-35519-0001.

THIS DRAWING CONTAINS INFORMATION THAT IS PROPRIETARY TO MOLEX ELECTRONIC TECHNOLOGIES, LLC AND SHOULD NOT BE USED WITHOUT WRITTEN PERMISSION									
DIMENSION UNITS		SCALE		CURRENT REV DESC: OBSOLETE PART NUMBER.				<b>molex</b>	
mm		NTS							
GENERAL TOLERANCES (UNLESS SPECIFIED)				EC NO: 628210		2019/09/16		090/250 HYBRID FEMALE HOUSING (16P)	
4 PLACES		±	±	DRWN: AKUMAR19		2019/12/17		PRODUCT CUSTOMER DRAWING	
3 PLACES		±	±	CHK'D: GGA		2019/12/17		DOCUMENT NUMBER	
2 PLACES		± 0.2	±	APPR: GGA		2019/12/17		SD-35519-160X	
1 PLACE		± 0.3	±	INITIAL REVISION:		2013/09/04		DOC TYPE DOC PART REVISION	
0 PLACES		±	±	DRWN: HIMOON		2013/09/04		PSD 001 D	
ANGULAR TOL		± 1.0°		APPR:				MATERIAL NUMBER CUSTOMER SHEET NUMBER	
DRAFT WHERE APPLICABLE MUST REMAIN WITHIN DIMENSIONS				THIRD ANGLE PROJECTION		DRAWING A3-SIZE		SERIES 35519	
				SEE TABLE				1 OF 1	