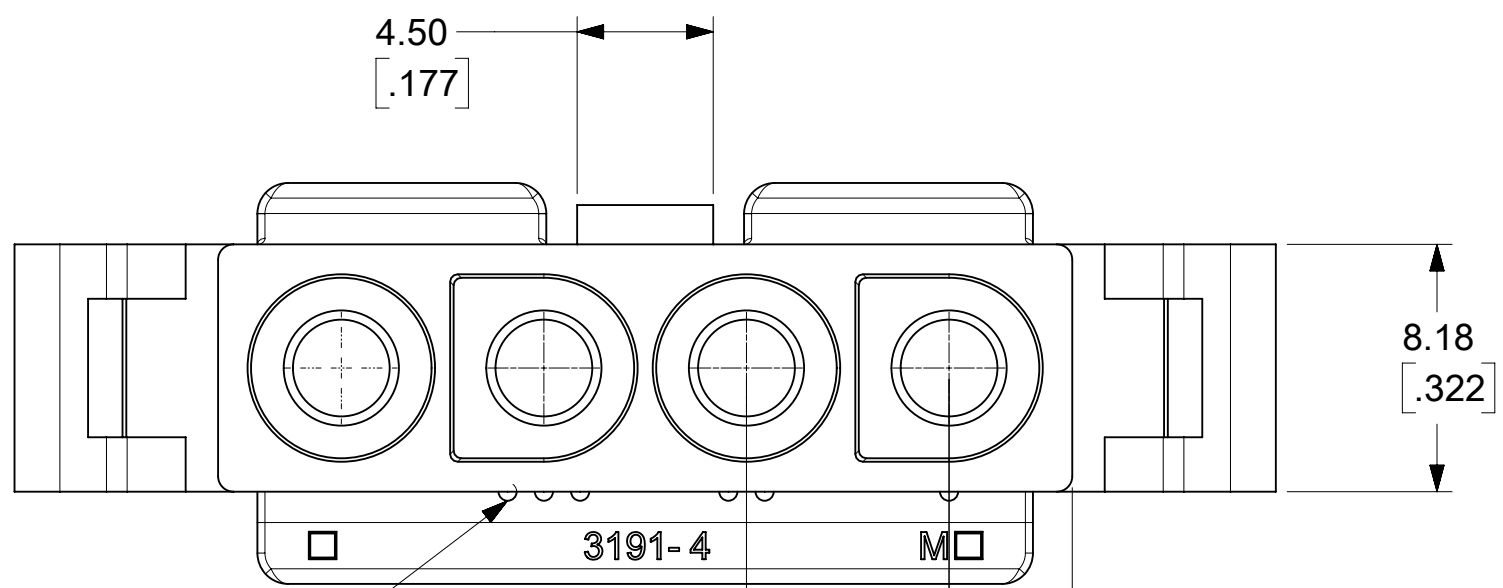


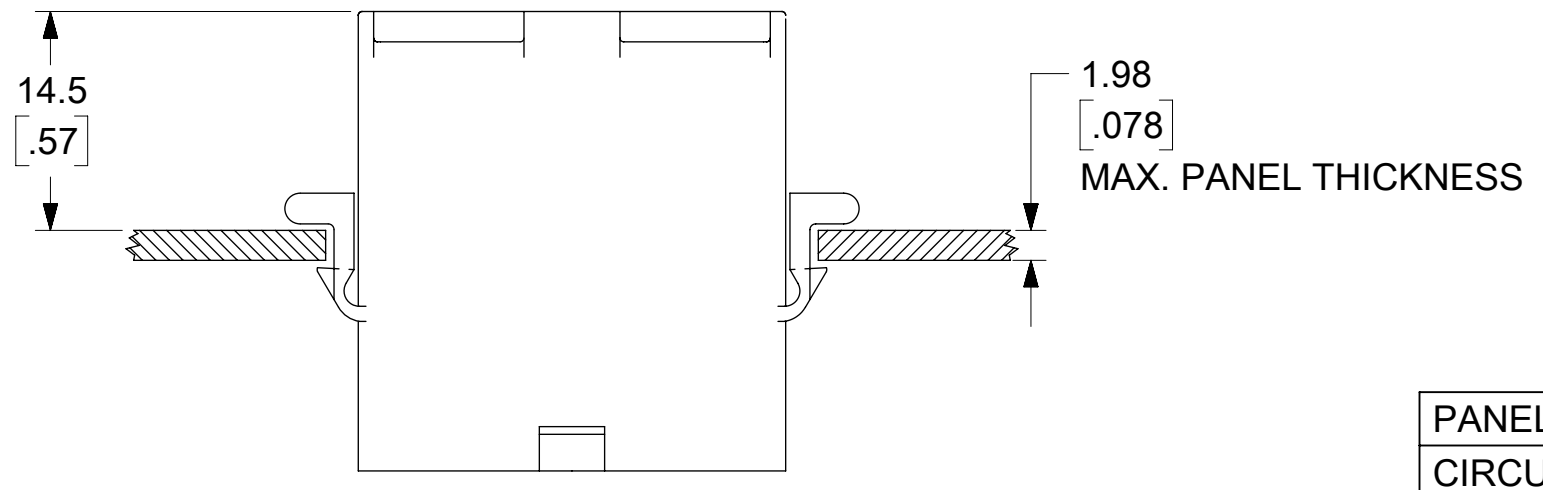
(SHOWN WITH OPTIONAL MOUNTING EARS)

**PLUG**

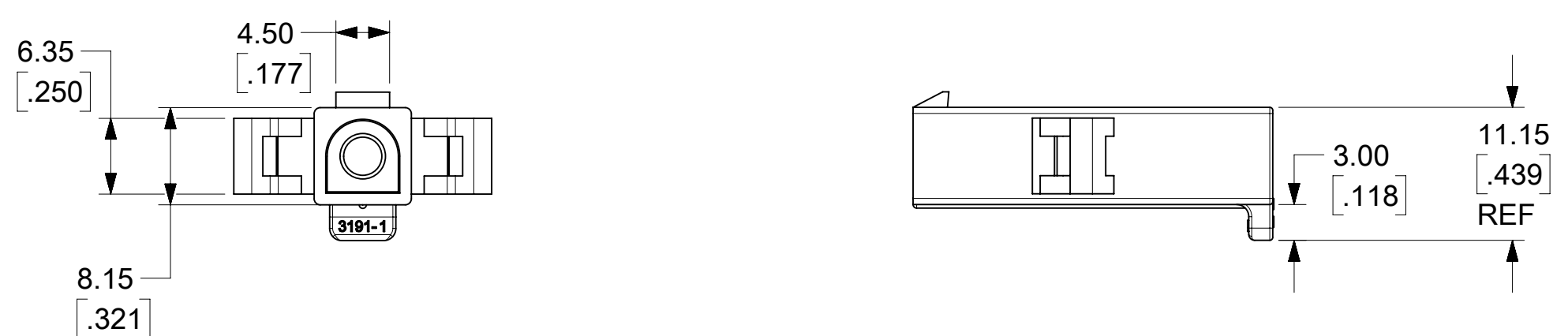
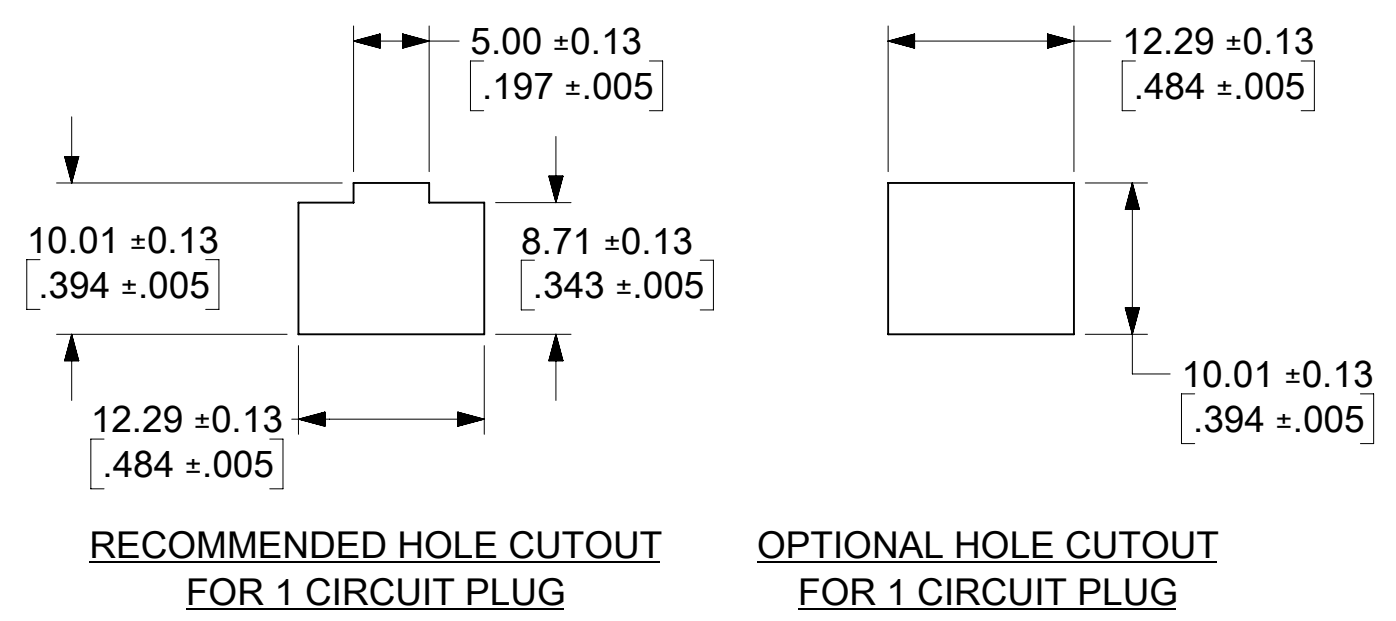
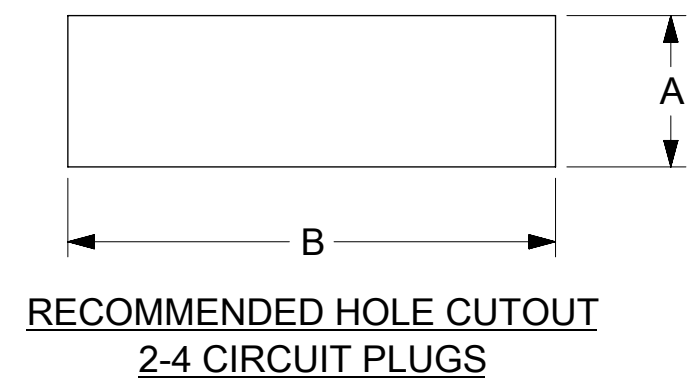


CIRCUIT I.D. RIBS

FUNCTIONAL SYMBOLS	THIS DRAWING CONTAINS INFORMATION THAT IS PROPRIETARY TO MOLEX ELECTRONIC TECHNOLOGIES, LLC AND SHOULD NOT BE USED WITHOUT WRITTEN PERMISSION														
	DIMENSION UNITS		SCALE		CURRENT REV DESC: RELEASED										
	MM/INCH		4:1		EC NO: 643927 DRWN: MKIPPER 2020/06/02 CHK'D: MKIPPER 2022/10/12 APPR: FSMITH 2022/10/14										
	GENERAL TOLERANCES (UNLESS SPECIFIED)														
DIVISIONAL SYMBOLS	4 PLACES ±		±		INITIAL REVISION: DRWN: MKIPPER 2020/06/02 APPR: FSMITH 2022/10/14										
	3 PLACES ±		± 0.01												
	2 PLACES ±		0.25 ± 0.015												
	1 PLACE ±		0.38 ±												
0 PLACES ±		±		PRODUCT CUSTOMER DRAWING DOCUMENT NUMBER: 31910000-SD DOC TYPE: PSD DOC PART: 000 REVISION: A											
ANGULAR TOL ± °		°													
DRAFT WHERE APPLICABLE MUST REMAIN WITHIN DIMENSIONS				THIRD ANGLE PROJECTION		DRAWING		SERIES		MATERIAL NUMBER		CUSTOMER		SHEET NUMBER	
						C-SIZE		3191		SEE CHARTS		GENERAL MARKET		1 OF 4	

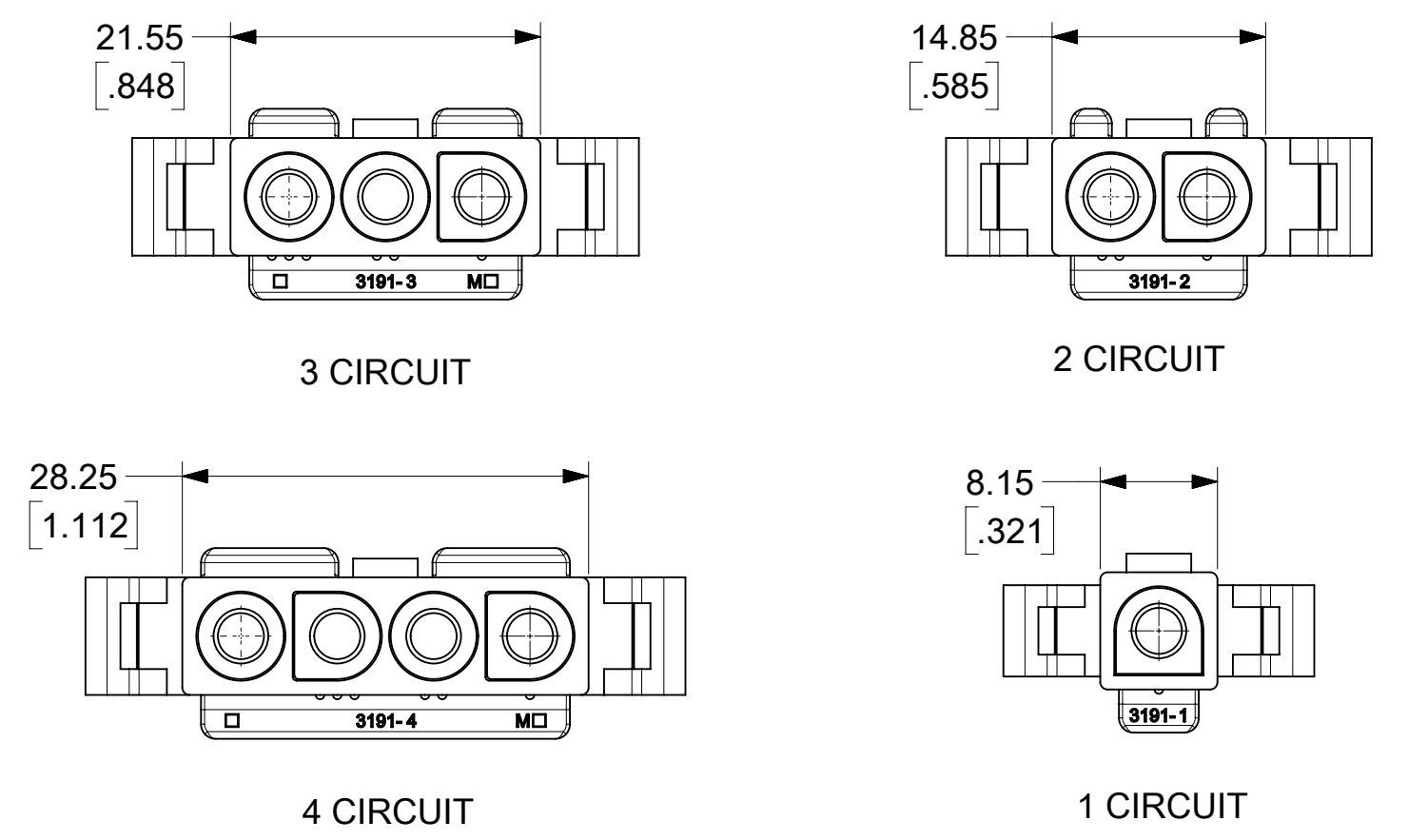


PANEL HOLE CUTOUT DIMENSIONS		
CIRCUITS	DIM. "A"	DIM. "B"
2	9.27 ±0.13 .365 ±.005	20.32 ±0.13 .800 ±.005
3	10.01 ±0.13 .394 ±.005	25.91 ±0.13 1.020 ±.005
4	10.01 ±0.13 .394 ±.005	32.26 ±0.13 1.270 ±.005



THESE DIMENSIONS APPLY TO 1 CIRCUIT PLUG ONLY  
SEE SHEETS 1 FOR OTHER DIMENSIONS.

CIRCUITS	PART NO.	ENG. NO.	MATERIAL	COLOR	MOUNTING EARS	PACKAGING
1	19-09-2018	3191-1P	UL94V-2	NATURAL	YES	31910002-PK
	19-09-2019	3191-1P1	UL94V-2	NATURAL	NO	31910002-PK
	19-09-2017	3191-1P-201	UL94V-0	IVORY	YES	31910002-PK
	19-09-2016	3191-1P1-201	UL94V-0	IVORY	NO	31910002-PK
2	19-09-2028	3191-2P	UL94V-2	NATURAL	YES	31910002-PK
	19-09-2029	3191-2P1	UL94V-2	NATURAL	NO	31910002-PK
	19-09-2027	3191-2P-201	UL94V-0	IVORY	YES	31910002-PK
	19-09-2026	3191-2P1-201	UL94V-0	IVORY	NO	31910002-PK
3	19-09-2038	3191-3P	UL94V-2	NATURAL	YES	31910001-PK
	19-09-2039	3191-3P1	UL94V-2	NATURAL	NO	31910001-PK
	19-09-2037	3191-3P-201	UL94V-0	IVORY	YES	31910002-PK
	19-09-2036	3191-3P1-201	UL94V-0	IVORY	NO	31910002-PK
	19-09-3033	3191-3PBU	UL94V-2	BLUE	YES	31910002-PK
4	19-09-2048	3191-4P	UL94V-2	NATURAL	YES	31910002-PK
	19-09-2049	3191-4P1	UL94V-2	NATURAL	NO	31910002-PK
	19-09-2047	3191-4P-201	UL94V-0	IVORY	YES	31910002-PK
	19-09-2046	3191-4P1-201	UL94V-0	IVORY	NO	31910002-PK



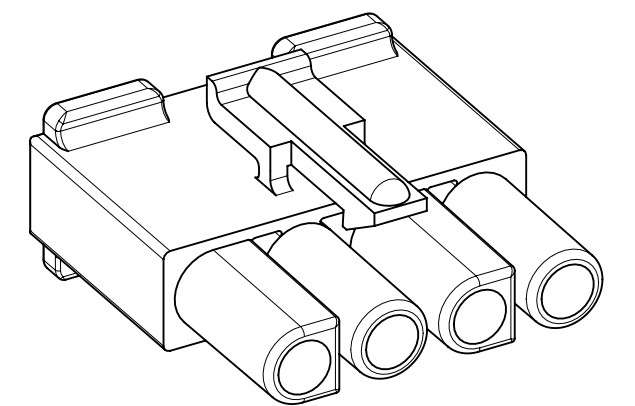
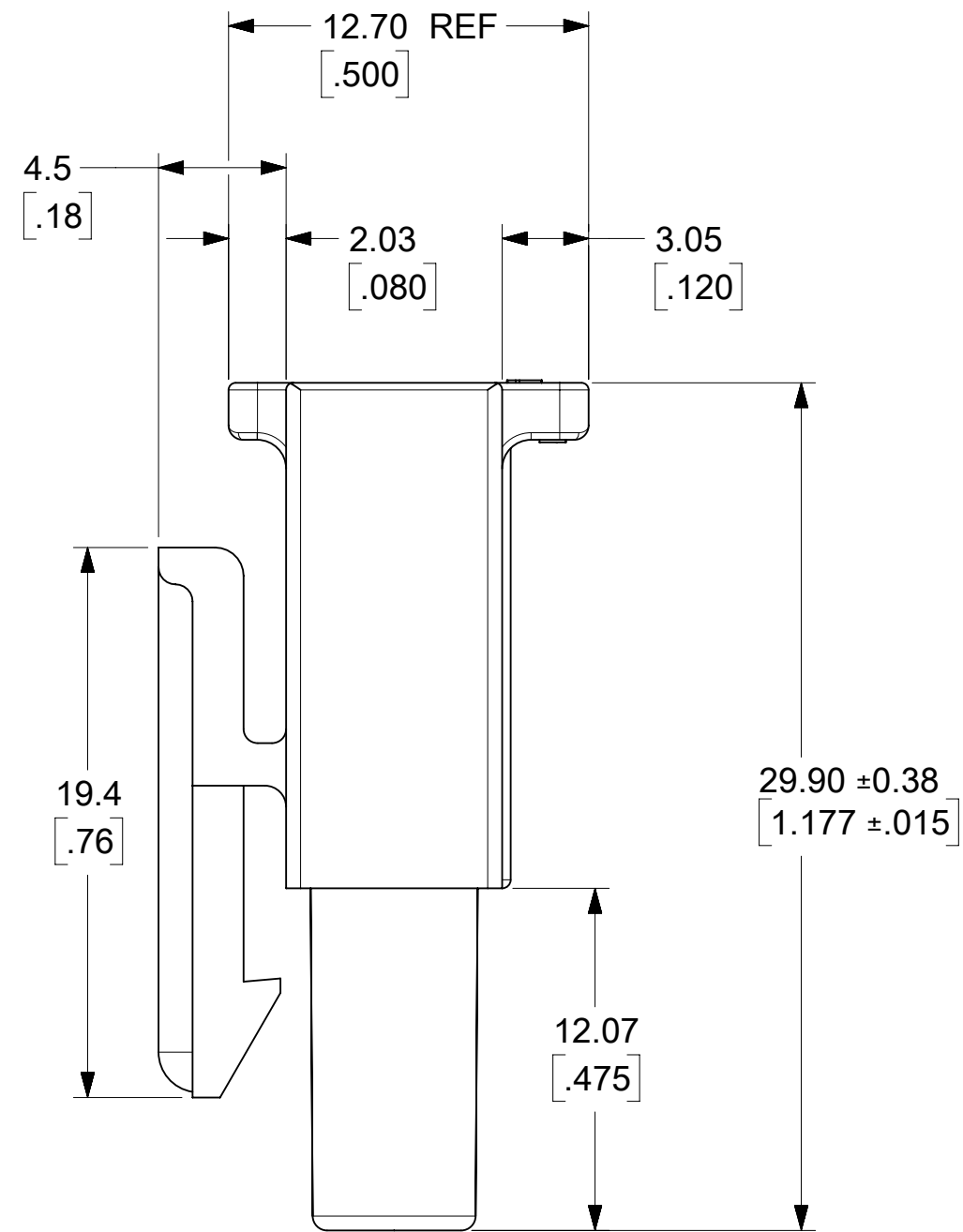
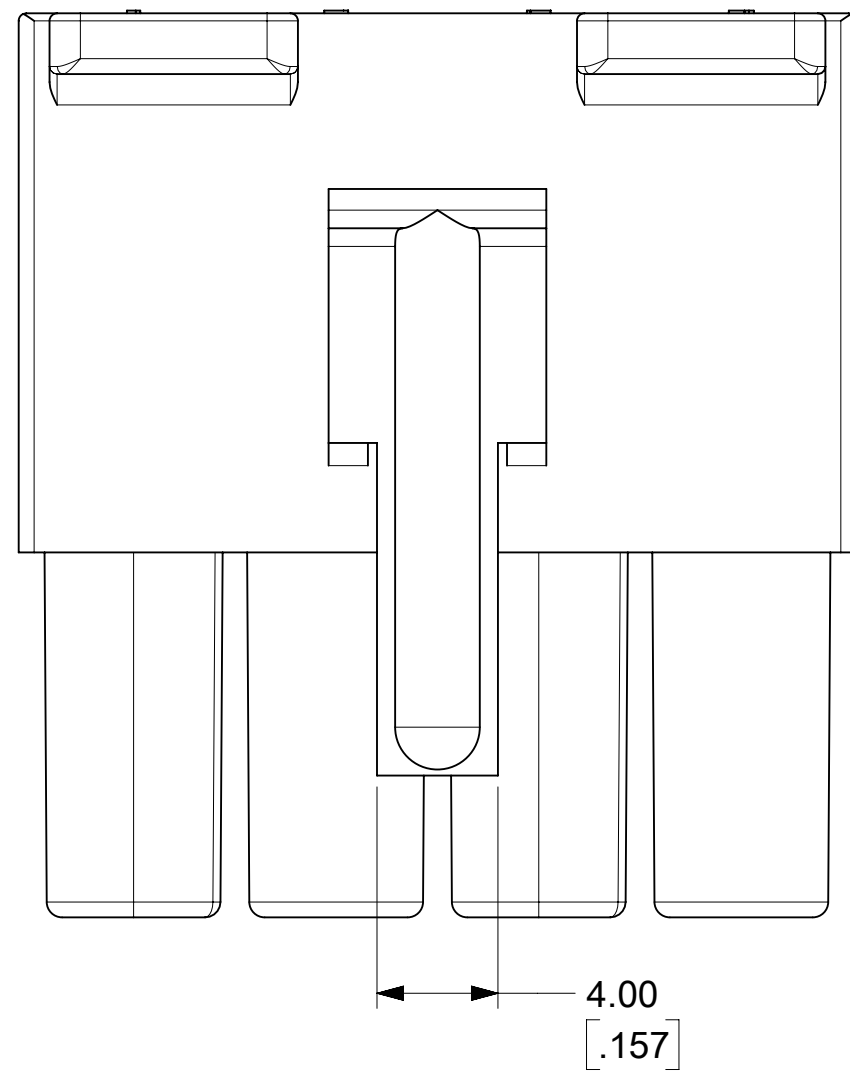
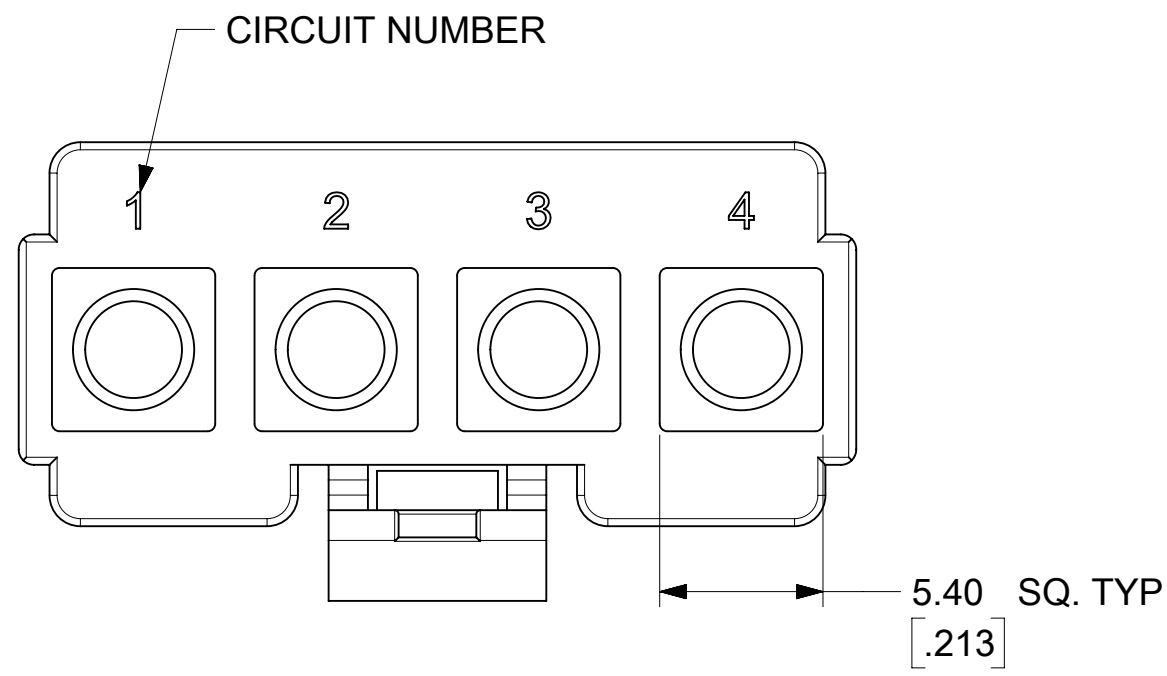
### PLUG POLARIZATION

FUNCTIONAL SYMBOLS	THIS DRAWING CONTAINS INFORMATION THAT IS PROPRIETARY TO MOLEX ELECTRONIC TECHNOLOGIES, LLC AND SHOULD NOT BE USED WITHOUT WRITTEN PERMISSION						
	DIMENSION UNITS	SCALE	CURRENT REV DESC: RELEASED				
$F_A = 0$	MM/INCH	2:1	<p>EC NO: 643927</p> <p>DRWN: MKIPPER 2020/06/02</p> <p>CHK'D: MKIPPER 2022/10/12</p> <p>APPR: FSMITH 2022/10/14</p> <p>INITIAL REVISION:</p> <p>DRWN: MKIPPER 2020/06/02</p> <p>APPR: FSMITH 2022/10/14</p>				
$F_C = 0$	GENERAL TOLERANCES (UNLESS SPECIFIED)						
$F_P = 0$							
DIVISIONAL SYMBOLS	MM	INCH					
	4 PLACES ±	±					
	3 PLACES ±	± 0.01					
	2 PLACES ±	0.25 ± 0.015					
	1 PLACE ±	0.38 ±					
	0 PLACES ±	±					
	ANGULAR TOL ± °						
DRAFT WHERE APPLICABLE MUST REMAIN WITHIN DIMENSIONS		THIRD ANGLE PROJECTION	DRAWING	SERIES	MATERIAL NUMBER	CUSTOMER	SHEET NUMBER
			C-SIZE	3191	SEE CHARTS	GENERAL MARKET	2 OF 4

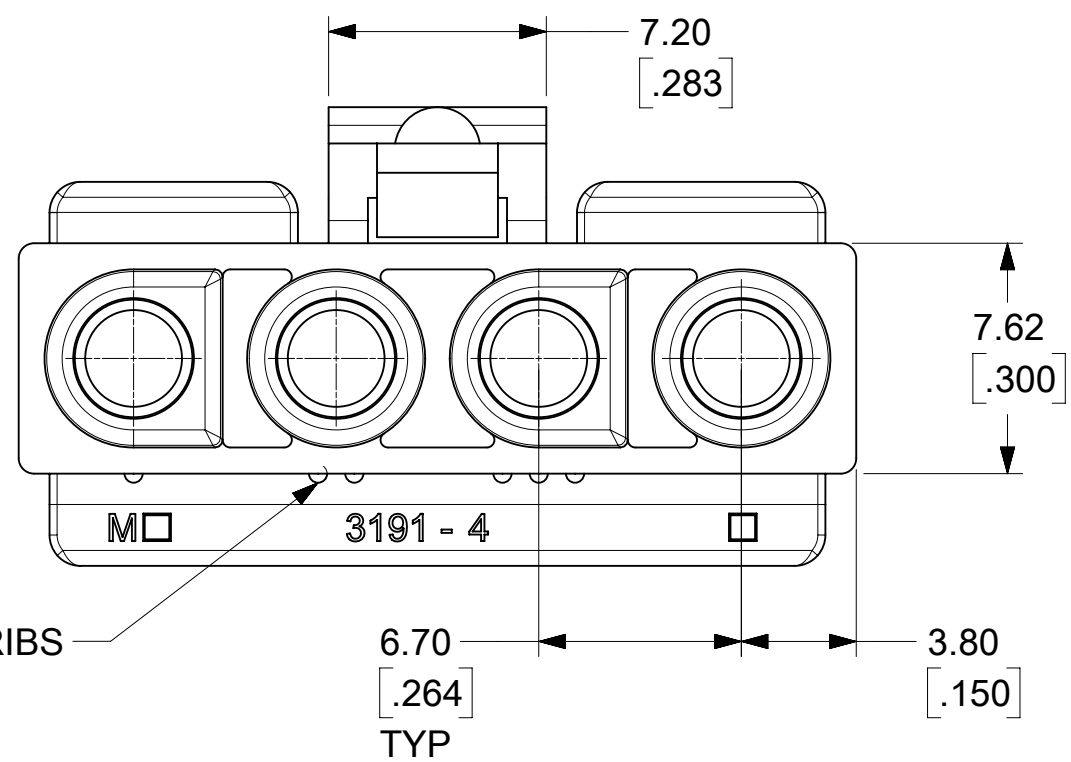
.093/(2.36) PLUG AND RECEPTACLE HOUSINGS  
SINGLE ROW 1-4 CIRCUITS

PRODUCT CUSTOMER DRAWING

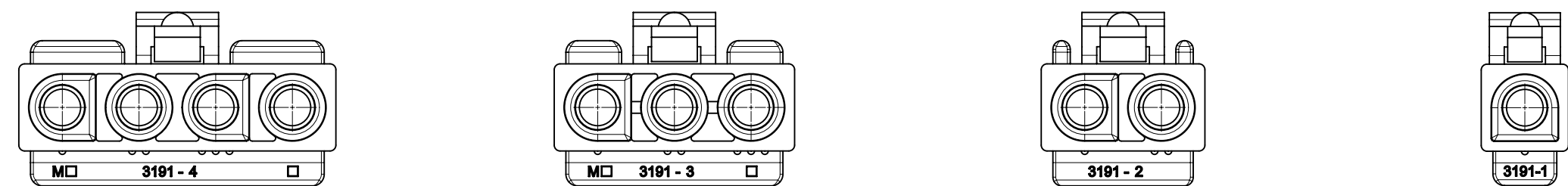
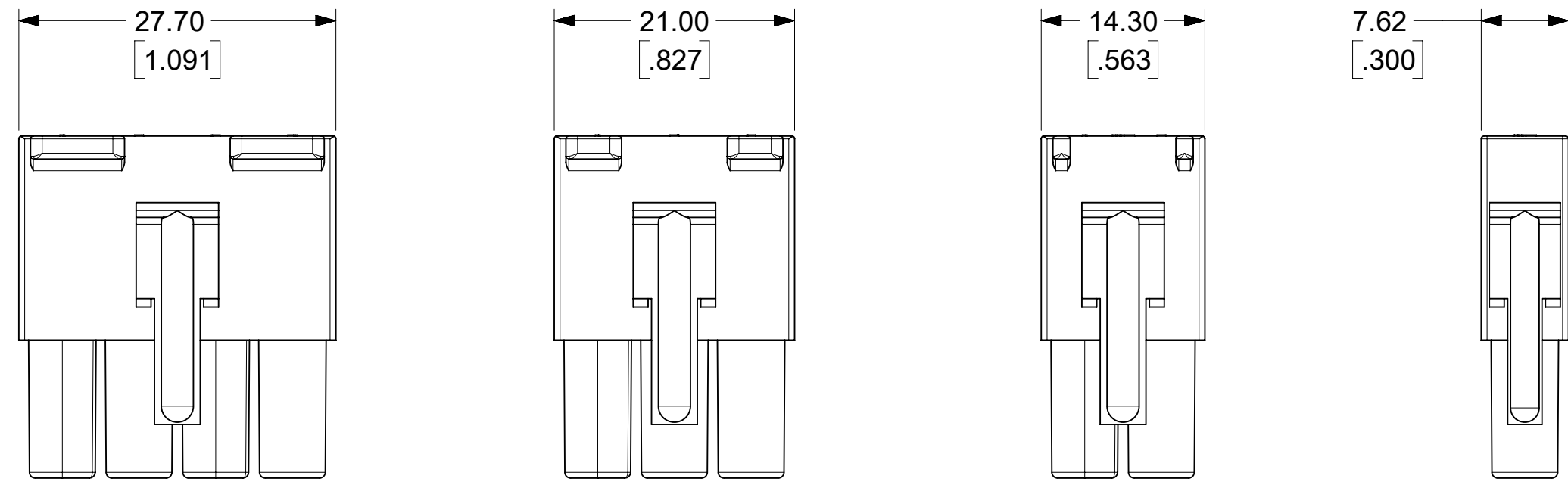
DOCUMENT NUMBER: 31910000-SD    DOC TYPE: PSD    DOC PART: 000    REVISION: A



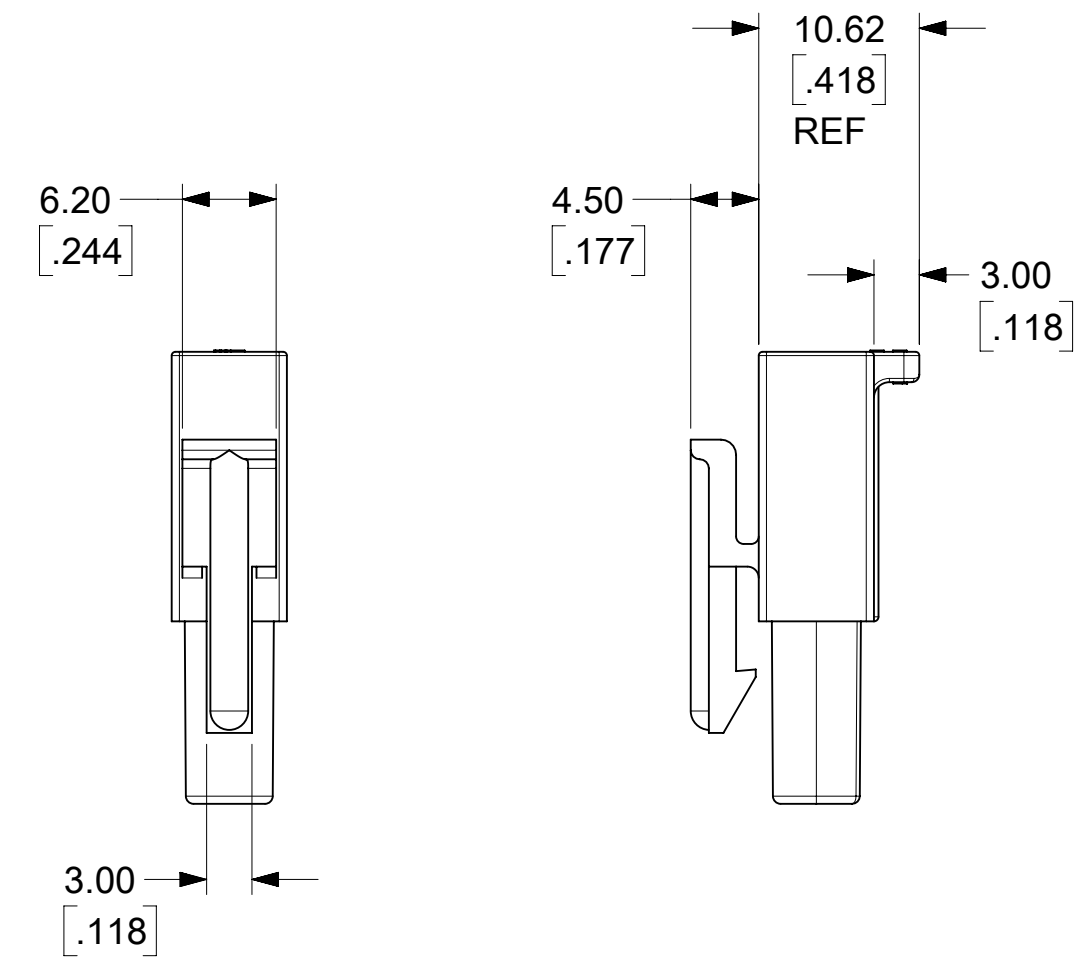
**RECEPTACLE**



FUNCTIONAL SYMBOLS	THIS DRAWING CONTAINS INFORMATION THAT IS PROPRIETARY TO MOLEX ELECTRONIC TECHNOLOGIES, LLC AND SHOULD NOT BE USED WITHOUT WRITTEN PERMISSION			
	DIMENSION UNITS	SCALE		CURRENT REV DESC: RELEASED
$\frac{F}{A} = 0$	MM/INCH	4:1		EC NO: 643927 DRWN: MKIPPER CHK'D: MKIPPER APPR: FSMITH
$\frac{F}{C} = 0$	GENERAL TOLERANCES (UNLESS SPECIFIED)			
DIVISIONAL SYMBOLS		MM	INCH	2020/06/02
	4 PLACES	±	±	2022/10/12
	3 PLACES	±	± 0.01	2022/10/14
	2 PLACES	± 0.25	± 0.015	
	1 PLACE	± 0.38	±	INITIAL REVISION:
	0 PLACES	±	±	DRWN: MKIPPER 2020/06/02
	ANGULAR TOL	± °		2022/10/14
	DRAFT WHERE APPLICABLE MUST REMAIN WITHIN DIMENSIONS	THIRD ANGLE PROJECTION	DRAWING	SERIES
			C-SIZE	3191
DOCUMENT STATUS		P1	RELEASE DATE	2022/10/14 17:29:15
DOCUMENT NUMBER		CUSTOMER		SHEET NUMBER
31910000-SD		GENERAL MARKET		3 OF 4
DOC TYPE		DOC PART	REVISION	
PSD		000	A	



**RECEPTACLE POLARIZATION**



THESE DIMENSIONS APPLY TO 1 CIRCUIT RECEPTACLES ONLY

- NOTES:
1. MATERIAL: NYLON TYPE 6/6. SEE CHART FOR COLOR AND UL94 RATING.
  2. FINISH: NONE
  3. PRODUCT SPECIFICATION PS-02-09
  4. PACKAGING SPECIFICATION: SEE CHART
  5. PARTS CONFORM TO CLASS B REQUIREMENTS OF COSMETIC SPECIFICATION PS-45499-002.

THIS DRAWING REPLACES  
 SD-3191-1X AND SD-3191-1\*  
 SD-3191-2X AND SD-3191-2\*  
 SD-3191-3X AND SD-3191-3\*  
 SD-3191-4X AND SD-3191-4\*

CIRCUITS	PART NO.	ENG. NO.	MATERIAL	COLOR	PACKAGING	MOUNTING EARS
1	19-09-1019	3191-1R1	UL94V-2	NATURAL	31910002-PK	MOUNTING EARS NOT AVAILABLE ON RECEPTACLES
	19-09-1016	3191-1R1-201	UL94V-0	IVORY	31910002-PK	
	19-09-6011	3191-1R1BU	UL94V-2	BLUE	TBD	
2	19-09-1029	3191-2R1	UL94V-2	NATURAL	31910002-PK	
	19-09-1026	3191-2R1-201	UL94V-0	IVORY	31910002-PK	
3	19-09-1039	3191-3R1	UL94V-2	NATURAL	31910001-PK	
	19-09-1036	3191-3R1-201	UL94V-0	IVORY	31910002-PK	
	19-09-5039	3191-3R1-2	UL94V-0	WHITE	31910001-PK	
4	19-09-1049	3191-4R1	UL94V-2	NATURAL	31910001-PK	
	19-09-1046	3191-4R1-201	UL94V-0	IVORY	31910002-PK	

FUNCTIONAL SYMBOLS	THIS DRAWING CONTAINS INFORMATION THAT IS PROPRIETARY TO MOLEX ELECTRONIC TECHNOLOGIES, LLC AND SHOULD NOT BE USED WITHOUT WRITTEN PERMISSION									
FA = 0	DIMENSION UNITS	SCALE	CURRENT REV DESC: RELEASED							
FC = 0	MM/INCH	2:1	<b>molex</b> .093/(2.36) PLUG AND RECEPTACLE HOUSINGS SINGLE ROW 1-4 CIRCUITS PRODUCT CUSTOMER DRAWING							
FP = 0	GENERAL TOLERANCES (UNLESS SPECIFIED)									
DIVISIONAL SYMBOLS			EC NO: 643927	2020/06/02	DOCUMENT NUMBER: <b>31910000-SD</b> DOC TYPE: PSD DOC PART: 000 REVISION: A					
			DRWN: MKIPPER	2022/10/12						
			CHK'D: MKIPPER	2022/10/14	MATERIAL NUMBER: SEE CHARTS CUSTOMER: GENERAL MARKET SHEET NUMBER: 4 OF 4					
			APPR: FSMITH	2022/10/14						
			INITIAL REVISION:		THIRD ANGLE PROJECTION:  DRAWING: C-SIZE SERIES: 3191					
			DRWN: MKIPPER	2020/06/02						
			APPR: FSMITH	2022/10/14	DRAFT WHERE APPLICABLE MUST REMAIN WITHIN DIMENSIONS					