

THIS DRAWING IS UNPUBLISHED.

RELEASED FOR PUBLICATION

© COPYRIGHT BY TYCO ELECTRONICS CORPORATION. ALL RIGHTS RESERVED.

LOC DIST
AJ 16

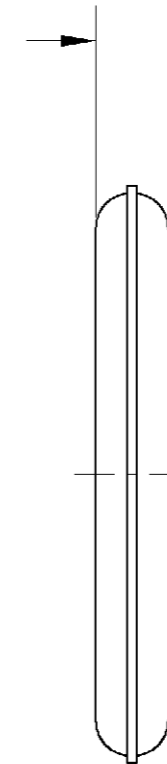
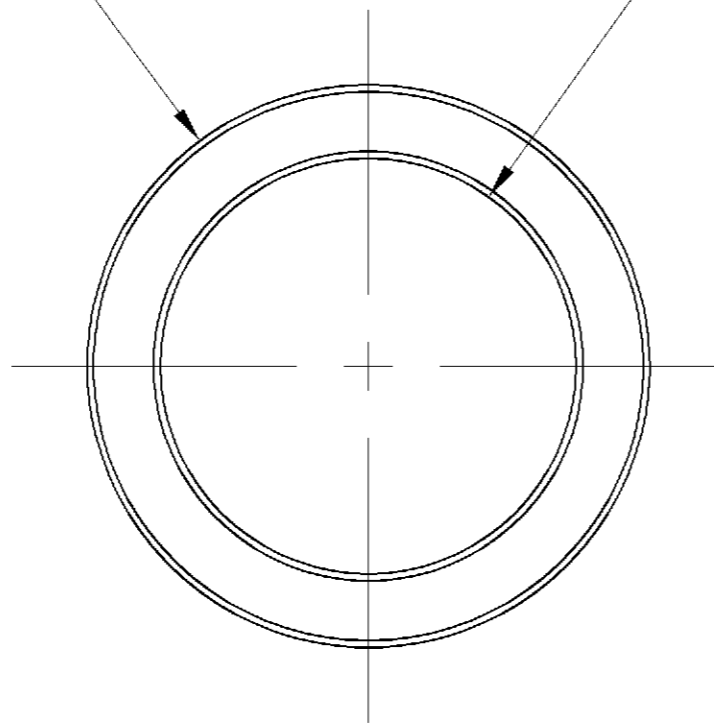
REVISIONS

P	LTR	DESCRIPTION	DATE	DWN	APVD
0		RELEASED PER OS14-0176-02.	-	JGH	JGH

∅.245
[∅6.22]
REF

∅.181
[∅4.60]

.032 [0.81]



COLOR	MATERIAL	PART NUMBER
BLUE	FLOUROSILICONE PER MIL-R-25988, CLASS I, TYPE I	1405027-2
BLACK	BUNA N (NITRILE) PER MIL-P-25732	1405027-1

THIS DRAWING IS A CONTROLLED DOCUMENT.		DWN J. HAVENER 17APR2002	tyco Tyco Electronics Corporation													
DIMENSIONS: INCHES [mm]		CHK J. HAVENER 25APR02	Electronics Harrisburg, PA 17105-3608													
TOLERANCES UNLESS OTHERWISE SPECIFIED:		APVD J. HAVENER 25APR02	NAME GASKET, O-RING, OSP (4500-26)													
<table border="0"> <tr><td>0 PLC</td><td>± -</td></tr> <tr><td>1 PLC</td><td>± -</td></tr> <tr><td>2 PLC</td><td>± .005 [0.13]</td></tr> <tr><td>3 PLC</td><td>± -</td></tr> <tr><td>4 PLC</td><td>± -</td></tr> <tr><td>ANGLES</td><td>± -</td></tr> </table>		0 PLC	± -	1 PLC	± -	2 PLC	± .005 [0.13]	3 PLC	± -	4 PLC	± -	ANGLES	± -	PRODUCT SPEC N/A	SIZE A3	
0 PLC	± -															
1 PLC	± -															
2 PLC	± .005 [0.13]															
3 PLC	± -															
4 PLC	± -															
ANGLES	± -															
MATERIAL SEE TABLE		FINISH N/A	CAGE CODE 00779	DRAWING NO C-1405027												
		WEIGHT -	RESTRICTED TO -													
		CUSTOMER DRAWING		SCALE 12:1 SHEET 1 OF 1 REV 0												