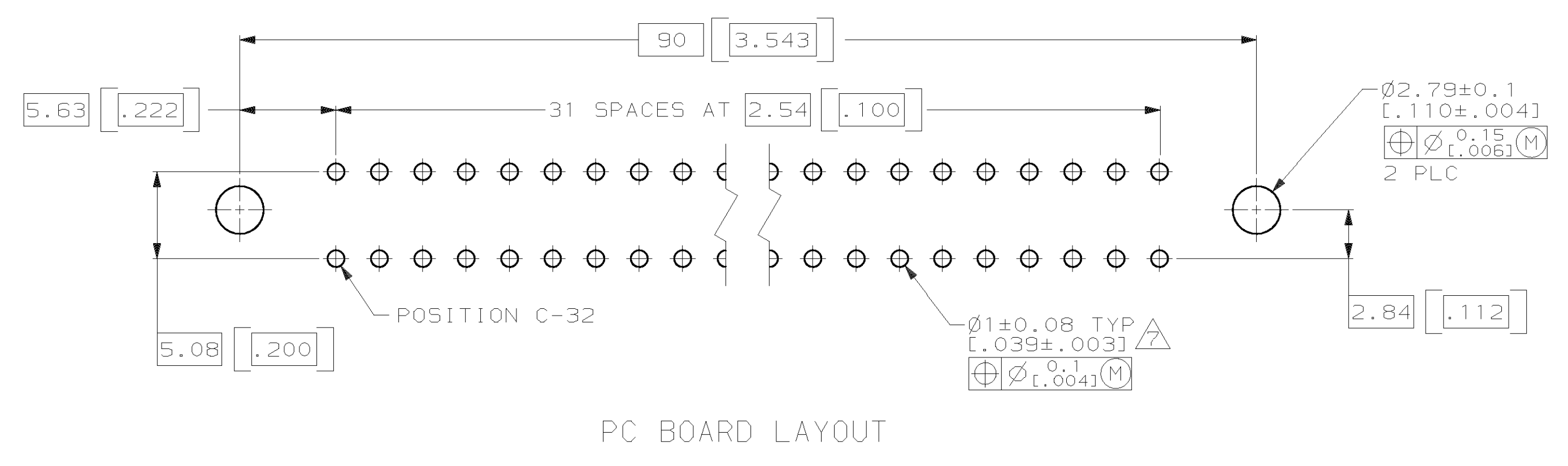
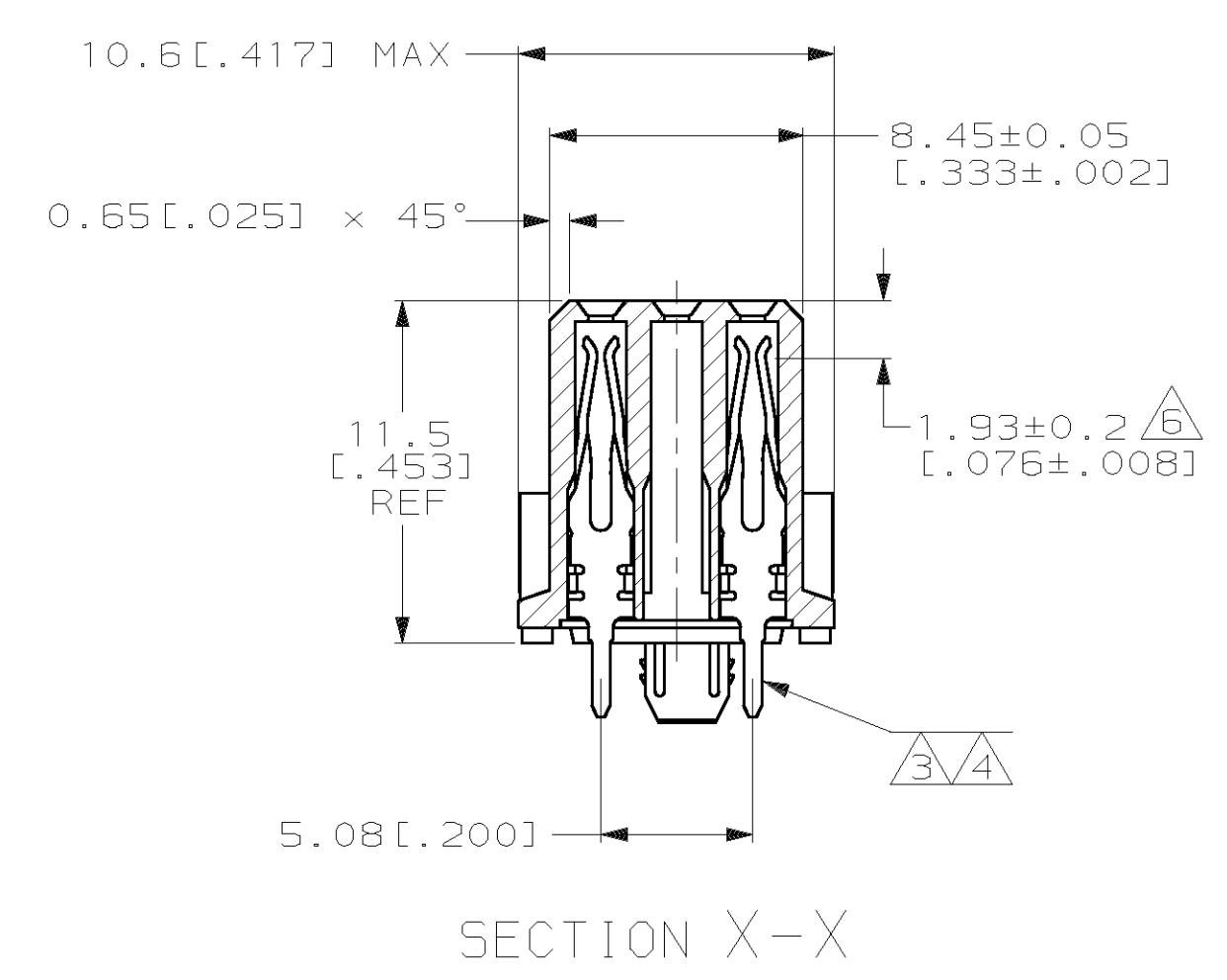
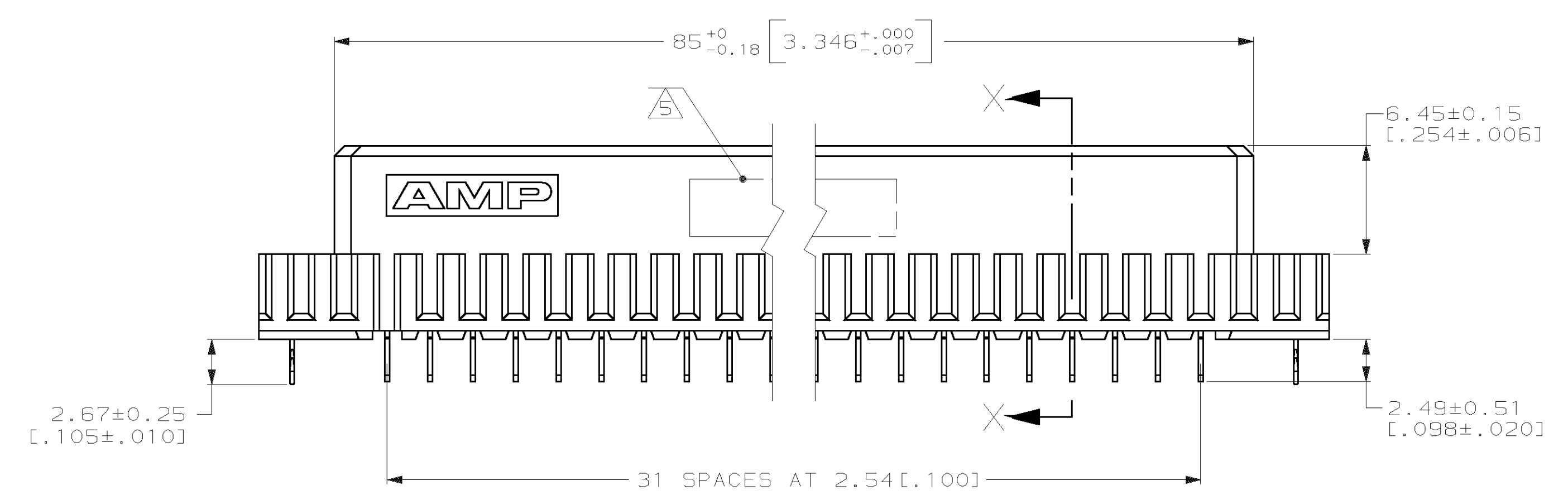
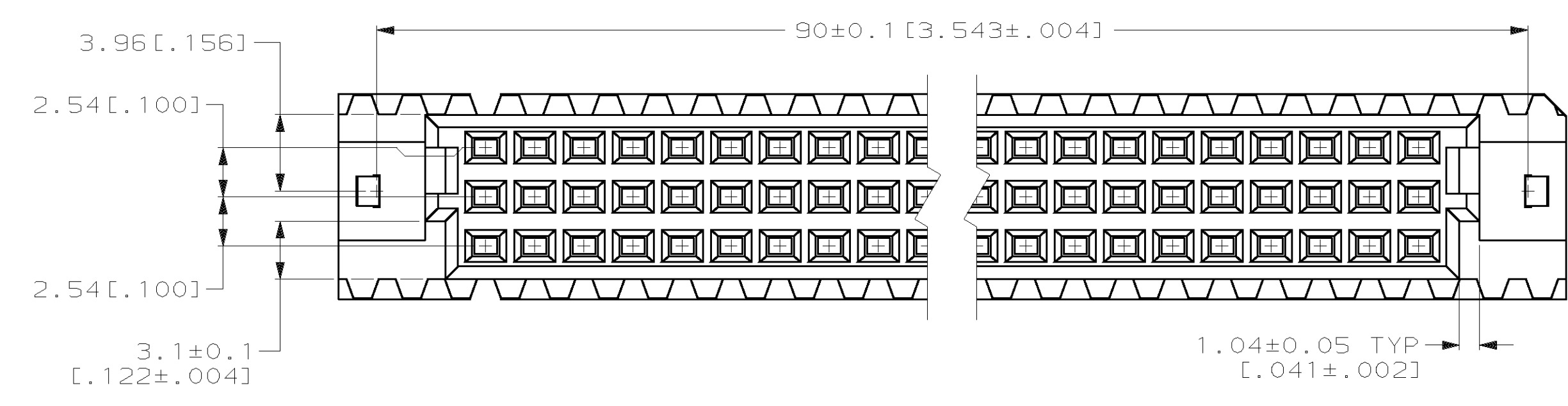


LOC	DIST	P	F	ZONE	LTR	DESCRIPTION	DATE	APPD
AD	25					REVISIONS		
						0 DRAWN		
						A EC 0010-1241-95	11/1/95	CR
						B EC 0010-1431-95	1/17/96	RAP
						C EC 0010-1491-95	4/1/96	CR
						D REV PER EC 001B-0367-00	04 JAN 01	CR



- 1 HOUSING MATERIAL: GLASS-FILLED POLYESTER. COLOR: GRAY.
- 2 CONTACT MATERIAL: PHOSPHOR BRONZE.
- 3 CONTACT FINISH: DIN 41612 CLASS 2 IN CONTACT AREA. TIN-LEAD ON POSTS.
- 4 CONTACT FINISH: DIN 41612 CLASS 3 IN CONTACT AREA. TIN-LEAD ON POSTS.
- 5 PART NUMBER, DATE CODE IDENTIFICATION, CSA LOGO IN THIS APPROXIMATE AREA.
- 6 CONTACT POINT.
- 7 RECOMMENDED HOLE SIZE FOR MANUAL APPLICATION OF CONNECTOR ONTO PC BOARD.

OBSOLETE	REVISION	POSITIONS LOADED	ROWS LOADED			NO. OF LOADED POSITION	ASSY PART NUMBER
			C	B	A		
	4	1-32	X	-	X	64	536481-9
	3	1-32	X	-	X	64	536481-5
SUPERSEDED BY 536481-5	3	1-32	X	-	X	64	536481-4

DO NOT SCALE PRINT. UNLESS SPECIFIED DIMENSIONS IN mm [INCHES] TOLERANCES ON: 1 PLC DEC ± - 2 PLC DEC ± 0.13 [0.005] ANGLES ± -	DR L. BRINER 10/19/92 CHK R. PATTERSON 10/28/92 APPD R. PATTERSON 10/28/92 APPD D.C. RUBENDALL 10/29/92	AMP INCORPORATED Harrisburg, Pa. 17105		
MATERIAL HSG △ CONTACT △	PRODUCT SPEC -	RECEPTACLE ASSEMBLY, EUROCARD, TYPE "C" WITH BOARD-LOCKS		
FINISH CONT △△	APPLICATION SPEC -	SIZE D	FSCM NO 00779	DRAWING NO 536481
WEIGHT -	-	SCALE 4:1	SHEET 1 OF 1	