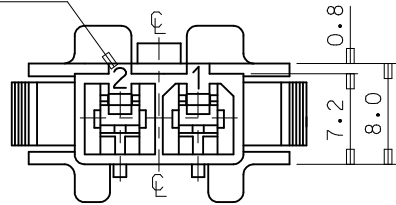
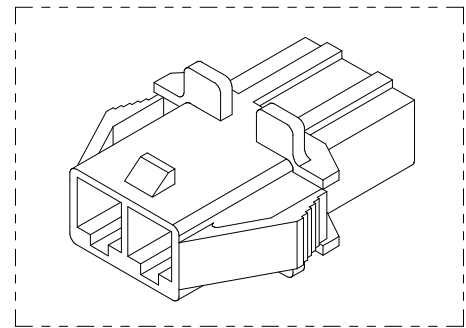
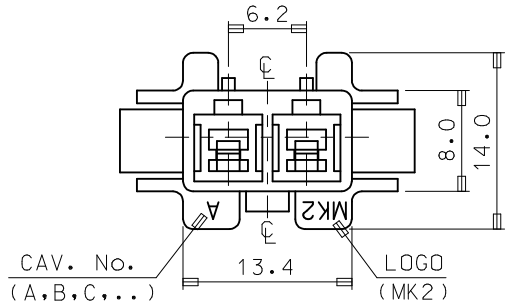


10 9 8 7 6 5 4 3 2 1

CIRCUIT No.

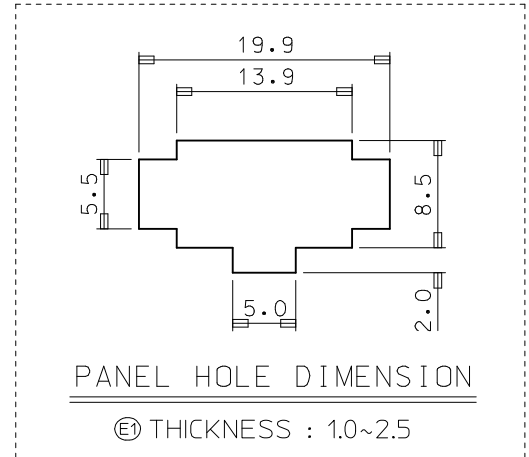
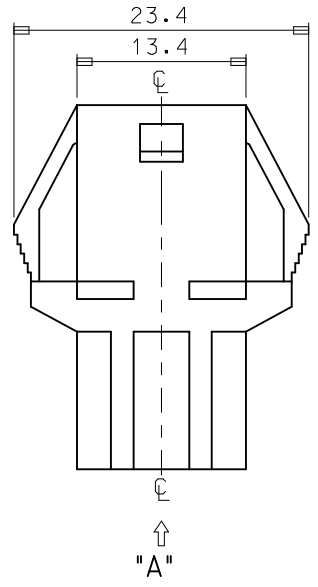
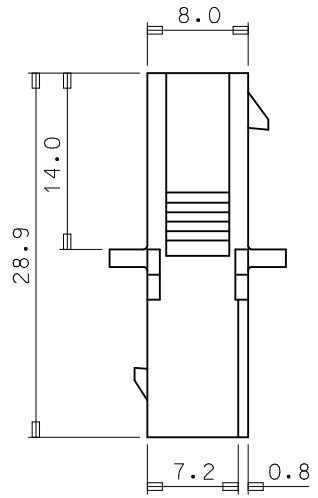


VIEW "A"



NOTES

1. MATERIAL & COLOR : SEE TABLE
2. MATING HOUSING : 35151-021\*
3. APPLICABLE TERMINAL : 35745-0\*10
- ④ 4. APPLICABLE TPA : 35150-029\*



NO	PRODUCT		MATERIAL	
	PART NO	MATERIAL NO	COLOR	DESCRIPTION
1	35150-0210	351500210	NATURAL	PBT (UL94V-0)
2	35150-0212	351500212	RED	
3	35150-0214	351500214	BLUE	
4	35150-0219	351500219	NATURAL	PC/PET (UL94V-0)
5	35150-2219	351502219	RED	
6	35150-3219	351503219	YELLOW	
7	35150-4219	351504219	BLUE	

<b>REVISED</b> EC NO: KOR2014-0009 DRWN: JSSHIN 2013/07/19 CHKD: SHCHU 2013/07/19 APPR: YSKIMO2 2013/09/03	QUALITY SYMBOLS ▽=0 ◻=0	GENERAL TOLERANCES (UNLESS SPECIFIED)		DIMENSION STYLE <b>MM ONLY</b>		SCALE <b>2/1</b>	DESIGN UNITS <b>METRIC</b>	THIRD ANGLE PROJECTION			
				mm	INCH	DRAWN BY JS.KANG	DATE 1992/09/14	TITLE <b>6.2 PITCH W/W CONN MALE HSG-2P(W/EAR)</b>			
				4 PLACES	± ---	± ---	CHECKED BY BK.CHOI	DATE 1992/09/14	MOLEX INCORPORATED DOCUMENT NO. SD-35150-0210 SHEET NO. 1 OF 01		
				3 PLACES	± ---	± ---	APPROVED BY CW.LEE	DATE 1992/09/14			
		2 PLACES	± ---	± ---	MATERIAL NO.		DRAFT WHERE APPLICABLE MUST REMAIN WITHIN DIMENSIONS				
		1 PLACE	± 0.2	± ---	SEE TABLE		THIS DRAWING CONTAINS INFORMATION THAT IS PROPRIETARY TO MOLEX INCORPORATED AND SHOULD NOT BE USED WITHOUT WRITTEN PERMISSION				
		ANGULAR ± 1 °		SIZE A3							

9 8 7 6 5 4 3 2 1