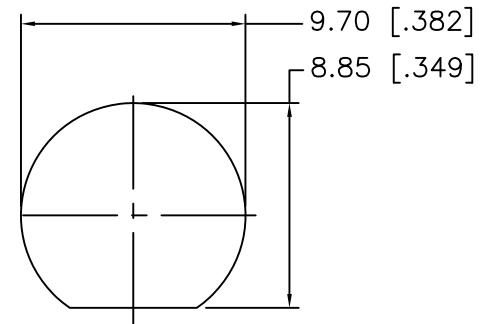
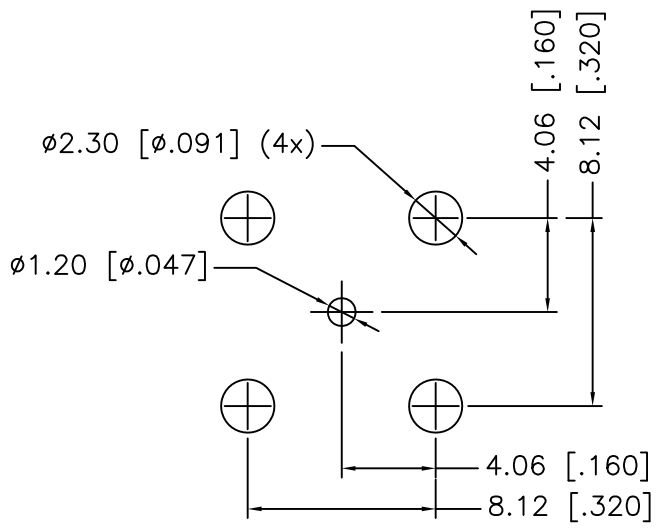
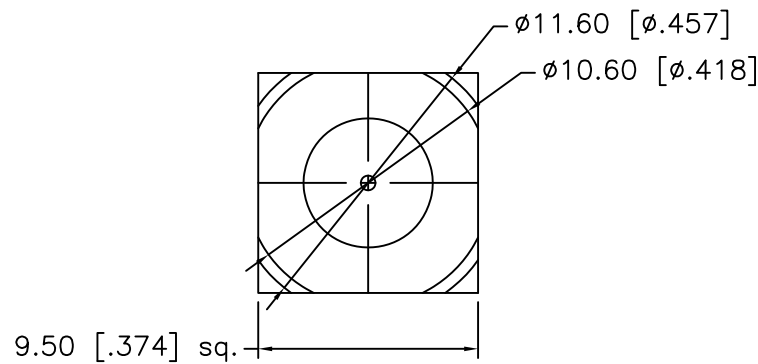
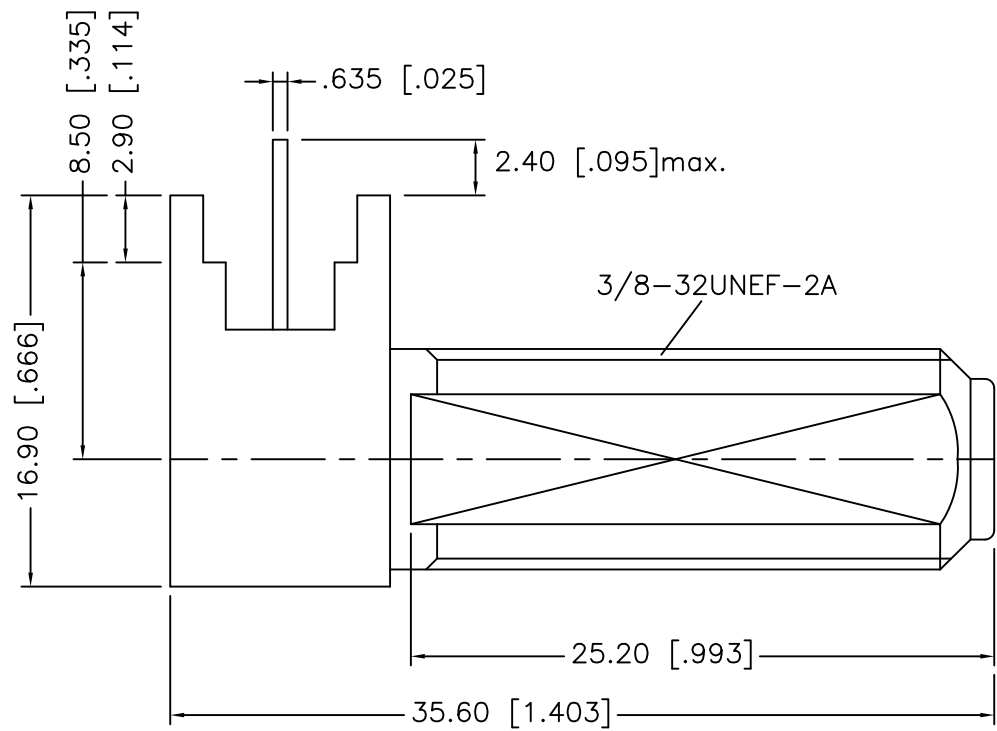


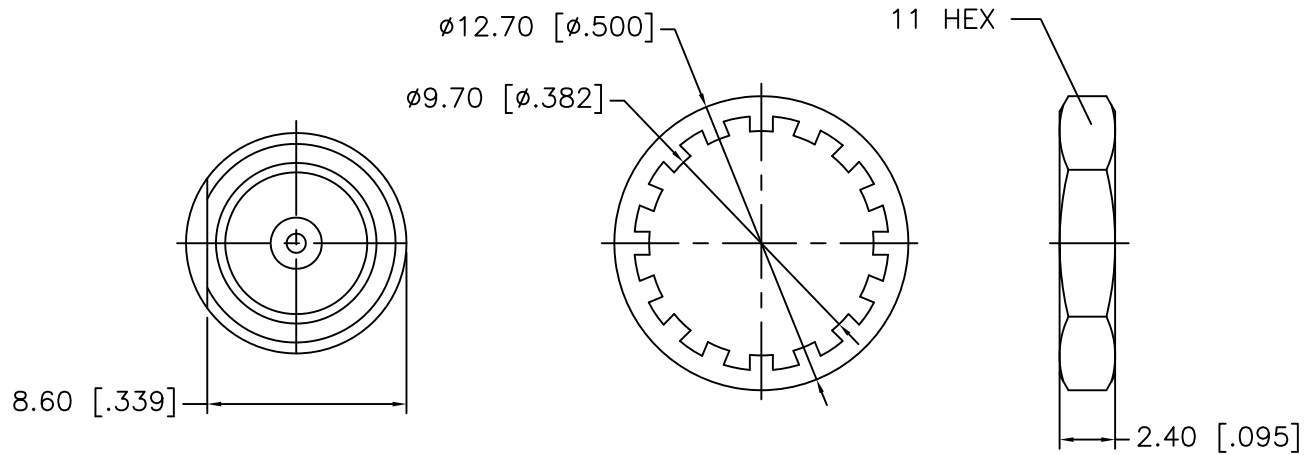
REV.	DATE	ECR	DESCRIPTION
NC	08/22/07	XXXXXX	INITIAL RELEASE
A	08/22/14	2797	ITEM 2 & 3 WERE BRIGHT TIN PLT



PANEL CUTOUT



PCB MOUNTING PATTERN



8.60 [.339]

2.40 [.095]

Amphenol Connex

PART DESCRIPTION

F SERIES R/A PCB RECEPTACLE
WITH NUT AND WASHER

PART NO.

222128-11

DWG. NO.

222128-11.DWG

REV.

A

SIZE

A

SCALE

NA

UNLESS OTHERWISE SPECIFIED DIMENSIONS ARE IN MILLIMETERS. DIMENSIONS IN [] ARE IN INCHES AND FOR CUSTOMER REFERENCE ONLY.

UNLESS OTHERWISE SPECIFIED TOLERANCES FOR MILLIMETERS ARE:
0.5 - 8mm ± 0.20mm
8 - 30mm ± 0.40mm
30 - 120mm ± 0.50mm

UNLESS OTHERWISE SPECIFIED TOLERANCES FOR INCHES ARE:
.020 - .315 = ± 0.007"
.315 - 1.180 = ± 0.015"
1.180 - 4.724 = ± 0.020"

DO NOT SCALE DRAWING

APPROVALS

DATE

DRAWN G.R.S.

08/22/07

CHECKED

ISSUED

SHEET

1 OF 1

CAD FILE

C:/222/222128-11.DWG

QTY	FINISH	MATERIAL	DESCRIPTION
1	NICKEL	BRASS	BODY
1	GOLD	BRASS	CONTACT PIN
2	NATURAL	POLY PRO	INSULATOR
2	NATURAL	DELRIN	INSULATOR
1	NICKEL	SS41	LOCK WASHER
1	NICKEL	BRASS	HEX NUT