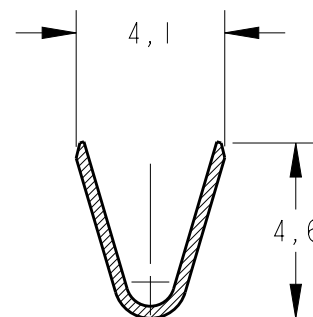
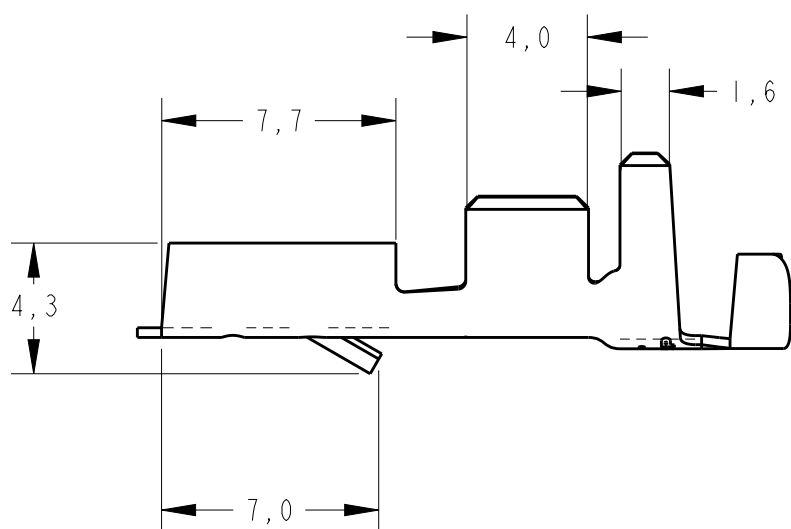
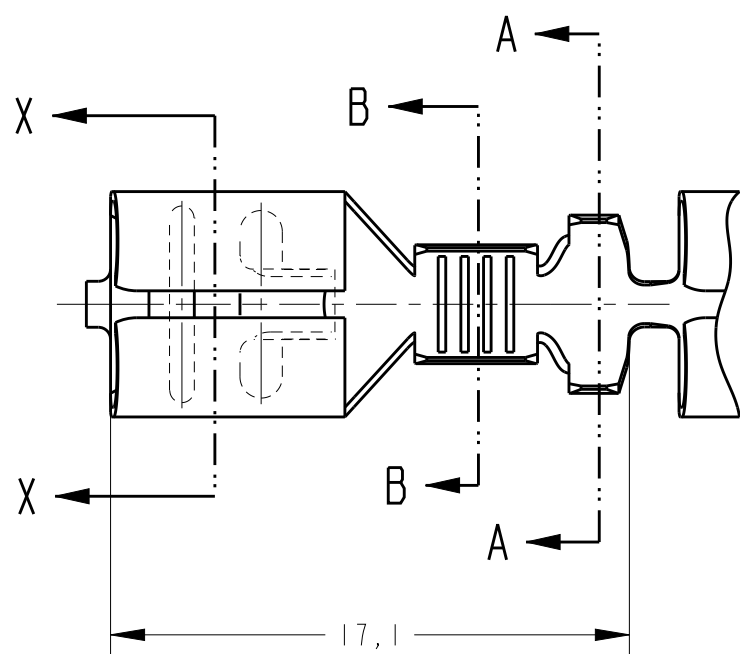
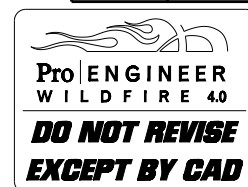


LOC
AP

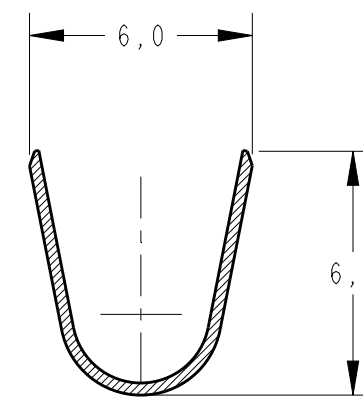
DIST
-

REVISIONS

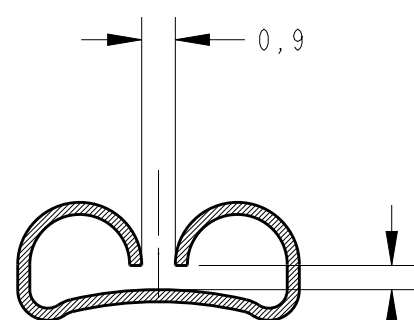
P	LTR	DESCRIPTION	DATE	DWN	APVD
	AGI	REVISED BY ECO 16-003725	23JUN2016	HC	WLS



SECTION B-B
SCALE 5:1

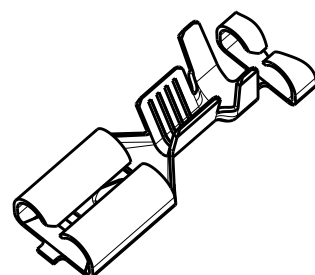


SECTION A-A
SCALE 5:1



SECTION X-X
SCALE 5:1

PARA LINGUETA
DE 0,8mm ESPESSURA
FOR 0,8mm TAB



PERSPECTIVE VIEW
SCALE 2:1

OBSOLETE	PLATEADO/SILVER PLATED	LATÃO / BRASS	735222 5
	ESTANHADO / TIN PLATED	BRONZE FOSF./PHOSP BRONZE	735222 4
		BRONZE FOSF./PHOSP BRONZE	735222 3
	ESTANHADO / TIN PLATED	LATÃO / BRASS	735222 2
		LATÃO / BRASS	735225 -1
	FINISH	MATERIAL	PART NUMBER

INS. RANGE	WIRE RANGE
Ø 3,0-5,0mm	2,0-4,0mm ²

THIS DRAWING IS A CONTROLLED DOCUMENT.		DWN NCLAPRESA 29APR2013
DIMENSIONS: mm		CHK JRGOLDSCHMIDT 29APR2013
TOLERANCES UNLESS OTHERWISE SPECIFIED:		APVD DAOLIVEIRA 29APR2013
0 PLC ±-	±0,3	PRODUCT SPEC 108-37015
1 PLC ±-	±-	APPLICATION SPEC 114-18022
2 PLC ±-	±-	WEIGHT -
3 PLC ±-	±-	CUSTOMER DRAWING
4 PLC ±-	±°	
ANGLES ±°		
MATERIAL SEE TABLE	FINISH SEE TABLE	

STE TE Connectivity			
NAME TERMINAL 6.3 SERIES FASTIN FASTON RECEPTACLE			
SIZE A3	CAGE CODE 00779	DRAWING NO C-735225	RESTRICTED TO -
SCALE 5:1		SHEET 1	OF 1
		REV AGI	