

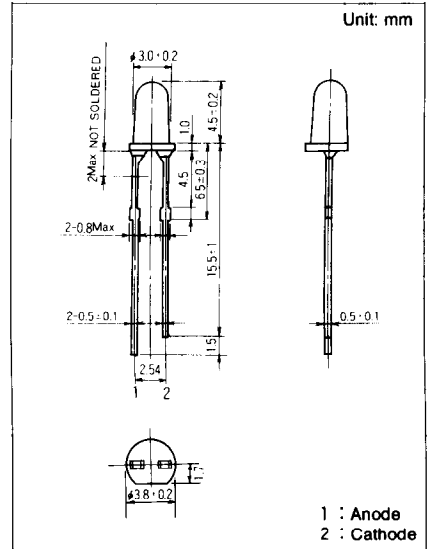
丸形 Round Type φ 3.0mm Series

- Type No. Lighting Color
- LN28RAL(US) Red
 - LN28RCAL(US) Red
 - LN28WAL(US) Red
 - LN28CAL(US) Red

絶対最大定格 Absolute Maximum Ratings (Ta=25 °C)

Lighting Color	P _D (mW)	I _F (mA)	I _{FP} (mA)*	V _R (V)	T _{opr} (°C)	T _{stg} (°C)
Red	70	30	150	3	-25~+85	-30~+100

* I_{FP}の条件は、duty 10%、Pulse width 1 msec. The condition of I_{FP} is duty 10%, Pulse width 1 msec



電気的光学的特性 Electro-Optical Characteristics (Ta=25 °C)

Type No.	Lighting Color	Lens Color	I _O			V _F		λ _P	Δλ	I _F	I _R	
			Typ.	Min.	I _F	Typ.	Max.	Typ.	Typ.		Max.	V _R
LN28RAL(US)	Red	Red Diffused	25	10	20	1.8	2.6	665	20	20	100	3
LN28RCAL(US)	Red	Red Clear	85	—	20	1.8	2.6	665	20	20	100	3
LN28WAL(US)	Red	White Diffused	50	—	20	1.8	2.6	665	20	20	100	3
LN28CAL(US)	Red	Clear	85	30	20	1.8	2.6	665	20	20	100	3
Unit	—	—	mcd	mcd	mA	V	V	nm	nm	mA	μA	V

