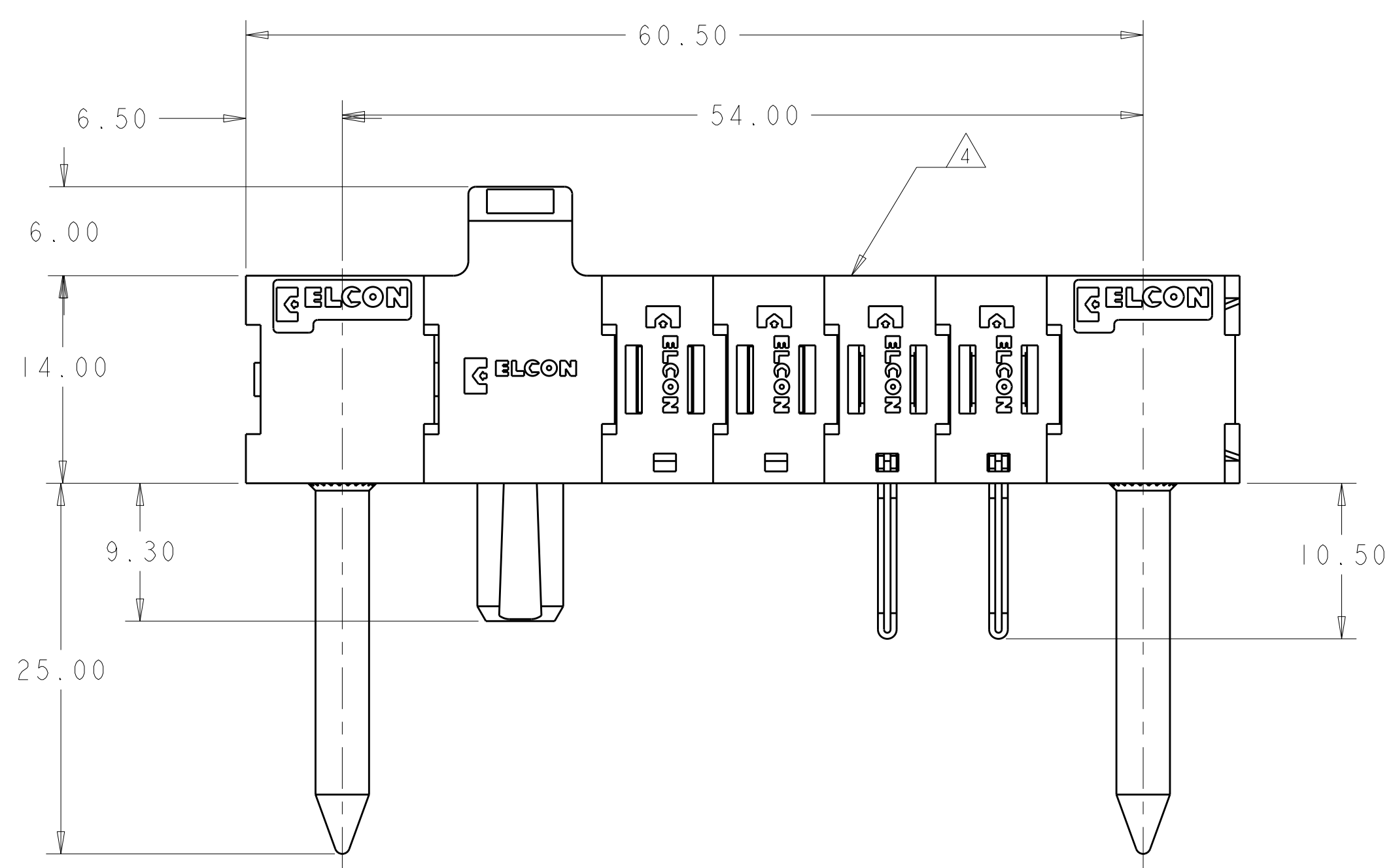


LOC	DIST	REVISIONS			
		REV	DATE	BY	APPV
		A	14OCT2008	CR	PD
		A1	22JAN2010	RG	MS

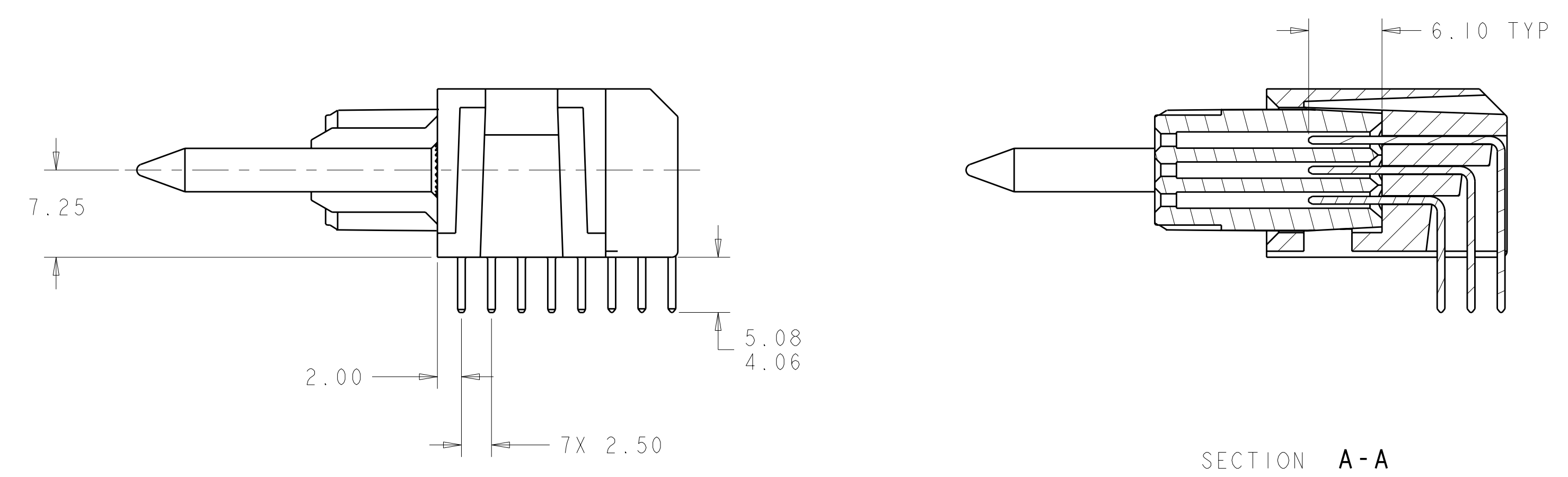
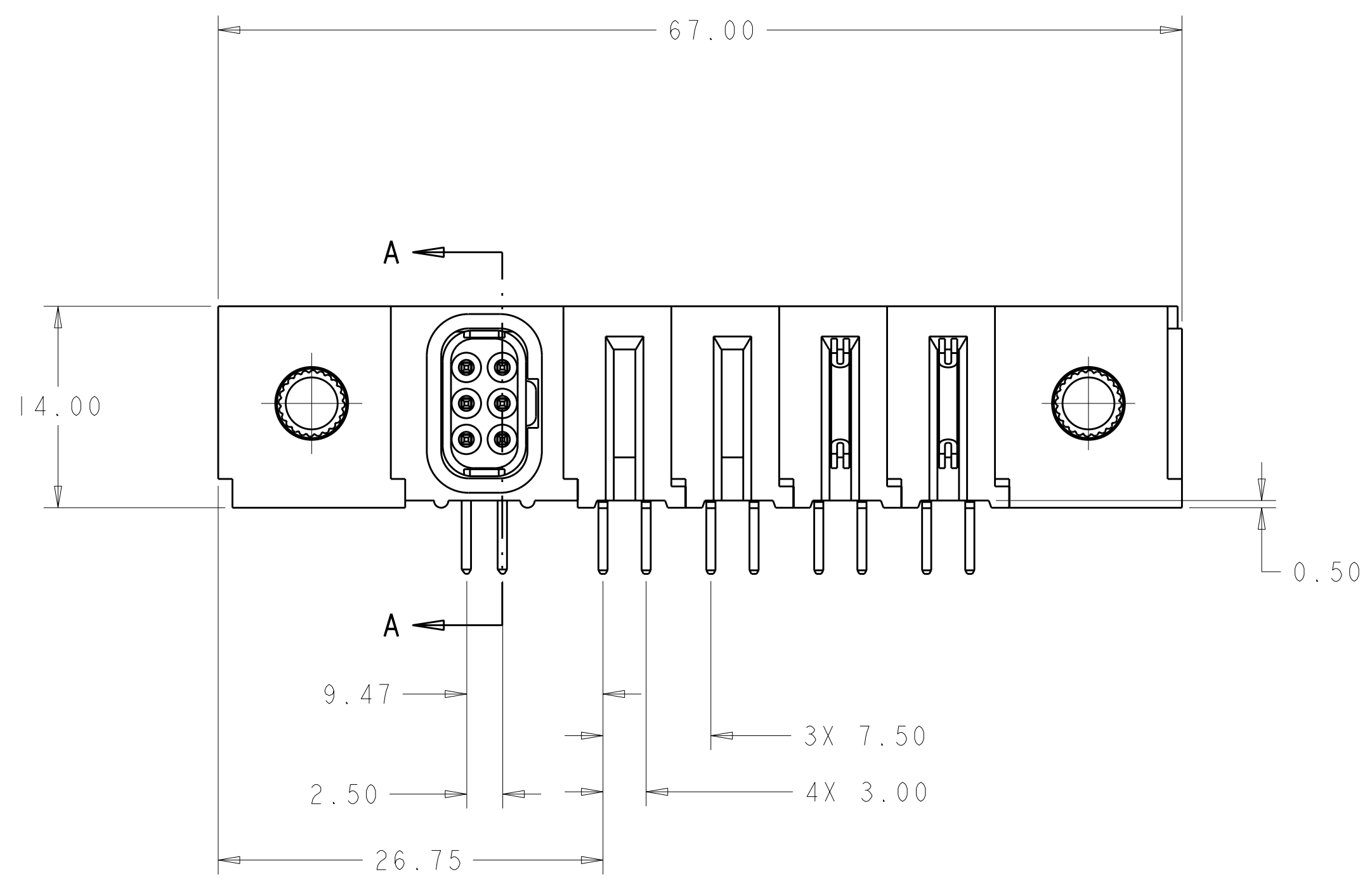


- PART NUMBER CHANGES AND OR DESIGN CHANGES AFFECTING ITEM INTERCHANGEABILITY REQUIRE PRIOR TYCO ELECTRONICS APPROVAL AND AUTHORIZATION BY REVISION TO THIS DRAWING.
- MATERIAL:
 - INSULATORS: THERMOPLASTIC, GLASS REINFORCED, COLOR: BLACK, UL94V-0 FLAMMABILITY RATED.
 - POWER CONTACTS: PHOSPHOR BRONZE ALLOY, COPPER ALLOY
 - SIGNAL CONTACT: PHOSPHOR BRONZE ALLOY
 - CROWN BAND: BERYLLIUM COPPER ALLOY
- FINISH:
 - CONTACTS: GOLD PLATE 0.76µm MIN. THK., OVER NICKEL 1.27µm MIN. THK
 - SOLDER TAILS: TIN 3.05µm MIN. THK. OVER NICKEL 1.27µm MIN THK.

△ ITEMS PROVIDED TO THIS SPECIFICATION TO BE PERMANENTLY IDENTIFIED PER THE FOLLOWING IDENTIFIER LABEL

YEAR WEEK

TYCO ELECTRONICS P/N: XXXXXXXX-X DATE CODE (e.g. 0106): XXXX

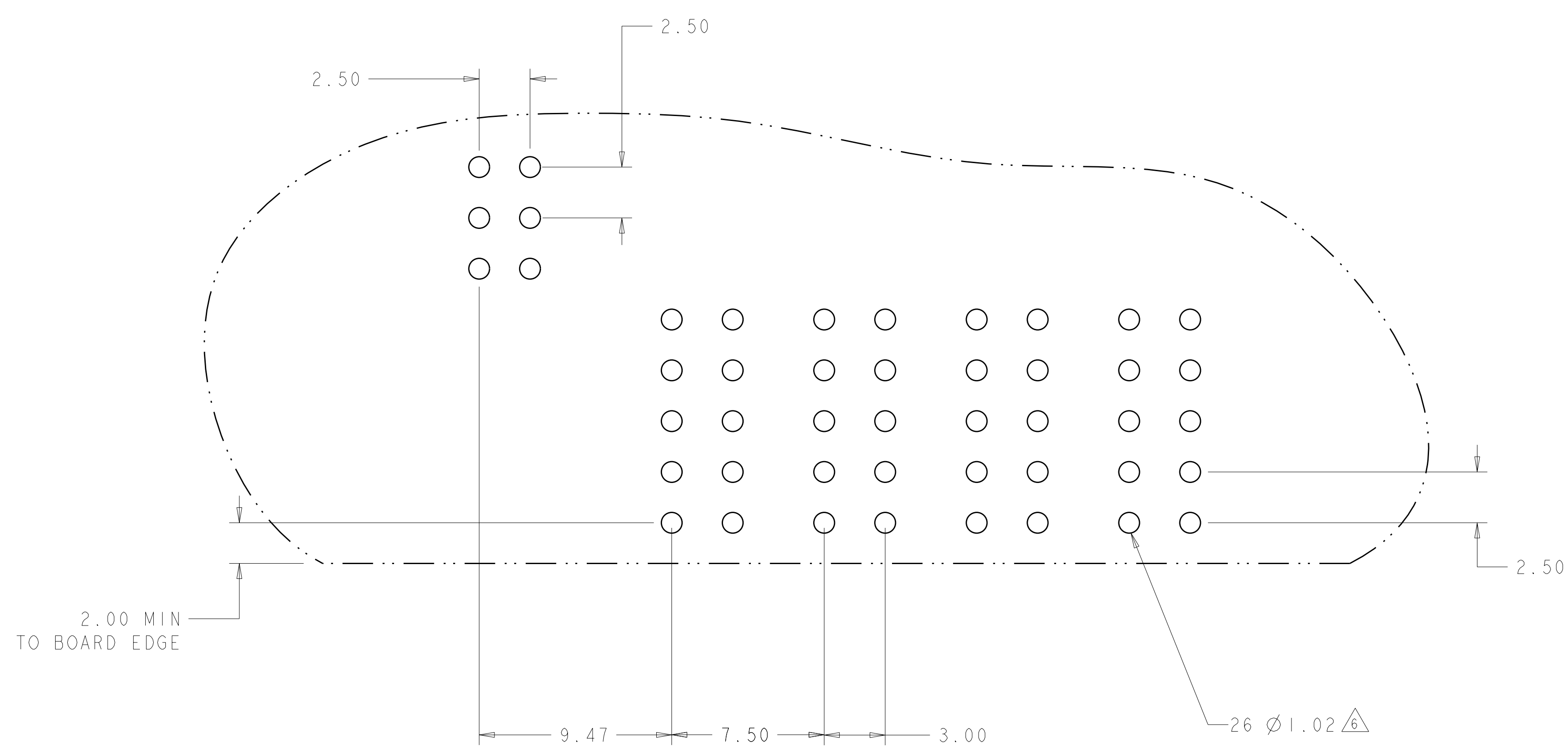


SECTION A-A

ELCON FLATPAQ

AS SHOWN		2085010-1
DESCRIPTION		PART NO.
DIMENSIONS: mm TOLERANCES UNLESS OTHERWISE SPECIFIED: 0 PLC ±.5 1 PLC ±.5 2 PLC ±.25 3 PLC ±.5 4 PLC ±.5 ANGLES ±.5 FINISH: - MATERIAL: -		
DWN: C. ROHLER 14OCT2008 CHK: P. DAMATO 14OCT2008 APVD: M. PERCHERKE 14OCT2008		Tyco Electronics Harrisburg, PA 17105-3608
PRODUCT SPEC: - APPLICATION SPEC: - WEIGHT: - CUSTOMER DRAWING: -		NAME: - PRODUCT SPEC: - APPLICATION SPEC: - SIZE: A 00779 C=2085010 SCALE: 1:1 SHEET 1 OF 3 REV A1

LOC	DIST	REV	DATE	BY	APPD
-	-	1	-	-	-
DESCRIPTION			DATE	DWN	APPD
SEE SHEET 1			-	-	-



PRINTED CIRCUIT LAYOUT
 SCALE 6:1

CONNECTOR	CATALOG MODULE #	QTY	SIZE NO.	CONTACT QTY	MATING PIN	MAX. CURRENT (PER CONTACT)	CONTACT SPACING	VOLTAGE RATING
PIN	FP105	2	8	4	1.25 X 7.00	35 amps	7.50	250 VOLTS
	FP104	2	8	4	1.25 X 7.00	3 amps	7.50	250 VOLTS
	FP315	1	22	24	.64 SQ.	3 amps	2.5	125 VOLTS
	FP507	2	GUIDE PIN, PASSIVE					

<small>THIS DRAWING IS UNPUBLISHED. RELEASED FOR PUBLICATION 20. COPYRIGHT 20 BY TYCO ELECTRONICS CORPORATION, ALL RIGHTS RESERVED.</small>		DWN: C. ROHLER 14OCT2008 CHK: P. DAMATO 14OCT2008 APPD: M. PERCHERKE 14OCT2008	Tyco Electronics Harrisburg, PA 17105-3608
DIMENSIONS: mm TOLERANCES UNLESS OTHERWISE SPECIFIED: 9 PLC ±.5 1 PLC ±.5 3 PLC ±.25 5 PLC ±.5 4 PLC ±.5 ANGLES ±.5 FINISH	PRODUCT SPEC APPLICATION SPEC WEIGHT CUSTOMER DRAWING	NAME: - PRODUCT SPEC: - APPLICATION SPEC: - WEIGHT: - CUSTOMER DRAWING	SIZE: A 00779 C=2085010 SCALE: 1:1 SHEET 2 OF 3 REV A1

