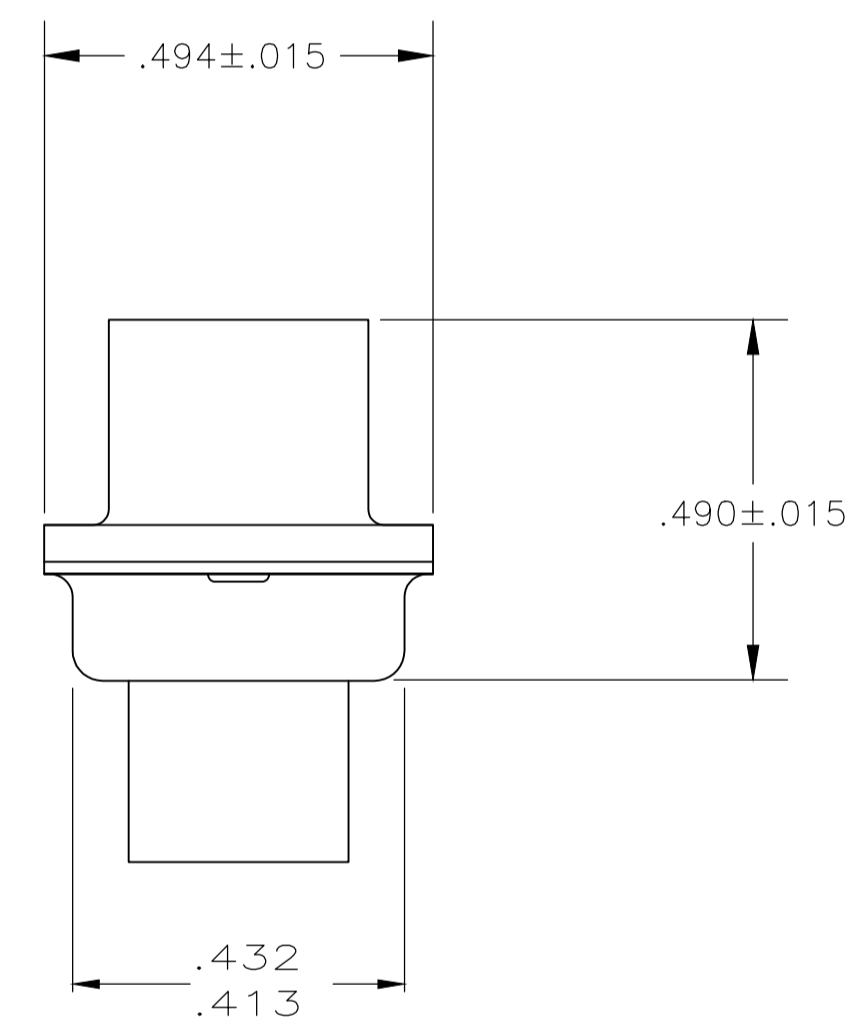
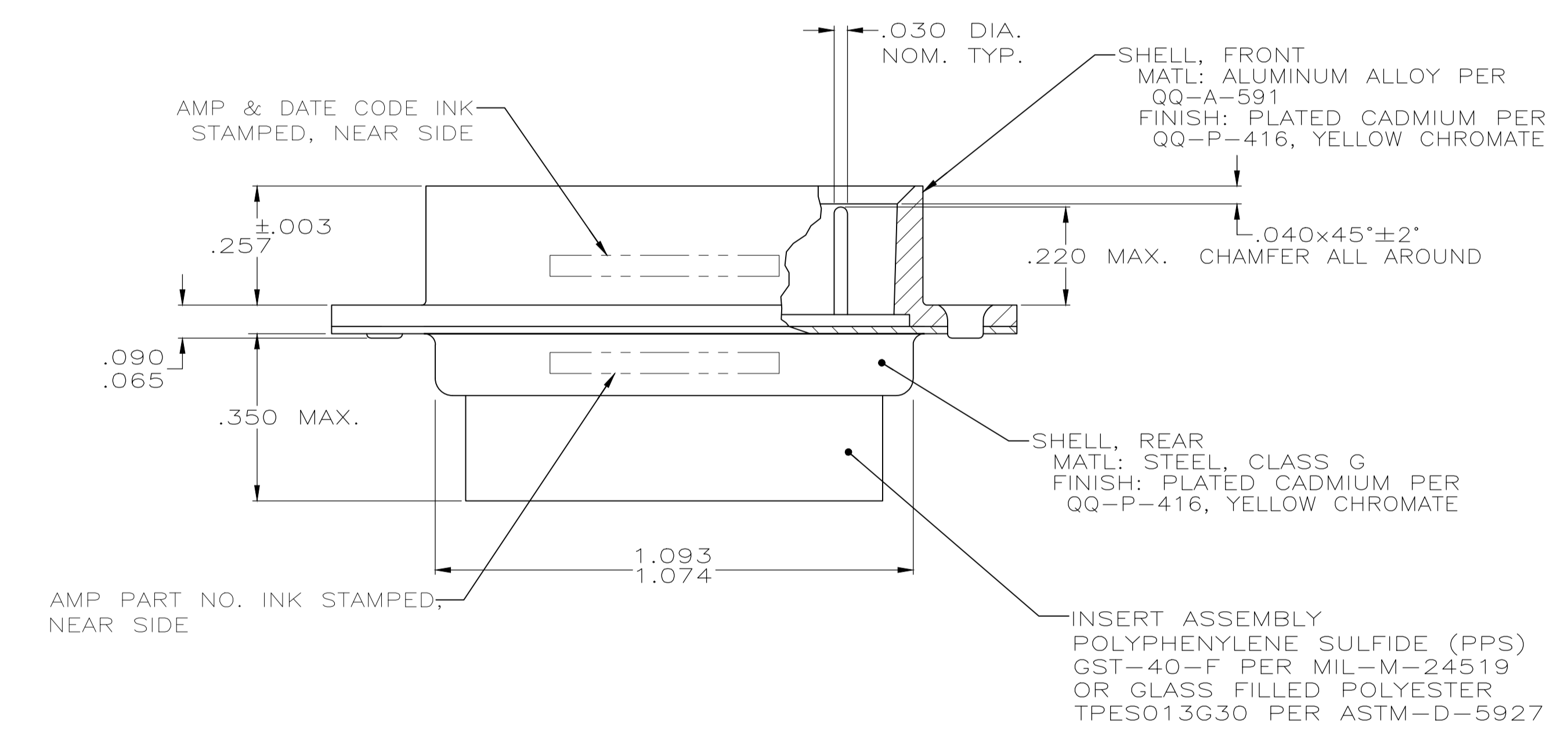
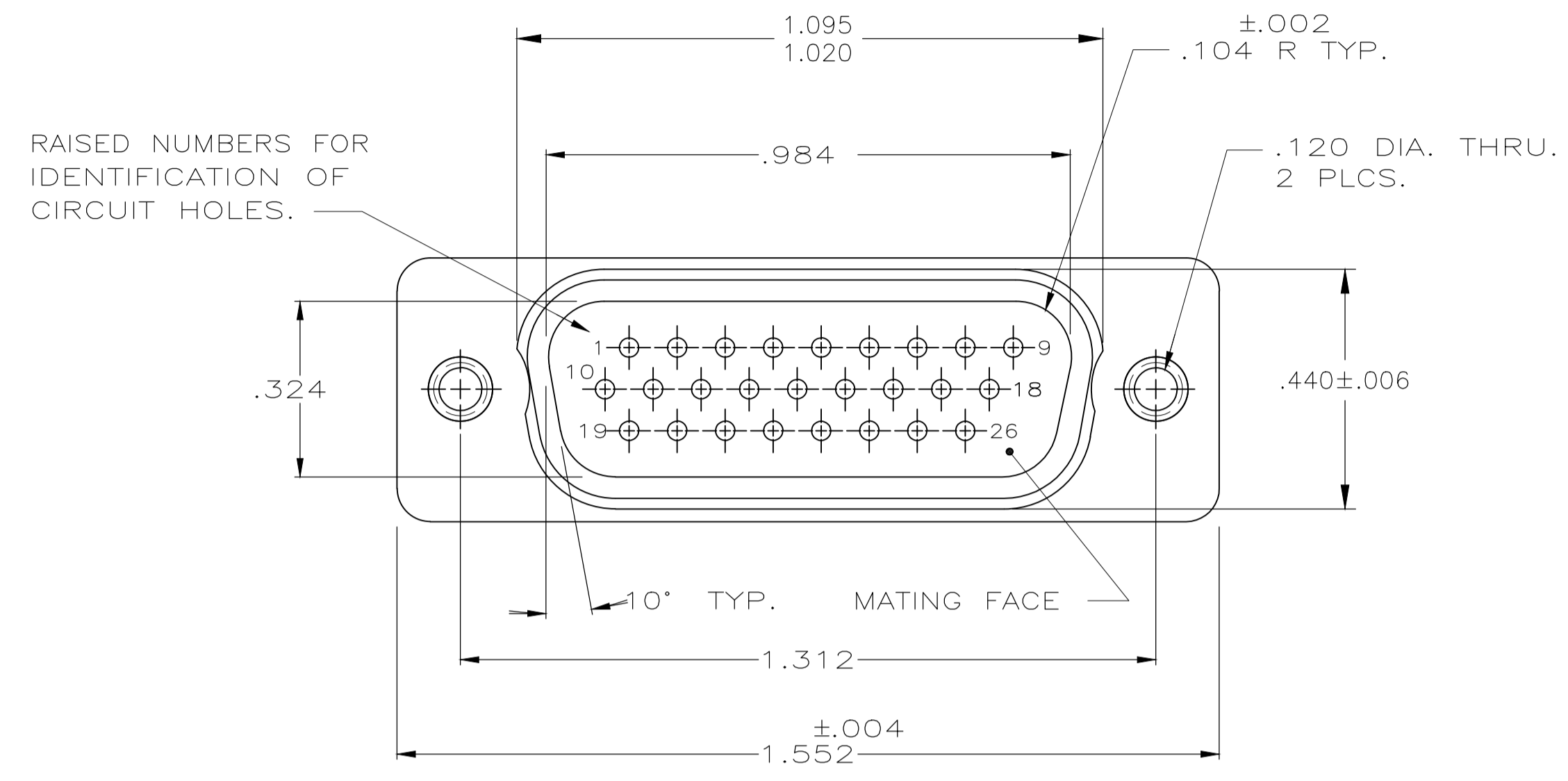


REVISIONS					
P	LTR	DESCRIPTION	DATE	DMN	APVD
N		REV PER ECO 18-011946	9-27-18	CT	DM



1. THIS PLUG WILL MATE WITH ANY SIZE 2,26 POSN. RECEPTACLE IN AMPLIMITE SERIES.
2. MAXIMUM WIRE INSULATION TO BE USED WITH THIS PLUG IS .054 DIA.
3. SST RETENTION CLIPS ARE INCLUDED IN INSERTS.
4. THIS PLUG IS DESIGNED TO CONFORM TO THE LATEST ISSUE OF MIL-C-24308.
5. CONNECTOR SUPPLIED WITHOUT CONTACTS; SHOWN FOR ILLUSTRATION ONLY.
6. THIS PLUG WILL ACCEPT SIZE 22 DM PIN CONTACT M39029/58-22-22D OR ANY AMP SIZE 22 DF PIN CONTACT.

UL/CSA DESIGNATION STAMPED IN THIS AREA.

AS SHOWN	445010-1
DESCRIPTION	PART NO

THIS DRAWING IS A CONTROLLED DOCUMENT.		DWG: S. GLATFELTER 10-17-85	TE Connectivity																			
DIMENSIONS: INCHES		CHK: F.C. BALLEW 10-17-85	NAME: PLUG ASSY., AMPLIMITE 26 POSN., SIZE 2, SERIES 90, BLINDMATE																			
TOLERANCES UNLESS OTHERWISE SPECIFIED:		APVD: -	PRODUCT SPEC: -																			
<table border="1"> <tr><td>0 PLC</td><td>±</td><td>-</td></tr> <tr><td>1 PLC</td><td>±</td><td>-</td></tr> <tr><td>2 PLC</td><td>±</td><td>-</td></tr> <tr><td>3 PLC</td><td>±</td><td>.005</td></tr> <tr><td>4 PLC</td><td>±</td><td>-</td></tr> <tr><td>ANGLES</td><td>±</td><td>°</td></tr> </table>		0 PLC	±	-	1 PLC	±	-	2 PLC	±	-	3 PLC	±	.005	4 PLC	±	-	ANGLES	±	°	APPLICATION SPEC: -		RESTRICTED TO: -
0 PLC	±	-																				
1 PLC	±	-																				
2 PLC	±	-																				
3 PLC	±	.005																				
4 PLC	±	-																				
ANGLES	±	°																				
MATERIAL: SEE CALLOUT	FINISH: SEE CALLOUT	WEIGHT: 0.000000	SIZE: A1	CAGE CODE: 00779																		
CUSTOMER DRAWING		DRAWING NO: 445010	SCALE: 1:1	SHEET 1 OF 1																		