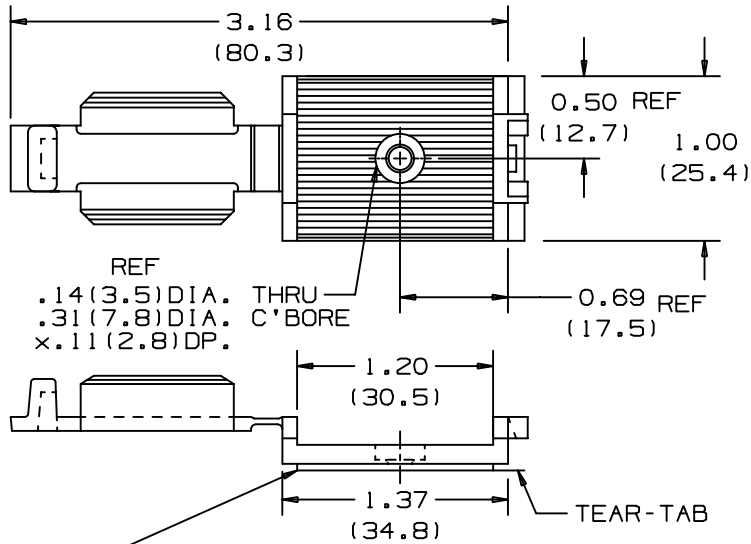


THIS COPY IS PROVIDED ON A RESTRICTED BASIS AND IS NOT TO BE USED IN ANY WAY DETRIMENTAL TO THE INTERESTS OF PANDUIT CORP.



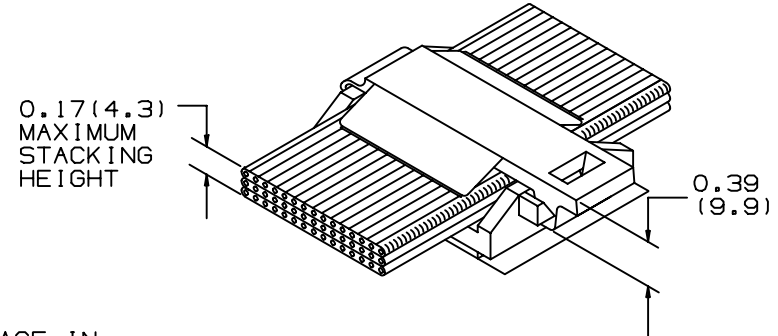
ADHESIVE TAPE: PRESSURE SENSITIVE FOAM 0.040 (1.02) THICK WITH RUBBER ADHESIVE AND PROTECTIVE LINER. MOUNT IS DESIGNED TO SUPPORT 0.62 lbs. (281g) MAXIMUM WEIGHT ON A CLEAN, DRY, SMOOTH, GREASE-FREE SURFACE.

NOTES:

1. SEE CURRENT PRICE SHEET FOR PART NUMBER SUFFIX DESIGNATION FOR PACKAGE SIZE AND PART COLOR.
2. TO APPLY MOUNT: a) REMOVE PROTECTIVE LINER; b) PLACE IN DESIRED LOCATION; c) APPLY PRESSURE TO TOP OF MOUNT.

| PANDUIT PART No. | REC'M. SCREW FASTENER | WEIGHT lbs. (g)/100PCS. |
|------------------|------------------------------|-------------------------|
| FCM1.2-A | N/A | 0.96 (436) |
| FCM1.2-S6 | #6 (M3) FL.HD. OR BUTTON HD. | 0.91 (413) |

NO WARRANTY, EXPRESSED OR IMPLIED, IS MADE BY PANDUIT WITH RESPECT TO ADHESIVE BOND PERFORMANCE. AMONG OTHER THINGS, THE CONDITIONS UNDER WHICH THESE MOUNTS MAY BE APPLIED AND/OR THE SURFACE TO WHICH THEY MAY BE APPLIED ARE BEYOND PANDUIT'S CONTROL.



(DIMENSIONS IN PARENTHESES ARE IN METRIC.)

CAD FILENAME/LAYERS G00239IF_PI_FCM1.2_00

PANDUIT CORP.

TINLEY PARK, ILLINOIS

1.2 INCH FLAT CABLE MOUNT FCM1.2

UNLESS OTHERWISE SPECIFIED, DIMENSIONAL TOLERANCES ARE:
 (.X) ± NA (.XXX) ± NA
 (.XX) ± 0.020 (.5) ANGLES ± NA

UNLESS OTHERWISE SPECIFIED, ALL DIMENSIONS ARE GIVEN IN INCHES, THIRD ANGLE PROJECTION.

DRAWN BY LGG

MAT'L:

SCALE FULL

DATE 6/22/01

NYLON 6/6

DRAWING NO.

G00239IF

DWG A SIZE

| REV | DATE | BY | CHK | DESCRIPTION | ECN - R | CUST | SUP |
|-----|---------|-----|-----|-----------------------------------|----------|------|-----|
| R | 6/22/01 | LGG | | INITIAL RELEASE REPLACED SS-19058 | G00239IF | R | |