

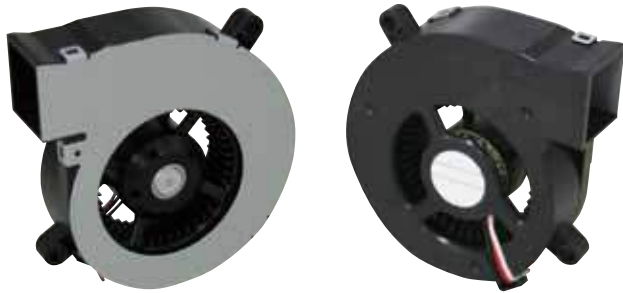
06920GA (旧BM6920)

Φ69X20^L

DC Blower Fan

General Specifications

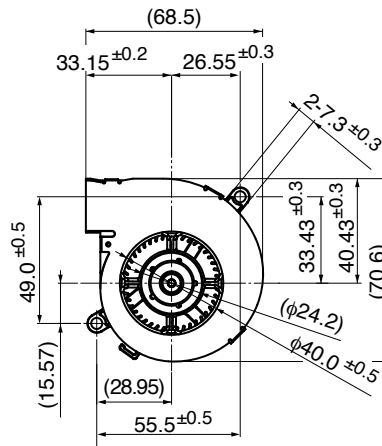
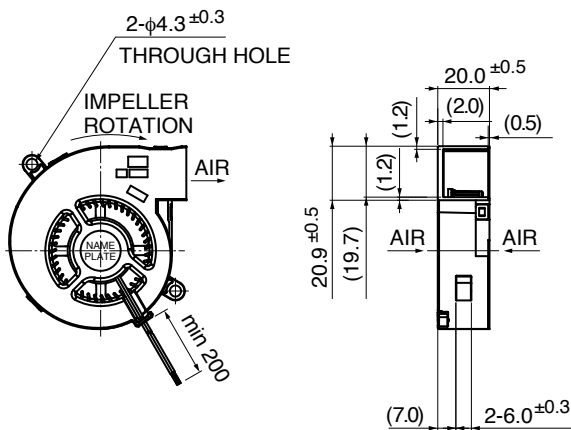
- Motor Protection : Auto Restart / Polarity Protection
- Insulation Resistance : 10MΩ or over with a DC500V Megger
- Dielectric Withstand Voltage : AC700V 1s
- Allowable Ambient Temperature Range : - 10°C ~ + 70°C (Operating)
- 40°C ~ + 70°C (Storage)
non-condensing environment



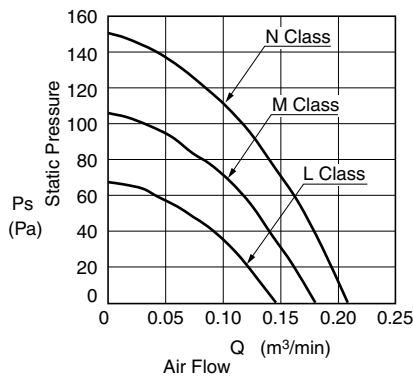
Expected Life ※ Failure Rate: 10% (L10 Life)

25°C 70,000 (Hours)

Outline



Characteristic Curves



Material

- Casing Lower : Plastic (Black) UL94V-0
- Casing Upper : Steel
- Impeller : Plastic (Black) UL94V-0
- Bearing : Ball Bearing
- Lead Wire : UL1061 AWG26 + : Red, - : Black

Specifications

Model	Product No.	Rating Voltage	Operating Voltage	Current (A)*1	Input Power (W)*1	Speed (min ⁻¹)*1	Max. Air Flow		Max. Static Pressure		Noise (dB)*1	Mass (g)
		(V)	(V)				(m ³ /min)*1	(CFM)*1	(Pa)*1	(In H ₂ O)*1		
06920GA-12L-AA-	00	12	6.5 ~ 13.8	0.09	1.08	2900	0.14	4.9	66.0	0.26	23	55
06920GA-12M-AA-	00			0.15	1.80	3500	0.17	6.0	100.0	0.40	29	
06920GA-12N-AA-	00			0.25	3.00	4100	0.20	7.1	150.0	0.60	33	
06920GA-24L-AA-	00	24	12.0 ~ 26.4	0.05	1.20	2900	0.14	4.9	64.0	0.26	23	
06920GA-24M-AA-	00			0.08	1.92	3500	0.17	6.0	100.0	0.40	29	
06920GA-24N-AA-	00			0.13	3.12	4100	0.20	7.1	150.0	0.60	33	

Rotation: Clockwise as seen from the label side

*1: Average Values in Free Air