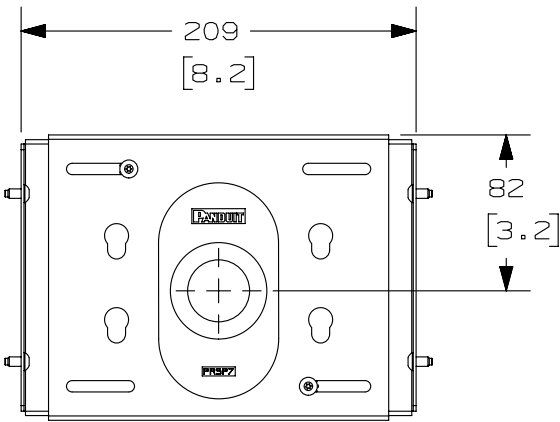
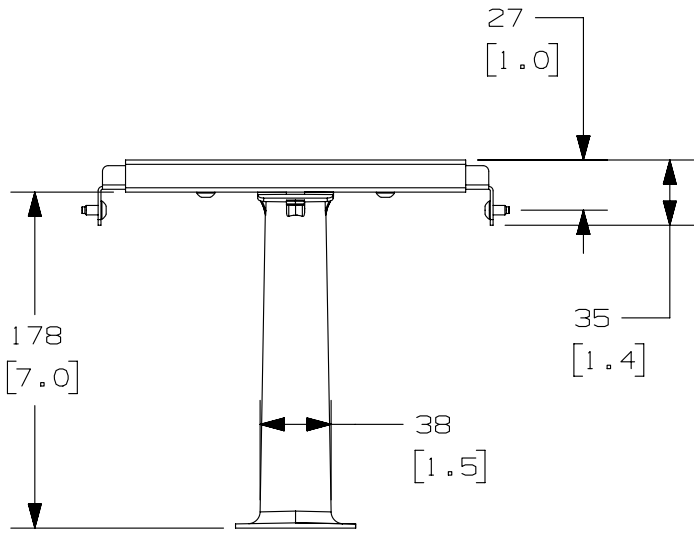


THIS COPY IS PROVIDED ON A RESTRICTED BASIS AND IS NOT TO BE USED IN ANY WAY DETRIMENTAL TO THE INTERESTS OF PANDUIT CORP.



NOTES:

1. IDENTIFICATION: NETWORK ADJUSTABLE CENTER SLACK SPOOL

PART NO.  
NACSS

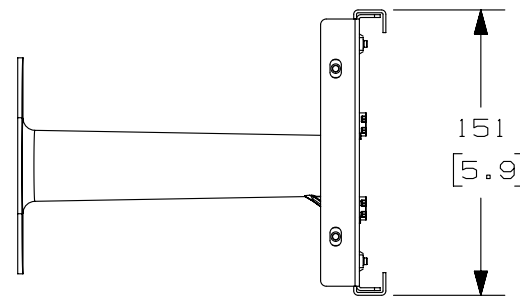
2. PRIMARY DIMENSIONS ARE IN MILLIMETERS (mm).

3. PARTS SUPPLIED:  
(1)-CENTER SPOOL BRACKET  
(1)-MOLDED SPOOL (PN: PRSP7)  
(1)-HARDWARE KIT  
(4) M5 X 0.8mm SCREWS  
(1)-INSTRUCTION SHEET

4. MOUNTS BETWEEN TWO NETWORK CABINETS TO SIDE OF CABINET POSTS.

5. SPOOL BRACKET IS ADJUSTABLE FROM 209.6 [ 8.25 ] TO 266.7 [ 10.5 ] HORIZONTALLY.

MOLDED SPOOL



ADJUSTABLE CENTER SPOOL BRACKET

TITLE

(NACSS) NETWORK ADJUSTABLE CENTER SLACK SPOOL

CUSTOMER DRAWING

ITEM REVISION NAME

13V377GX/00.PRT

DATASET FILE NAME

13V377GX\_DC/00A.PRT

UNLESS OTHERWISE SPECIFIED, DIMENSIONAL TOLERANCES ARE:

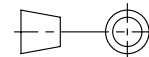
INCHES	METRIC - MILLIMETER	ANGLE
X.X +/- 0.03	X.X +/- 0.8	+/- 1°
X.XX +/- 0.018	X.X +/- 0.46	
X.XXX +/- 0.007	X.XX +/- 0.18	

MATERIAL/COLOR:

N/A

DRAWING NUMBER:

13V377GX



THIRD ANGLE PROJECTION

OOA	6/19/13	PBS	RAMA	JDWE	RELEASED TO PRODUCTION	13V377GX
REV	DATE	BY	CHK	APR	DESCRIPTION	ECN

DRAWN BY  
PBS

DATE  
6/19/13

CHK  
RAMA

SCALE  
NONE

SHT 1 OF 1

SIZE  
A