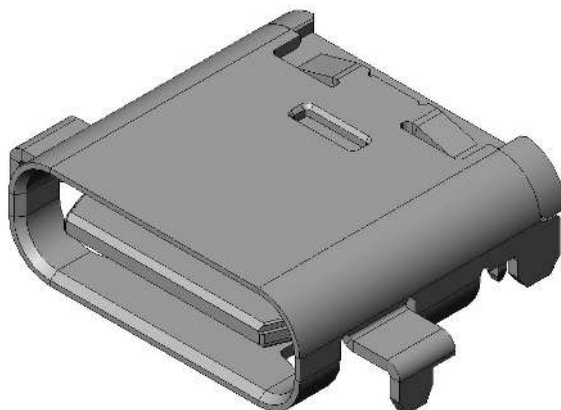


DX07B024JJ2R1500

Product Details



Features

Input/Output Connector, USB Type-C connector, Without rear shield, 24 pos., Center height: 0.47mm, 2-row SMT, Mid-mount, Receptacle

| | |
|-----------------------------------|---|
| Part Number | DX07B024JJ2R1500 |
| Status | Active |
| Number of Positions | 24 pos. |
| Rated Current | 5 A max. |
| Rated Voltage | 48 Vr.m.s. |
| Applicable Specifications | USB 3.2 Gen2 Type-C |
| Waterproof/ Non-waterproof | |
| Applications | Smartphones, Game machine, Drive recorder, Digital still cameras, HDD/SSD, Hub, Printer, and others |
| Connector Type | Receptacle |
| Connector Style | Right angle |
| PCB Mounting Method | 2 row SMT horizontal |
| Replacement | |

| | |
|---|--|
| USB-IF Certification | |
| TID | |
| Mounting Type | Mid-mount |
| Center Height | 0.47 mm |
| Recommended Board Thickness | |
| Finish of Contact in Connecting Area | Gold flash over Palladium Nickel over Nickel plating |
| Shell | Without rear shield |
| Contact Resistance | 40 milliohm max. initial |
| Dielectric Withstanding Voltage | AC 100 Vr.m.s. (1 minute) |
| Insulation Resistance | 100 megaohm min. |
| Operating Temperature Range | -40 deg. C to +85 deg. C |
| Mating Cycles | 10,000 times |
| Packaging Type | Embossed tape packaging |
| Quantity in The Standard Packaging | 1,500 pcs./reel |
| RoHS compliant | 10 substances (2011/65/EU, (EU)2015/863) |
| REACH compliant | 233 substances (17/01/2023) |
| Combination | DX07518B10N19114 DX07518S10N18747 DX07519B10L18748 DX07P024AJ5R1500 DX07518S20K18747 DX07518B20K19114 DX07519S10L19294 |

Notice

1. The values specified in this web site are only for reference. The products and their specifications are subject to change without notice. Contact our sales staff for further information before considering or ordering any of our products.

For purchase, a product specification must be agreed upon.

2. Users are requested to provide protection circuits and redundancy circuits to ensure safety of the equipment, and sufficiently review the suitability of JAE's products to the equipment.

3. The products presented in this web site are designed for the uses recommended below.

We strongly suggest you contact our sales staff when considering use of any of the products in any other way than the recommended applications or for a specific use that requires an extremely high reliability.

(1) Applications that require consultation:

* Please contact us if you are considering use involving a quality assurance program that you specify or that is peculiar to the industry, such as:

Automotive electrical components, train control, telecommunications devices (mainline), traffic light control, electric power, combustion control, fire prevention or security systems, disaster evention equipment, etc.

* We may separately give you our support with a quality assurance program that

you specify, when you think of a use such as :

Aviation or space equipment, submarine repeaters, nuclear power control systems, medical equipment for life support, etc.

(2) Recommended applications include:

* Computers, office appliances, telecommunications devices (terminals, mobile units), measuring equipment, audiovisual equipment, home electric appliances, factory automation

equipment, etc