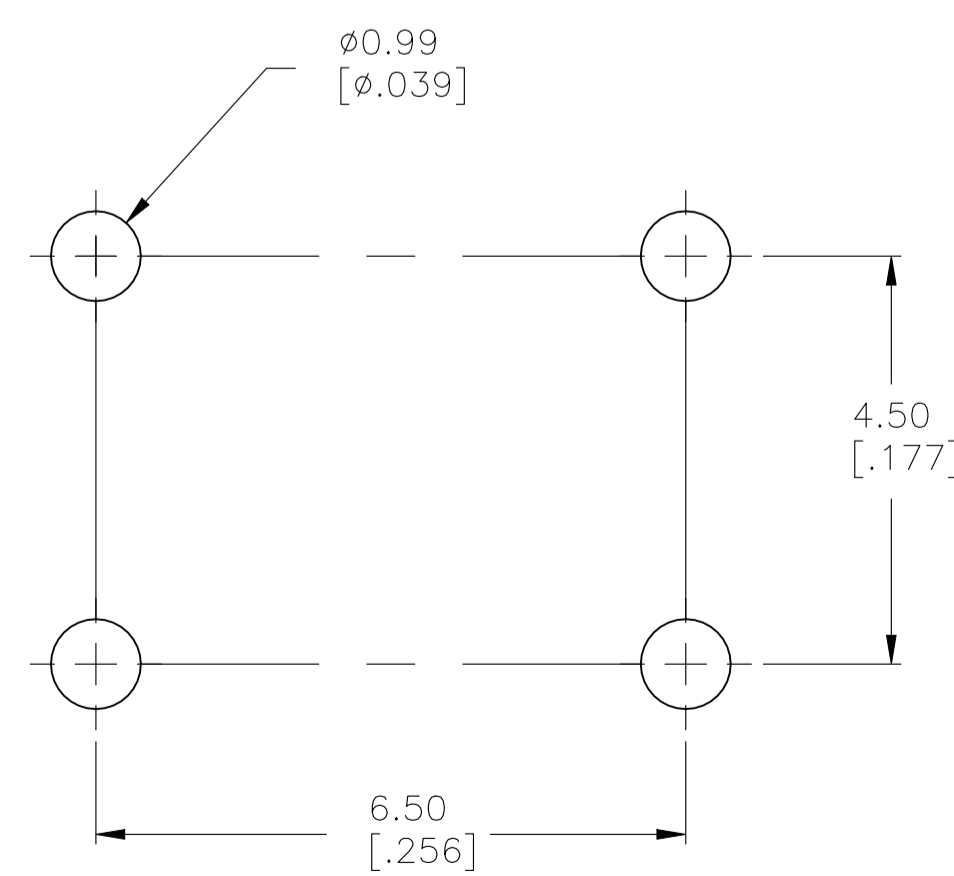
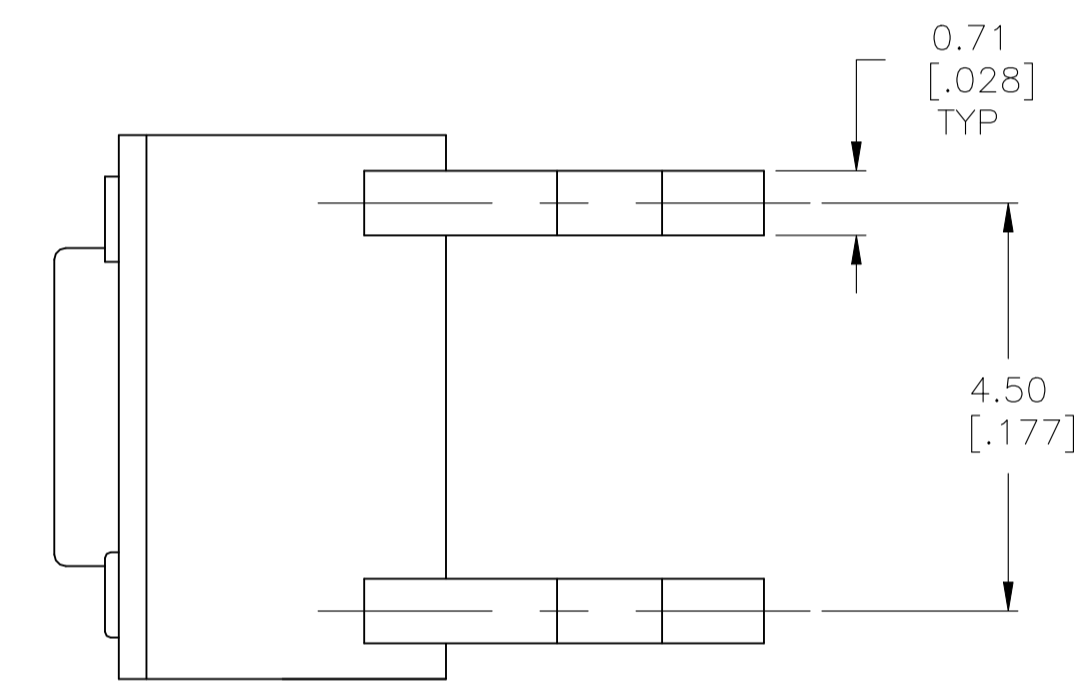
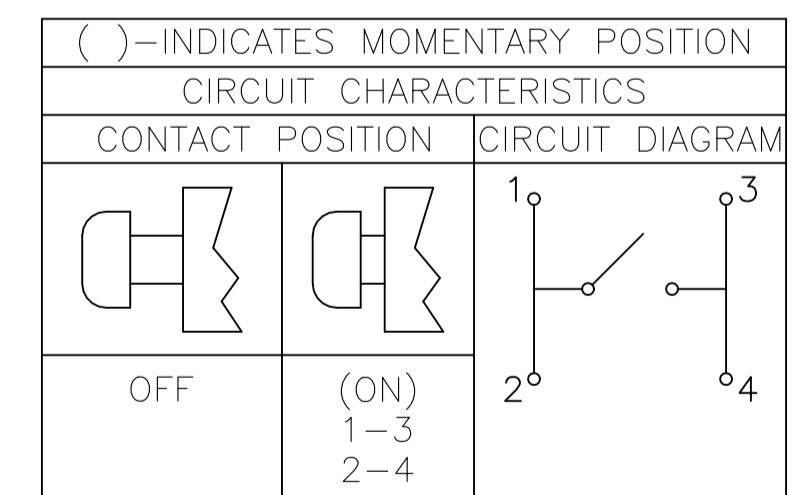


VIEW A-A
FSM6J THRU FSM18J



RECOMMENDED HOLE LAYOUT
TOLERANCE ±0.05[.002] UNLESS OTHERWISE NOTED



SPECIFICATIONS:

MATERIALS:
CASE: PA66 UL94HB
ACTUATOR: PA66 UL94HB, SEE P/N TABLE
COVER: PET.
MOVING CONTACT: STAINLESS STEELAg clad
FIXED CONTACT/TERMINAL: BRASS Ag Plating

ELECTRICAL:

MAX CONTACT RATING: 50 MILLIAMPS@24V DC (FSM14JHS/FSM16JLHS: 50 MILLIAMPS@12V DC).
MIN CONTACT RATING: 10 MICROAMPS@1V DC (FSM14JHS/FSM16JLHS: 10 MILLIAMPS@5V DC).
INITIAL CONTACT RESISTANCE: 100 MILLIOHM MAX. (FSM14JHS/FSM16JLHS: 50 MILLIOHM MAX.)
INSULATION RESISTANCE: 100 MEGAOHM MIN. @100V DC.
DIELECTRIC STRENGTH: 500V AC FOR 1 MINUTE (FSM14JHS/FSM16JLHS:250V AC).
LIFE EXPECTANCY: 100,000 CYCLES MIN. (2CYCLES PER SECOND THE 150% ACTUATION FORCE).
EXCEPT FOR THE 520GF MODEL WHICH WOULD BE 50,000 CYCLES MIN.

MECHANICAL:

ACTUATION FORCE: SEE TABLE
ACTUATION TRAVEL: 0.010^{+0.008}/_{0.004} (FSM14JHS/FSM16JLHS:0.25±0.1mm)

ENVIRONMENTAL:

OPERATING TEMPERATURE: -40°C TO +105°C (FSM14JHS/FSM16JLHS: -20 TO +70°C)
STORAGE TEMPERATURE: -40°C TO +105°C (FSM14JHS/FSM16JLHS: -30 TO +80°C)
THERMAL SHOCK: PER EIA-364-32C,-35 TO +85°C (FSM14JHS/FSM16JLHS: -10 TO +65°C)
RESISTANCE TO SOLDER HEAT: PER 109-202, CONDITION B (FSM14JHS/FSM16JLHS: 260°C,10 sec max)
SOLDERABILITY: PER EIA-364-52, CLASS2, CATEGORY 1,CATEGORY 2, 95% MINIMUM COVERAGE
(SOLDERABILITY ONLY FOR FSM14JHS/FSM16JLHS):
automatic:- Preheat: 150°C-175°C, 40-80sec
Peak temp:260°C max,
Soldering area temp: 260c,1-4sec, 2 times max
Manual-Soldering temp: less than 350°c, within 3 sec

NOTES:

- ALL MATERIALS AND FINISHES SHALL COMPLY WITH EU DIRECTIVE 2002/95/EC OF 27JAN2003 (ROHS)
- A REINFORCE COLLAR IS RECOMENDED FOR APPLICATIONS WITH INCREASED AXIAL LOAD. PLEASE REFERENCE FIGURE

| ACTUATOR MAT'L | ACTUATOR COLOR | ACTUATION FORCE | DIM C | DIM B | DIM A | ALCO P/N | P/N | |
|----------------|----------------|-----------------|---------------|--------------|--------------|--------------|-------------|-------------|
| PA66 | BLACK | 160 +/-50 GF | See page #2 | 13.5 (0.531) | 6 (0.236) | FSM16JLHS | 4-1825910-2 | |
| PA66 | BLACK | 160 +/-50 GF | See page #2 | 9.5 (0.374) | 2 (0.079) | FSM14JHS | 4-1825910-1 | |
| NYLON 6/6 | BROWN | 100 +/-50 GF | 3.30 (.130) | 7.00 (.276) | 3.40 (.134) | FSM6JLHTB | 3-1825910-9 | |
| OBSOLETE | PBT | BROWN | N/A | 5.00 (.196) | 1.40 (.055) | FSM4JLHTB | 3-1825910-8 | |
| OBSOLETE | NYLON 6/6 | YELLOW | 520 +/-100 GF | 3.09 (.122) | 8.50 (.335) | 4.90 (.193) | FSM18JAAH | 3-1825910-7 |
| OBSOLETE | NYLON 6/6 | RED | 260 +/-50 GF | 3.09 (.122) | 8.50 (.335) | 4.90 (.193) | FSM18JAH | 3-1825910-6 |
| OBSOLETE | NYLON 6/6 | BLACK | 160 +/-50 GF | 3.09 (.122) | 8.50 (.335) | 4.90 (.193) | FSM18JH | 3-1825910-5 |
| OBSOLETE | NYLON 6/6 | BROWN | 100 +/-50 GF | 3.09 (.122) | 8.50 (.335) | 4.90 (.193) | FSM18JLH | 3-1825910-4 |
| NYLON 6/6 | YELLOW | 520 +/-100 GF | 2.80 (.110) | 17.00 (.669) | 13.40 (.527) | FSM16JAAH | 3-1825910-3 | |
| NYLON 6/6 | RED | 260 +/-50 GF | 2.80 (.110) | 17.00 (.669) | 13.40 (.527) | FSM16JAH | 3-1825910-2 | |
| NYLON 6/6 | BLACK | 160 +/-50 GF | 2.80 (.110) | 17.00 (.669) | 13.40 (.527) | FSM16JH | 3-1825910-1 | |
| OBSOLETE | NYLON 6/6 | BROWN | 100 +/-50 GF | 2.80 (.110) | 17.00 (.669) | 13.40 (.527) | FSM16JLH | 3-1825910-0 |
| NYLON 6/6 | YELLOW | 520 +/-100 GF | 2.87 (.113) | 13.00 (.512) | 9.40 (.370) | FSM14JAAH | 2-1825910-9 | |
| NYLON 6/6 | RED | 260 +/-50 GF | 2.87 (.113) | 13.00 (.512) | 9.40 (.370) | FSM14JAH | 2-1825910-8 | |
| NYLON 6/6 | BLACK | 160 +/-50 GF | 2.87 (.113) | 13.00 (.512) | 9.40 (.370) | FSM14JH | 2-1825910-7 | |
| NYLON 6/6 | BROWN | 100 +/-50 GF | 2.87 (.113) | 13.00 (.512) | 9.40 (.370) | FSM14JLH | 2-1825910-6 | |
| OBSOLETE | NYLON 6/6 | YELLOW | 520 +/-100 GF | 3.20 (.126) | 8.00 (.315) | 4.40 (.173) | FSM12JAAH | 2-1825910-5 |
| OBSOLETE | NYLON 6/6 | BLACK | 260 +/-50 GF | 3.20 (.126) | 8.00 (.315) | 4.40 (.173) | FSM12JABH | 2-1825910-4 |
| OBSOLETE | NYLON 6/6 | RED | 260 +/-50 GF | 3.20 (.126) | 8.00 (.315) | 4.40 (.173) | FSM12JAH | 2-1825910-3 |
| NYLON 6/6 | WHITE | 160 +/-50 GF | 3.20 (.126) | 8.00 (.315) | 4.40 (.173) | FSM12JH | 2-1825910-2 | |
| OBSOLETE | NYLON 6/6 | BROWN | 100 +/-50 GF | 3.20 (.126) | 8.00 (.315) | 4.40 (.173) | FSM12JLH | 2-1825910-1 |
| OBSOLETE | NYLON 6/6 | YELLOW | 520 +/-100 GF | 3.25 (.128) | 7.30 (.287) | 3.70 (.146) | FSM10JAAH | 2-1825910-0 |
| NYLON 6/6 | RED | 260 +/-50 GF | 3.25 (.128) | 7.30 (.287) | 3.70 (.146) | FSM10JAH | 1-1825910-9 | |
| NYLON 6/6 | IVORY | 160 +/-50 GF | 3.25 (.128) | 7.30 (.287) | 3.70 (.146) | FSM10JH | 1-1825910-8 | |
| OBSOLETE | NYLON 6/6 | BROWN | 100 +/-50 GF | 3.25 (.128) | 7.30 (.287) | 3.70 (.146) | FSM10JLH | 1-1825910-7 |
| OBSOLETE | PBT | YELLOW | 520 +/-100 GF | 3.10 (.122) | 9.50 (.374) | 5.90 (.232) | FSM8JAAH | 1-1825910-6 |
| PBT | RED | 260 +/-50 GF | 3.10 (.122) | 9.50 (.374) | 5.90 (.232) | FSM8JAH | 1-1825910-5 | |
| PBT | BLACK | 160 +/-50 GF | 3.10 (.122) | 9.50 (.374) | 5.90 (.232) | FSM8JH | 1-1825910-4 | |
| PBT | BROWN | 100 +/-50 GF | 3.10 (.122) | 9.50 (.374) | 5.90 (.232) | FSM8JLH | 1-1825910-3 | |
| NYLON 6/6 | YELLOW | 520 +/-100 GF | 3.30 (.130) | 7.00 (.276) | 3.40 (.134) | FSM6JAAH | 1-1825910-2 | |
| NYLON 6/6 | RED | 260 +/-50 GF | 3.30 (.130) | 7.00 (.276) | 3.40 (.134) | FSM6JAH | 1-1825910-1 | |
| NYLON 6/6 | BLUE | 160 +/-50 GF | 3.30 (.130) | 7.00 (.276) | 3.40 (.134) | FSM6JH | 1-1825910-0 | |
| NYLON 6/6 | BROWN | 100 +/-50 GF | 3.30 (.130) | 7.00 (.276) | 3.40 (.134) | FSM6JLH | 1825910-9 | |
| PBT | YELLOW | 520 +/-100 GF | N/A | 5.00 (.196) | 1.40 (.055) | FSM4JAAH | 1825910-8 | |
| PBT | RED | 260 +/-50 GF | N/A | 5.00 (.196) | 1.40 (.055) | FSM4JAH | 1825910-7 | |
| PBT | BLACK | 160 +/-50 GF | N/A | 5.00 (.196) | 1.40 (.055) | FSM4JH | 1825910-6 | |
| OBSOLETE | PBT | BROWN | 100 +/-50 GF | N/A | 5.00 (.196) | 1.40 (.055) | FSM4JLH | 1825910-5 |
| OBSOLETE | PBT | YELLOW | 520 +/-100 GF | N/A | 4.30 (.169) | 0.70 (.028) | FSM2JAAH | 1825910-4 |
| PBT | RED | 260 +/-50 GF | N/A | 4.30 (.169) | 0.70 (.028) | FSM2JAH | 1825910-3 | |
| PBT | NATURAL | 160 +/-50 GF | N/A | 4.30 (.169) | 0.70 (.028) | FSM2JH | 1825910-2 | |
| PBT | BROWN | 100 +/-50 GF | N/A | 4.30 (.169) | 0.70 (.028) | FSM2JLH | 1825910-1 | |

THIS DRAWING IS A CONTROLLED DOCUMENT.

| | | | |
|-------------------------|--|-----------------------------|-------------------|
| DIMENSIONS: mm [INCHES] | TOLERANCES UNLESS OTHERWISE SPECIFIED: | DIN M. BINNER 07NOV06 | M. SARVER 07NOV06 |
| 0. PLC ± .01 | 1. PLC ± .01 | 2. PLC ± .01 | 3. PLC ± .01 |
| 4. PLC ± .01 | ANGLES ± .01 | APPROVED: M. SARVER 07NOV06 | |

MATERIAL: SEE SPECIFICATIONS FINISH: -

WEIGHT: A1 00779 1825910

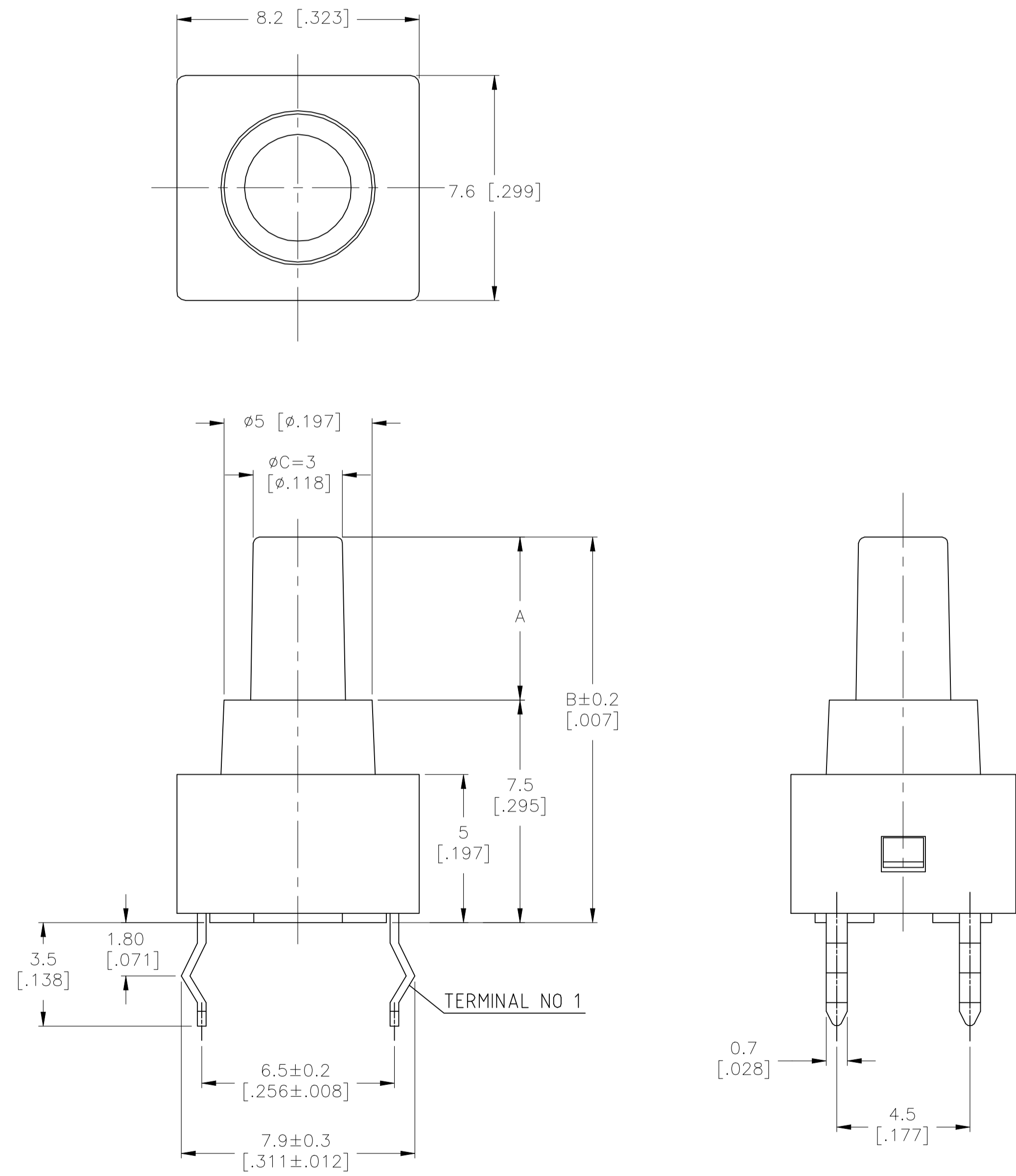
CUSTOMER DRAWING SCALE: 12:1 SHEET 1 OF 2 REV D

TE Connectivity

6MM TACT SWITCH, THRU-HOLE HIGH TEMP

| REVISIONS | | | | |
|-----------|------|----|-------|-------------|
| REV | DATE | BY | APP'D | DESCRIPTION |
| - | - | - | - | SEE SHEET 1 |

FIGURE 2. HIGHER PERFORMANCE SWITCH WITH COLLAR FOR APPLICATIONS WITH GREATER AXIAL FORCE (4-1825910-1 & 4-1825910-2)



| | | | |
|--|----------------|-------------------------------|---|
| THIS DRAWING IS A CONTROLLED DOCUMENT. | | DIN M. BINNER 07NOV06 | TE Connectivity |
| DIMENSIONS: mm [INCHES] | | CHK M. SARVER 07NOV06 | |
| TOLERANCES UNLESS OTHERWISE SPECIFIED: | | APP'D M. SARVER 07NOV06 | NAME |
| 0. PLC | ± - | PRODUCT SPEC | 6MM TACT SWITCH, THRU-HOLE HIGH TEMP |
| 1. PLC | ± - | APPLICATION SPEC | SIZE |
| 2. PLC | ± 0.30 [0.012] | WEIGHT | A1 |
| 3. PLC | ± - | CUSTOMER DRAWING | 00779 |
| 4. PLC | ± - | SCALE | 8:1 |
| ANGLES | ± - | SHEET | 2 of 2 |
| MATERIAL SEE SPECIFICATIONS | FINISH - | DRAWING NO | 1825910 |
| | | RESTRICTED TO | - |