



LA1654C

Monolithic Linear IC

Time Code Reception IC

ON Semiconductor®

<http://onsemi.com>

Overview

The LA1654C time code reception IC receives long-wave time standard broadcasts (such as the Japanese JJY and German DCF77 standards) and detects and outputs the time code superposed on the long-wave signal.

Applications can automatically correct their clock's time setting by using the time code received by the LA1654C.

Note that the LA1654C is a bare chip product that is not packaged.

Function

- RF amplifier, rectifier, detector, time code output, and standby circuit.

Features

- Low-voltage operation (operating V_{CC} as low as 1.5V).
- Standby mode current drain less than or equal to $0.05\mu\text{A}$.
Japan : JJY 40/60kHz
Germany : DCF77 77.5kHz

Specifications

Absolute Maximum Ratings at $T_a = 25^\circ\text{C}$

Parameter	Symbol	Conditions	Ratings	Unit
Maximum supply voltage	$V_{CC\text{ max}}$		5.0	V
Allowable power dissipation	$P_d\text{ max}$	$T_a \leq 70^\circ\text{C}$	10	mW
Operating temperature	T_{opr}		-20 to +70	$^\circ\text{C}$
Storage temperature	T_{stg}		-40 to +125	$^\circ\text{C}$

Stresses exceeding those listed in the Maximum Ratings table may damage the device. If any of these limits are exceeded, device functionality should not be assumed, damage may occur and reliability may be affected.

Recommended Operating Conditions at $T_a = 25^\circ\text{C}$

Parameter	Symbol	Conditions	Ratings			Unit
			min	typ	max	
Recommended supply voltage	V_{CC}		1.5		3.0	V
Operating supply voltage range	$V_{CC\text{ op}}$		1.1		3.6	V

Functional operation above the stresses listed in the Recommended Operating Ranges is not implied. Extended exposure to stresses beyond the Recommended Operating Ranges limits may affect device reliability.

ORDERING INFORMATION

See detailed ordering and shipping information on page 5 of this data sheet.

LA1654C

Operating Characteristics at $T_a = 25^\circ\text{C}$, $V_{CC} = 3.0\text{V}$

* : Packaged in a VSON16 package and measured using the SON11T016-001-MF socket (Yamaichi Electronics Co., Ltd.)

Overall Characteristics

Parameter	Symbol	Conditions	Ratings			Unit
			min	typ	max	
Quiescent current	I_{CCO}	No input, PAD15 = 0V, PAD10 = 3V	30	37	50	μA
Standby mode current drain	I_{STB}	PAD15 = 3.0V			0.05	μA

AGC Amplifier Input Characteristics

Parameter	Symbol	Conditions	Ratings			Unit
			min	typ	max	
Input impedance	Z_I	PAD1		800		$\text{k}\Omega$
Input frequency range	F_{IN}	PAD1	37.5		80.0	kHz
Minimum input voltage	V_{MIN}	PAD1 input level			1	μV_{rms}
Maximum input voltage	V_{MAX}	PAD1 input level	100			mV_{rms}

TCO Output Characteristics - Input signal = PAD1, $f_{in} = 40\text{kHz}$, PAD10 = 3V, PAD15 = 0V

Parameter	Symbol	Conditions	Ratings			Unit
			min	typ	max	
High-level output voltage	V_{OH}	PAD11 output level	2.9		3.0	V
Low-level output voltage	V_{OL}	PAD11 output level	0		0.1	V
Output pulse width (500 ms input)	T500	$V_{IN} = 0$ to 100dB μV , AM modulation (1Hz square wave, duty = 50%, 10:1 modulation)	400	520	600	ms
Output pulse width (800 ms input)	T800	$V_{IN} = 0$ to 100dB μV , AM modulation (1Hz square wave, duty = 80%, 10:1 modulation)	600	730	800	ms
Output pulse width (200 ms input)	T200	$V_{IN} = 0$ to 100dB μV , AM modulation (1Hz square wave, duty = 20%, 10:1 modulation)	200	300	400	ms

STB Control Characteristics

Parameter	Symbol	Conditions	Ratings			Unit
			min	typ	max	
Standby on voltage	V_{SH}	PAD15 DC voltage	2.9		3.0	V
Standby off voltage	V_{SL}	PAD15 DC voltage	0		0.1	V
High-level pin input current	I_{SH}	PAD15 = 3V			0.1	μA
Low-level pin input current	I_{SL}	PAD15 = 0V			0.3	μA

HOLD Control Characteristics - PAD15 = 0V

Parameter	Symbol	Conditions	Ratings			Unit
			min	typ	max	
Hold on voltage	V_{HL}	PAD10 DC voltage	0		0.1	V
Hold off voltage	V_{HH}	PAD10 DC voltage	2.9		3.0	V
High-level pin input current	I_{HH}	PAD10 = 3V			0.1	μA
Low-level pin input current	I_{HL}	PAD10 = 0V			0.3	μA

Product parametric performance is indicated in the Electrical Characteristics for the listed test conditions, unless otherwise noted. Product performance may not be indicated by the Electrical Characteristics if operated under different conditions.

LA1654C

Chip Specifications

Parameter	Conditions	Ratings	Unit
Chip size		1.26×2.00	mm ²
Chip thickness		330(±20)	μm
Pad size		127.5×127.5	μm ²
Pad opening		105×105	μm ²

PAD Coordinates

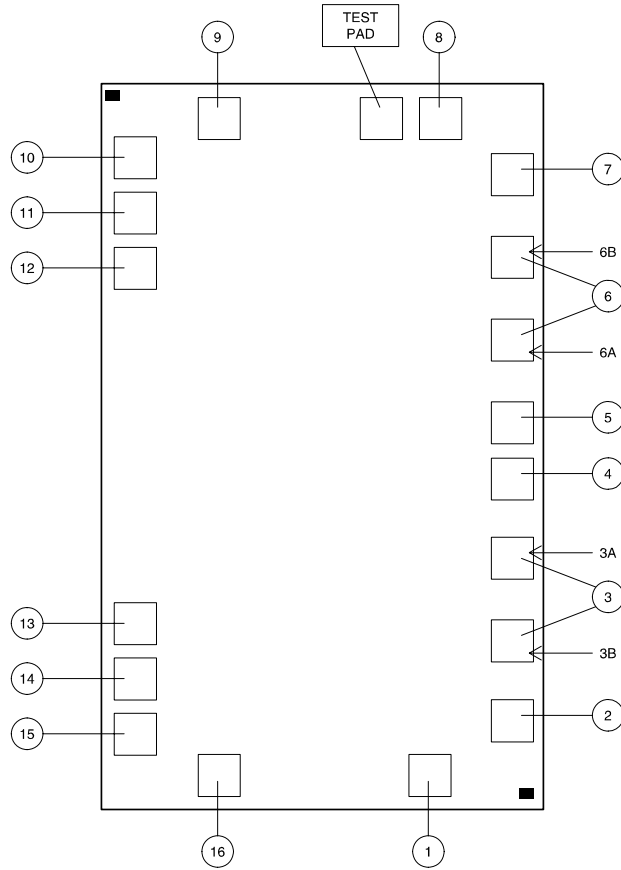
PAD	X-Axis	Y-Axis	PAD	X-Axis	Y-Axis
P1	902	151	TEST PAD	776.5	1849
P2	1109	299.5	P9	368.5	1849
P3A	1109	717.5	P10	151	1747
P3B	1109	508.5	P11	151	1600
P4	1109	926.5	P12	151	1453
P5	1109	1073.5	P13	151	547
P6A	1109	1282.5	P14	151	400
P6B	1109	1491.5	P15	151	253
P7	1109	1700.5	P16	368.5	151
P8	926	1849			

Notes

1. The left upper corner of the Pad Layout Diagram on the following page is the origin, the X axis increases to the right and the Y axis increases in the downward direction.
2. Units : μm
3. The pad coordinates give the coordinate values of the center of the pads.
4. Both of each of the pairs P3A/P3B (V_{CC}) and P6A/P6B (ground) must be bonded.
5. The test pads must not be connected (NC).

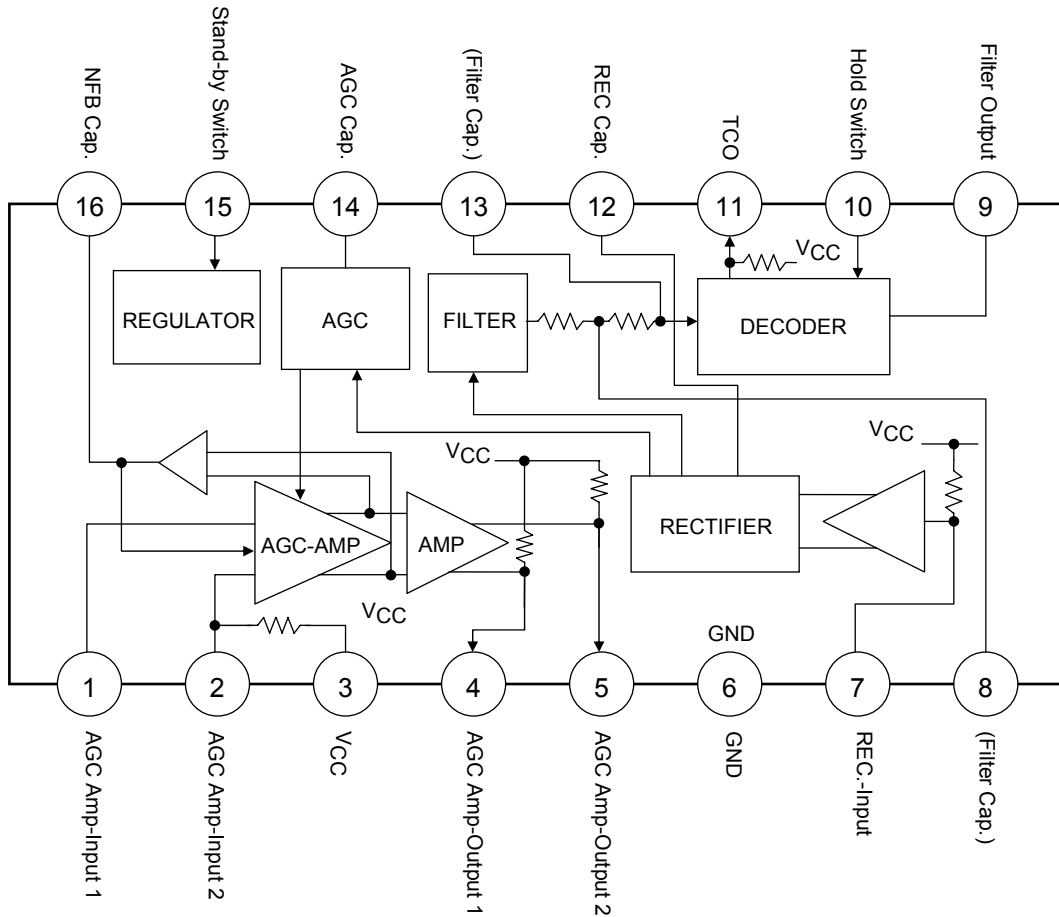
LA1654C

Pad Layout Diagram



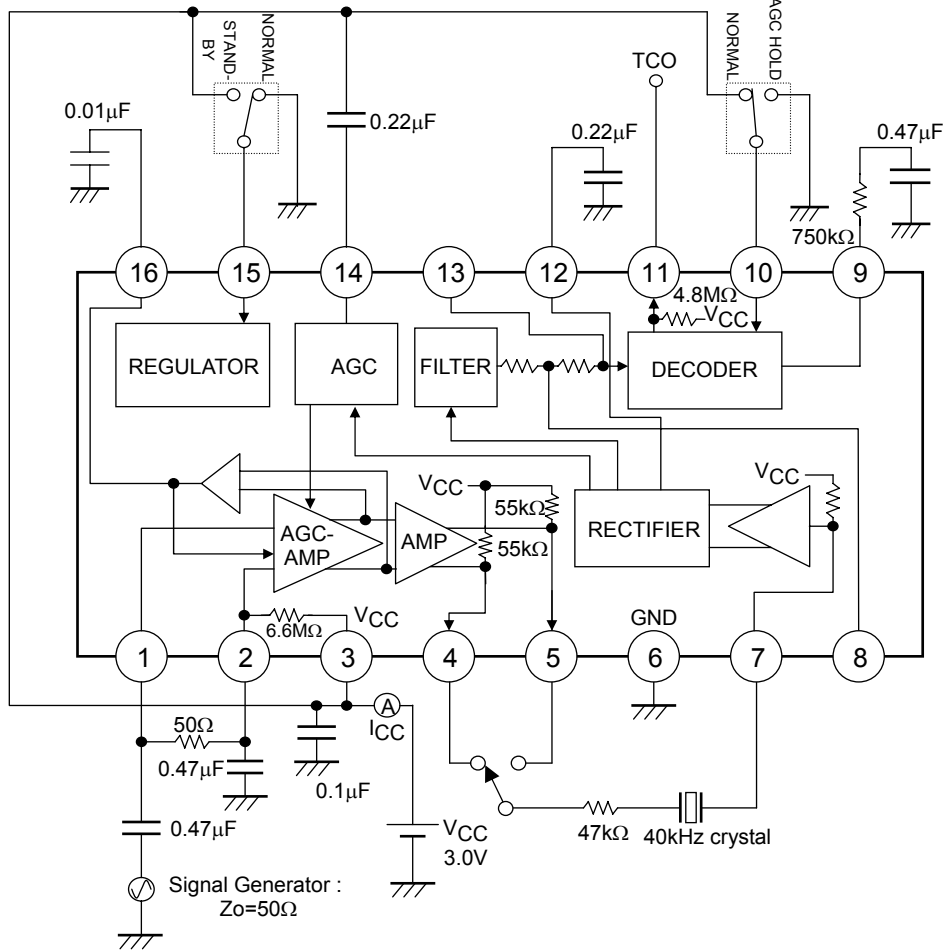
PCA00620

Block Diagram



PCA00621

Test Circuit Diagram



PCA00622

ORDERING INFORMATION

Device	Package	Shipping (Qty / Packing)
LA1654C-X1	Chip (Pb-Free)	2250 / Waffle Pack

ON Semiconductor and the ON logo are registered trademarks of Semiconductor Components Industries, LLC (SCILLC). SCILLC owns the rights to a number of patents, trademarks, copyrights, trade secrets, and other intellectual property. A listing of SCILLC's product/patent coverage may be accessed at www.onsemi.com/site/pdf/Patent-Marking.pdf. SCILLC reserves the right to make changes without further notice to any products herein. SCILLC makes no warranty, representation or guarantee regarding the suitability of its products for any particular purpose, nor does SCILLC assume any liability arising out of the application or use of any product or circuit, and specifically disclaims any and all liability, including without limitation special, consequential or incidental damages. "Typical" parameters which may be provided in SCILLC data sheets and/or specifications can and do vary in different applications and actual performance may vary over time. All operating parameters, including "Typicals" must be validated for each customer application by customer's technical experts. SCILLC does not convey any license under its patent rights nor the rights of others. SCILLC products are not designed, intended, or authorized for use as components in systems intended for surgical implant into the body, or other applications intended to support or sustain life, or for any other application in which the failure of the SCILLC product could create a situation where personal injury or death may occur. Should Buyer purchase or use SCILLC products for any such unintended or unauthorized application, Buyer shall indemnify and hold SCILLC and its officers, employees, subsidiaries, affiliates, and distributors harmless against all claims, costs, damages, and expenses, and reasonable attorney fees arising out of, directly or indirectly, any claim of personal injury or death associated with such unintended or unauthorized use, even if such claim alleges that SCILLC was negligent regarding the design or manufacture of the part. SCILLC is an Equal Opportunity/Affirmative Action Employer. This literature is subject to all applicable copyright laws and is not for resale in any manner.