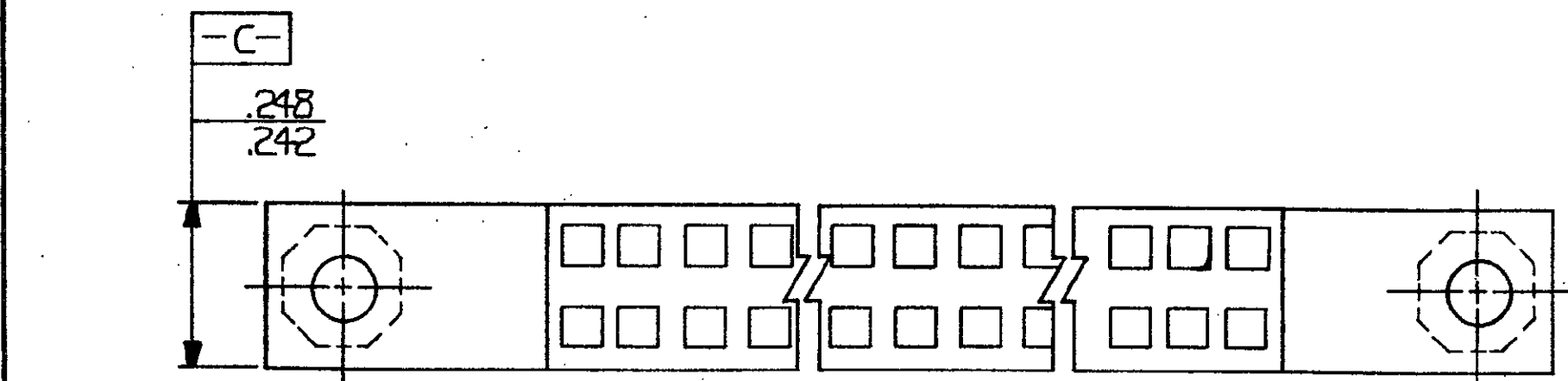
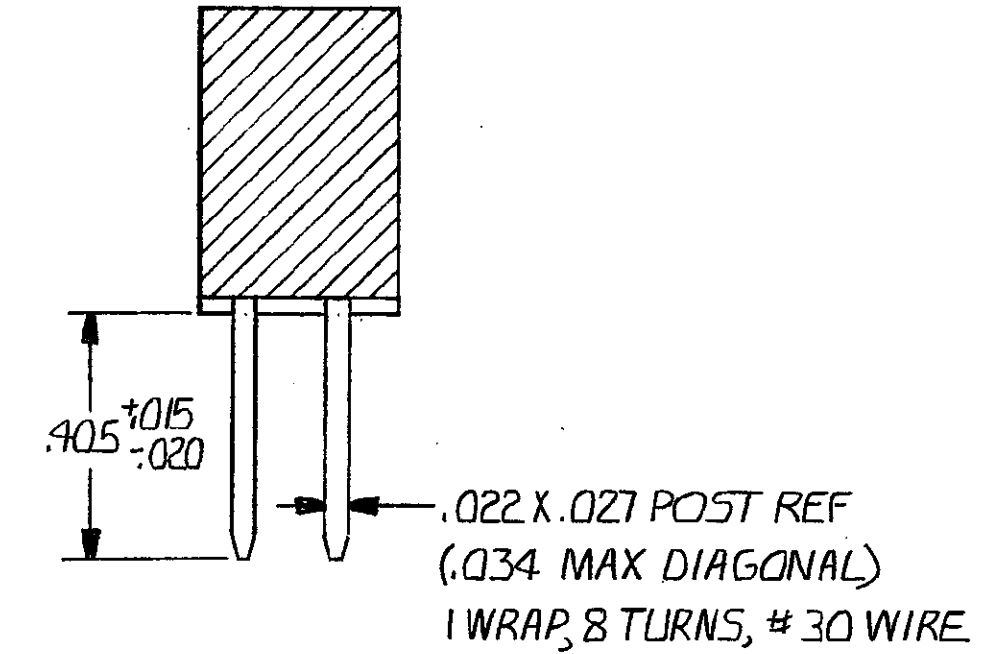
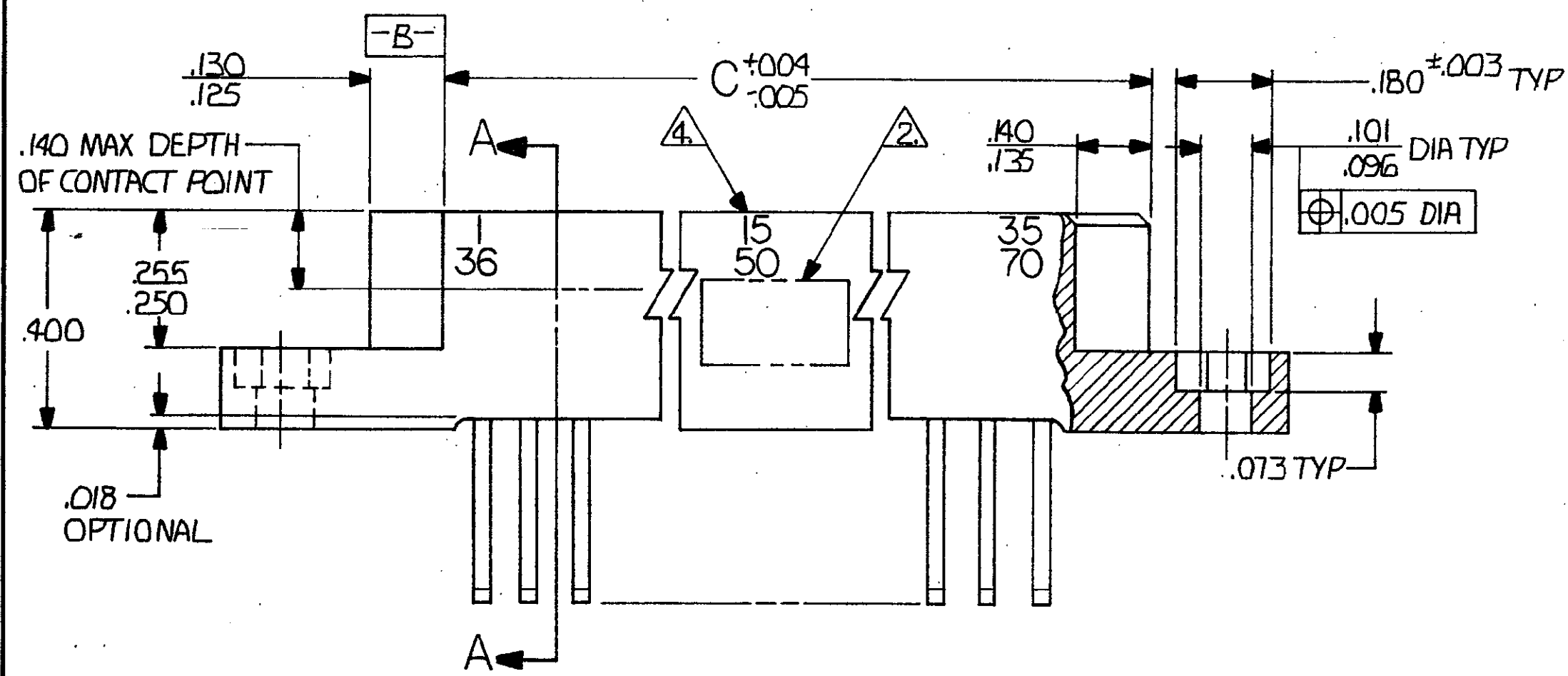
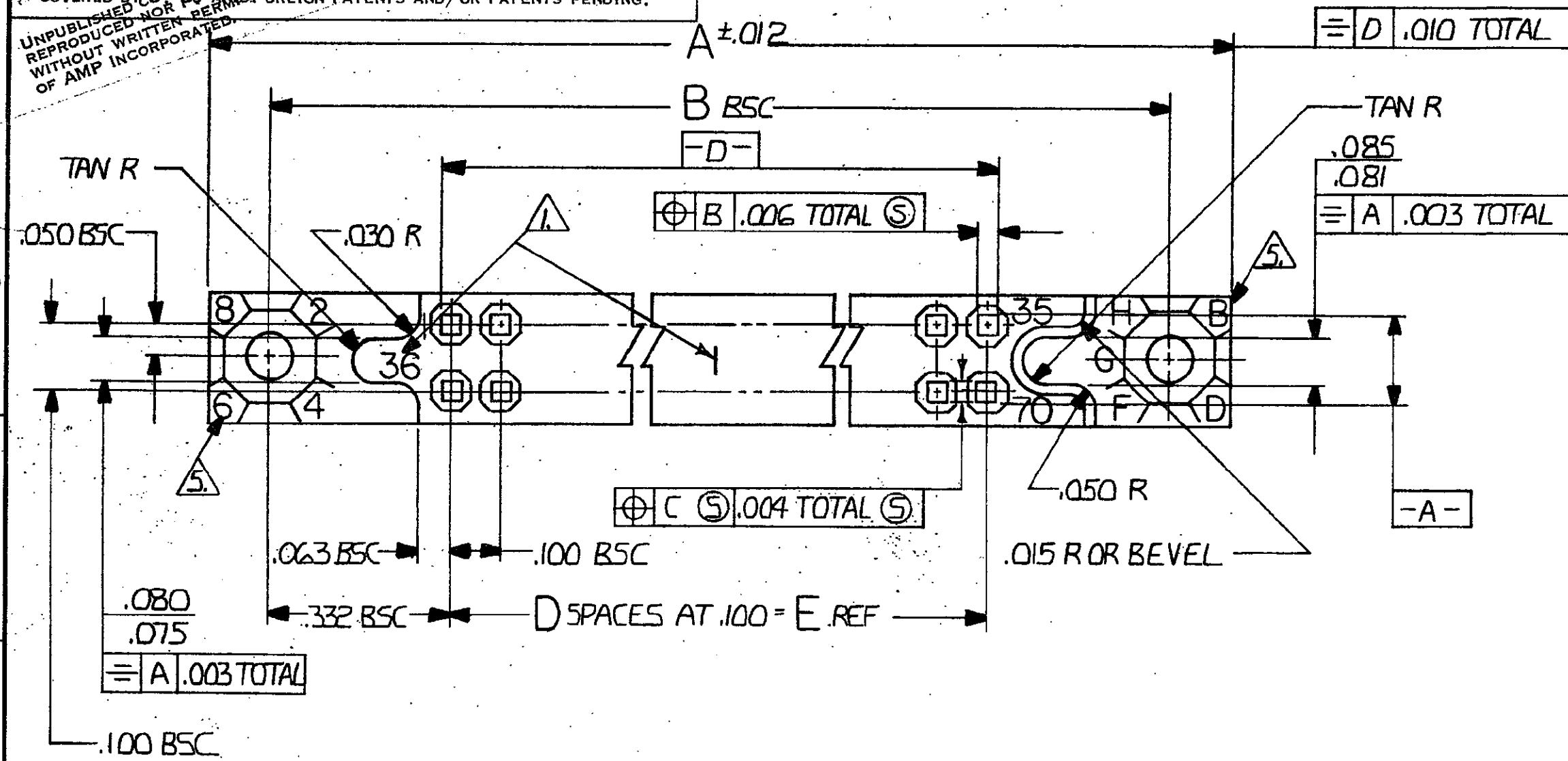


© COPYRIGHT 1976 BY AMP INCORPORATED, HARRISBURG, PA. ALL INTERNATIONAL RIGHTS RESERVED. AMP INCORPORATED PRODUCTS COVERED BY COPYRIGHT, PATENTS, FOREIGN PATENTS AND/OR PATENTS PENDING.  
 UNPUBLISHED COPY NOT TO BE REPRODUCED OR TRANSMITTED IN ANY FORM OR BY ANY MEANS WITHOUT WRITTEN PERMISSION OF AMP INCORPORATED.

REVISIONS						
P	F	ZONE	LTR	DESCRIPTION	DATE	APPROVED
		F		ECO-08-020831	PY 10-08	BW



UNLESS OTHERWISE SPECIFIED DIMENSIONS ARE IN INCHES. TOLERANCES ON: DECIMALS $\pm .005$ ANGLES $\pm .005$		CONTRACT NO		PART NO	
MATERIAL		DR <i>Robert Wolbert</i> 11-12-76		AMP INCORPORATED Harrisburg, Pa.	
FINISH		CHK <i>R. Williams</i> 11-23-76		NAME BOX CONNECTOR RECEPTACLE ASSY .100 GRID EXTERNAL KEYING	
7.8		APPD <i>R. Williams</i> 11-23-76		SIZE CODE IDENT NO DRAWING NO	
8.		APPD <i>D.C. Myers</i> 11-29-76		C 00779 530781	
		DSGN APPD		REV F	
		OTHER APPD		SCALE 4-1 SHEET 1 OF 2	

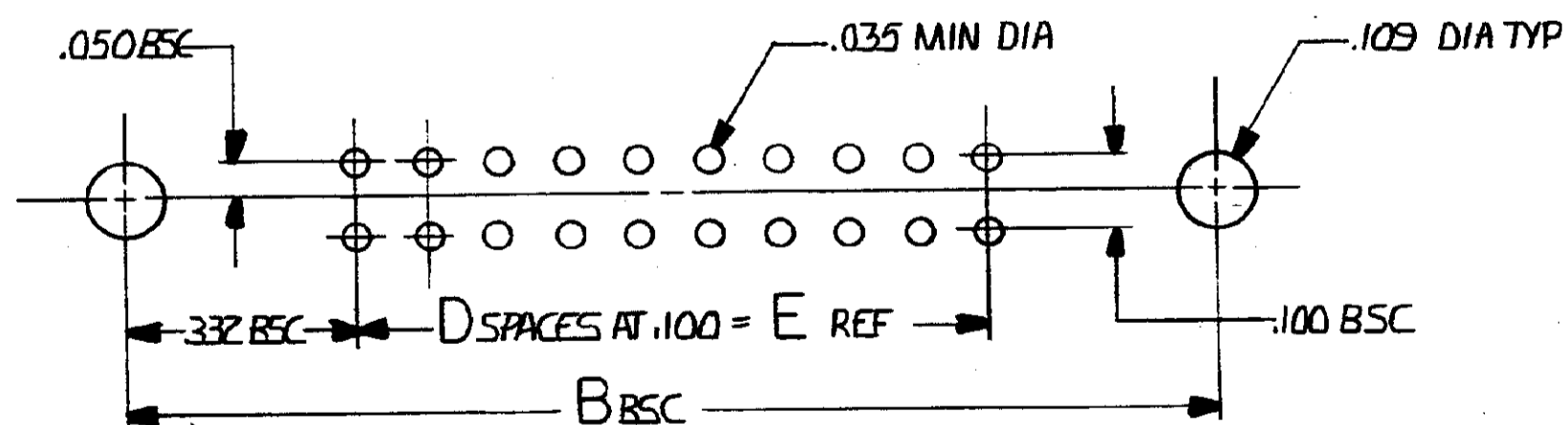
DRAWING MADE IN THIRD ANGLE PROJECTION

© COPYRIGHT 1976 AMP INCORPORATED, HARRISBURG, PA.  
 ALL INTERNATIONAL RIGHTS RESERVED. AMP INCORPORATED PRODUCTS  
 COVERED BY U. S. PATENTS AND/OR PATENTS PENDING.

UNPUBLISHED COPY NOT TO BE REPRODUCED OR TRANSMITTED IN ANY FORM OR BY ANY MEANS WITHOUT WRITTEN PERMISSION OF AMP INCORPORATED.

P		F		Z		L		T		R		REVISIONS		DATE	APPROVED
SEE SHEET 1 OF 2															

- 1. NUMBERS AND LINES INDICATING EVERY FIVE CAVITIES MARKED ON MATING FACE.
- 2. AMP PART NUMBER DATE CODE, 00779 & MILITARY PART NUMBER MARKED IN THIS AREA SIDE OPTIONAL
- 3. MUST MEET ALL APPLICABLE REQUIREMENTS OF MIL-C-55302.
- 4. NUMBERS INDICATING EVERY FIVE CAVITIES MARKED ON SIDE
- 5. KEY POSITION IDENTIFICATION MOLDED ON SURFACES SHOWN.
- 6. USE EXTERNAL KEY NUMBER 530341-1 MATES WITH PART NUMBER 530339.
- 7. HOUSING MATERIAL: DIALLYL PHTHALATE COLOR: BLUE PER MIL-M-14 TYPE SDG-F.
- 8. CONTACT MATERIAL: BERYLLIUM COPPER .000050 GOLD OVER NICKEL.



RECOMMENDED PRINTED CIRCUIT BOARD LAYOUT

M55302/27-225	71	190 <sup>70</sup>	6.900	69	7.165	7.565	7.855	140	1-530781-3
M55302/27-224	68	134 <sup>67</sup>	6.600	66	6.865	7.265	7.555	134	1-530781-2
M55302/27-223	66	130 <sup>65</sup>	6.400	64	6.665	7.065	7.355	130	1-530781-1
M55302/27-222	61	120 <sup>60</sup>	5.900	59	6.165	6.565	6.855	120	1-530781-0
M 55302/27-171	56	110 <sup>55</sup>	5.400	54	5.665	6.065	6.355	110	530781-9
M 55302/27-170	51	100 <sup>50</sup>	4.900	49	5.165	5.565	5.855	100	8
M 55302/27-169	46	90 <sup>45</sup>	4.400	44	4.665	5.065	5.355	90	7
M 55302/27-168	41	80 <sup>40</sup>	3.900	39	4.165	4.565	4.855	80	6
M 55302/27-167	36	70 <sup>35</sup>	3.400	34	3.665	4.065	4.355	70	5
M 55302/27-166	31	60 <sup>30</sup>	2.900	29	3.165	3.565	3.855	60	4
M 55302/27-165	26	50 <sup>25</sup>	2.400	24	2.665	3.065	3.355	50	3
M 55302/27-164	21	40 <sup>20</sup>	1.900	19	2.165	2.565	2.855	40	2
M 55302/27-163	16	30 <sup>15</sup>	1.400	14	1.665	2.065	2.355	30	530781-1
M 55302	CONTACT IDENTIFICATION NO		E	D	C	B	A	NO OF CONTACTS	PART NO

UNLESS OTHERWISE SPECIFIED DIMENSIONS ARE IN INCHES. TOLERANCES ON: DECIMALS ± .005 ANGLES ± .005	CONTRACT NO	AMP INCORPORATED Harrisburg, Pa.	
	DR Robert Weber 11-15-76	NAME BOX CONNECTOR RECEPTACLE	
MATERIAL 1. 8.	CHK R. Williams 11-23-76	ASSY .100 GRID EXTERNAL KEYING	
FINISH 8.	APPD R. Williams 11-23-76	SIZE C	REV F
	APPD D. Myers 11-29-76	CODE 00779	IDENT NO 530781
	DSGN APPD	DRAWING NO 530781	SHEET 2 OF 2
	OTHER APPD	SCALE 4:1	

CUSTOMER DRAWING

530781