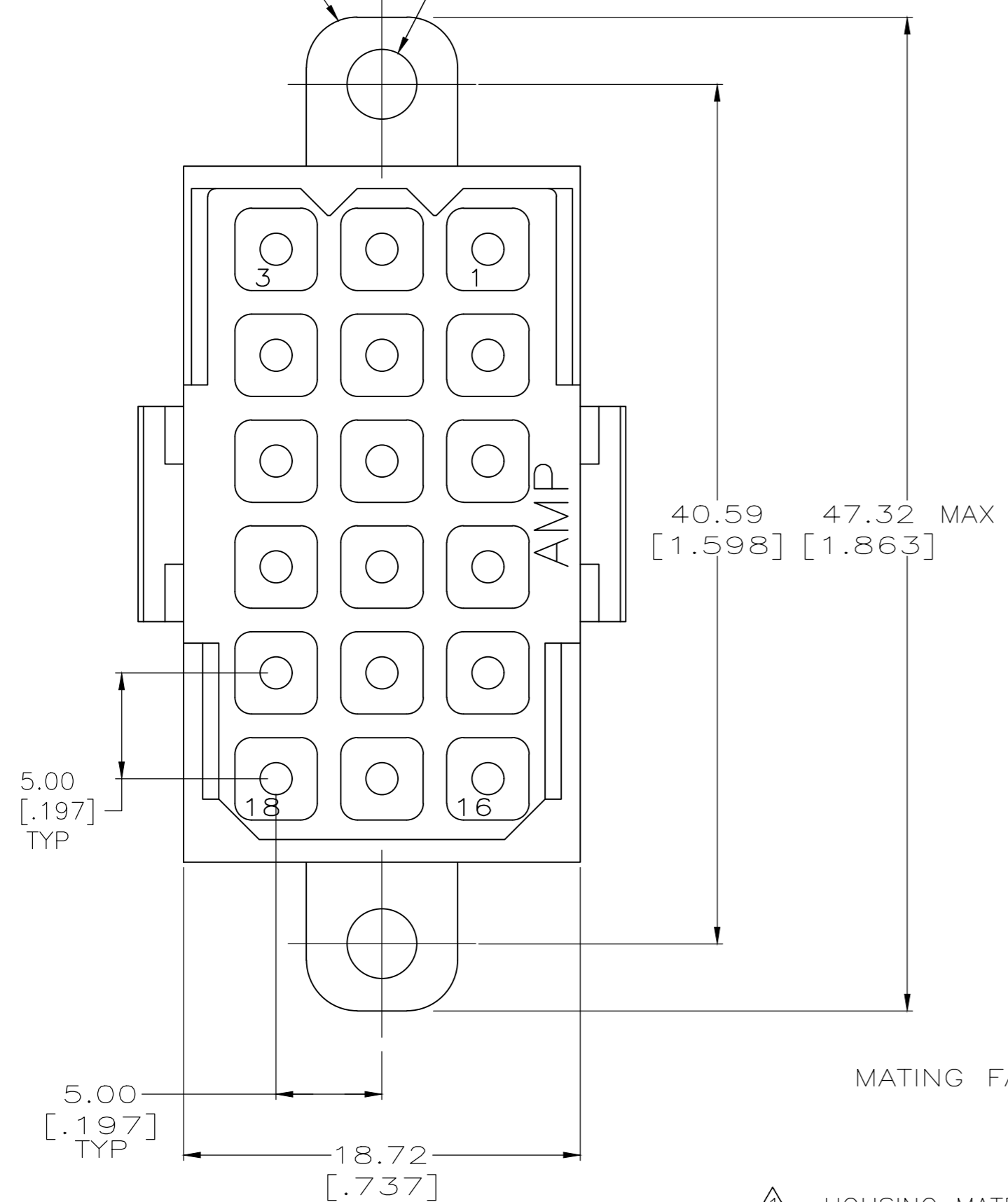


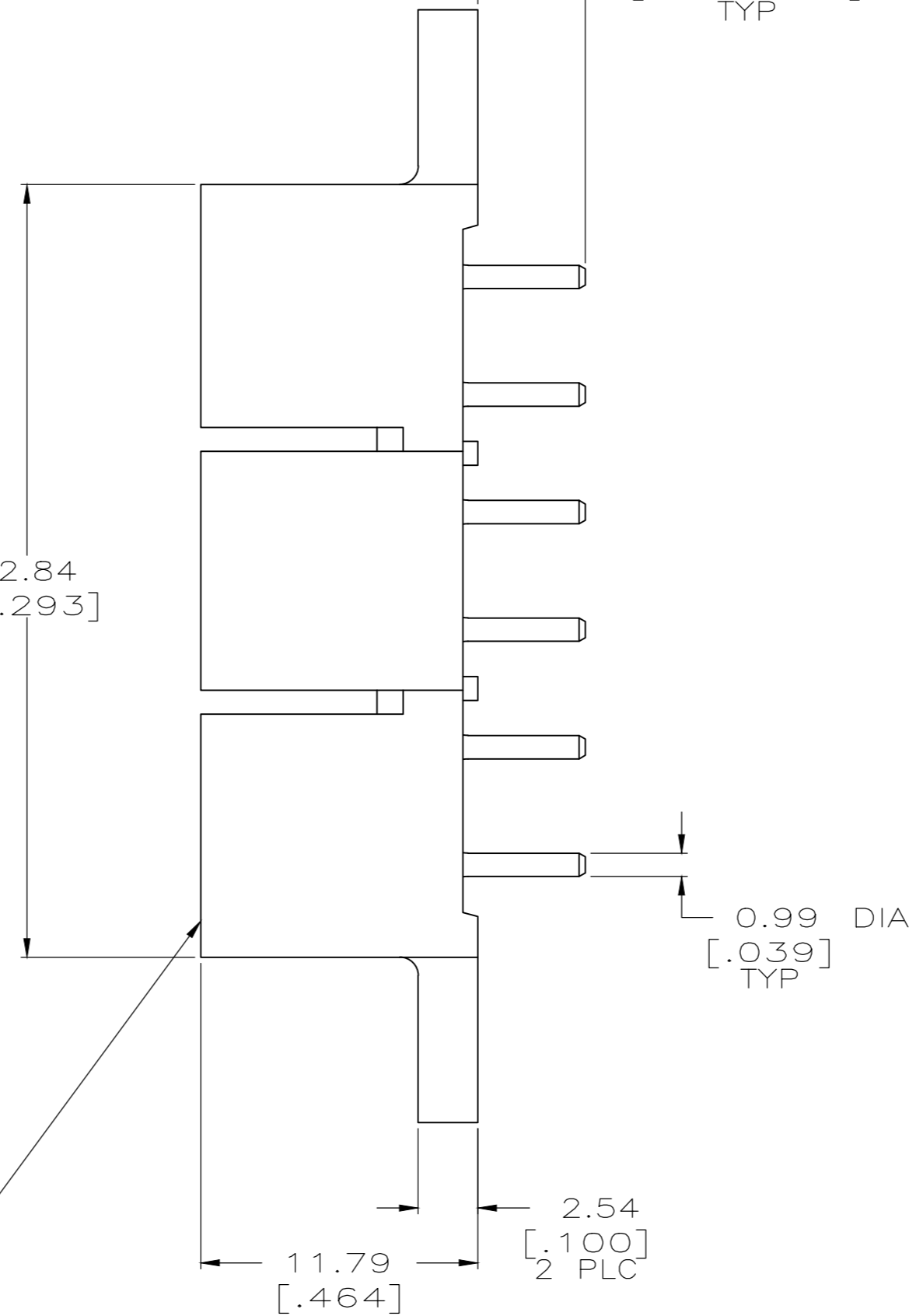
REVISIONS					
P	LTR	DESCRIPTION	DATE	DWN	APVD
M		REVISED PER 0G3B-0164-05	23JAN2018	RS	MZ
N		REVISED PER ECO-20-002045	13FEB2020	RK	MZ

MOUNTING TAB
2 PLC
SEE TABLE

3.30±0.10 DIA
[.130±.004]
2 HOLES

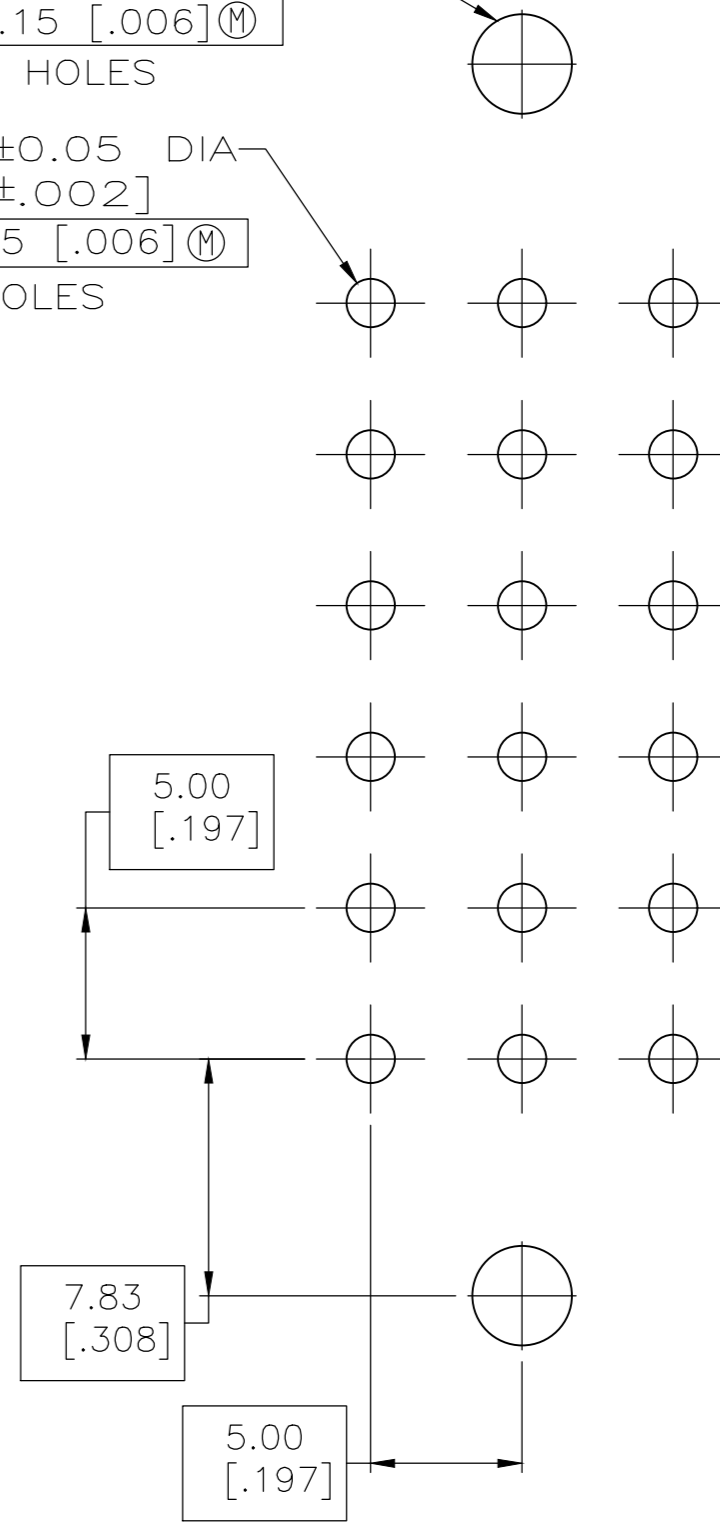


4.60±0.64
[.181±.025]
TYP



3.30±0.05 DIA
[.130±.002]
⊕ Ø 0.15 [.006] (M)
2 HOLES

1.60±0.05 DIA
[.063±.002]
⊕ Ø 0.15 [.006] (M)
18 HOLES



5.00 [.197] TYP

18.72 [.737]

MATING FACE

0.99 DIA
[.039] TYP

2.54 [.100] 2 PLC

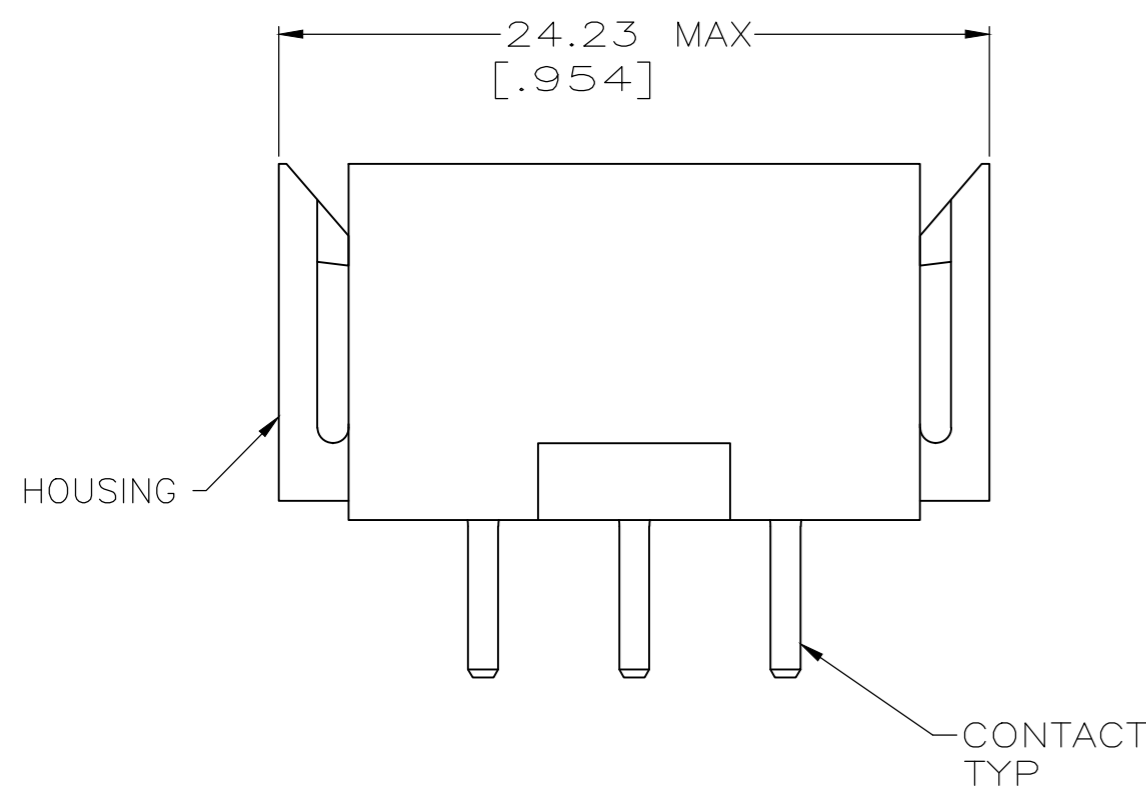
11.79 [.464]

RECOMMENDED PC BOARD LAYOUT

- ① HOUSING MATERIAL: PA66, BLACK, UL 94 V-0 RATED
- ② CONTACT MATERIAL: BRASS PER ASTM B36
- ③ 3.81µm [.000150] MIN TIN OVER 2.54µm [.000100] MIN COPPER.
- ④ 0.76µm [.000030] MIN GOLD FOR A LENGTH OF 5.08 [.200] FROM MATING END, 3.81µm [.000150] MIN TIN-LEAD FOR A LENGTH OF 4.83 [.190] MIN FROM OPPOSITE END, BOTH OVER 1.27µm [.000050] MIN NICKEL.
- ⑤ 0.76µm [.000030] MIN GOLD FOR A LENGTH OF 5.08 [.200] FROM MATING END, 3.81µm [.000150] MIN LEAD FREE TIN FOR A LENGTH OF 4.83 [.190] MIN FROM OPPOSITE END, BOTH OVER 1.27µm [.000050] MIN NICKEL.
- ⑥ 3.81µm [.000150] MIN LEAD FREE TIN OVER 2.54µm [.000100] MIN COPPER.

OBSOLETE
OBSOLETE
OBSOLETE
OBSOLETE

REV	DESCRIPTION	DATE	BY	CHK
5	NO	1-207444-1		
6	NO	1-207444-0		
6	YES	207444-9		
5	YES	207444-8		
4	NO	207444-4		
4	YES	207444-3		
3	NO	207444-2		
3	YES	207444-1		



THIS DRAWING IS A CONTROLLED DOCUMENT.		DWN	03/11/92	L.SIPE	
DIMENSIONS: mm [INCHES]		CHK	3-17-92	R.STONE	
TOLERANCES UNLESS OTHERWISE SPECIFIED:		APVD	3-17-92	A.TRAVIS	
0 PLC	± -	PRODUCT SPEC		108-10033	
1 PLC	± -	APPLICATION SPEC		-	
2 PLC	± 0.25 [.010]	WEIGHT		0.000000	
3 PLC	± -	SCALE		A2 00779 C=207444	
4 PLC	± -	SHEET		1 OF 1	
ANGLES	± -	CUSTOMER DRAWING		SCALE 4:1	
MATERIAL	FINISH	CONTACT: SEE TABLE		REV N	