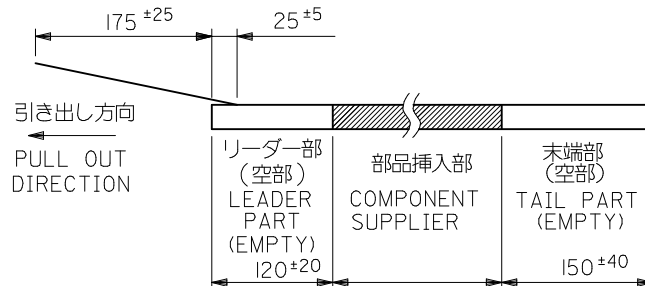


注記 NOTES

1. 梱包数量：1000個/リール NUMBER OF CONNECTORS:1000PCS/REEL

2. リードテープ長さ LEAD TAPE LENGTH

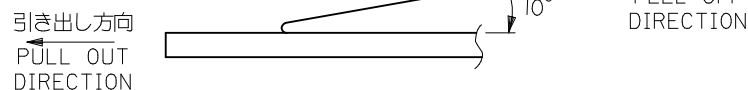
トップテープ TOP TAPE
リーダー部 LEADER PART トップテープ TOP TAPE
未接着部 NON-BONDED PART



3. トップテープの剥離強度：(剥離方向は下図参照)

0.1N ~ 1.3N(10gf ~ 130gf) 尚、本規格値は、出荷時に適用。
(但し、輸送時に剥離が発生しない事。)

PEELING OFF FORCE OF TOP TAPE
0.1N ~ 1.3N(10gf ~ 130gf) (PEELING DIRECTION AS SHOWN IN FOLLOWING FIG.)
THIS REQUIREMENT SHOULD BE APPLIED AT SHIPMENT
PEEL OFF SHOULD NOT BE ALLOWED,
DURING TRANSPORTATION

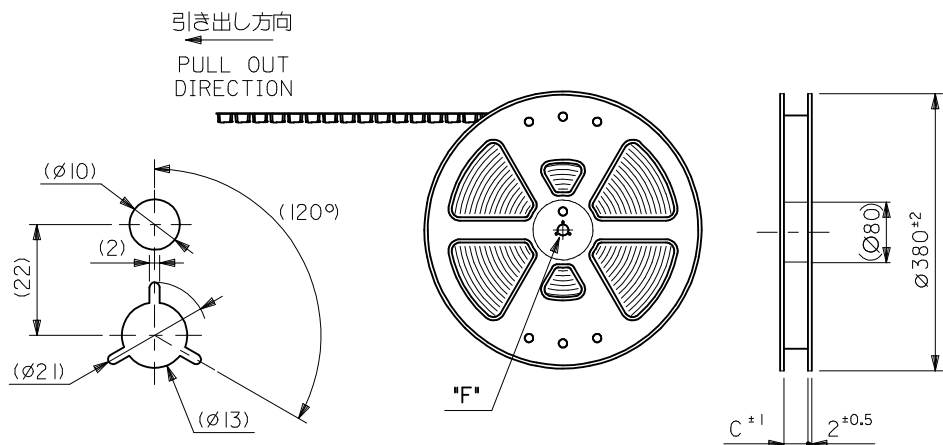


4. 材料

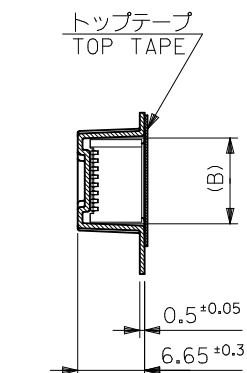
MATERIAL

キャリアテープ：ポリプロピレン (PP) CARRIER TAPE:POLYPROPYLENE
トップテープ：PET, PE, PEF TOP TAPE:PET,PE,PEF
リール：ポリスチレン (PS) REEL:POLYSTYREN(PS)
<リサイクル材を含む> <RECYCLE MATERIAL CONTAINED>

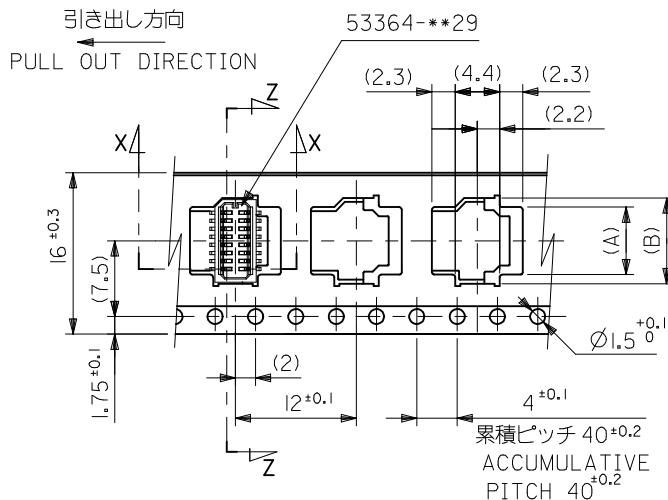
5. 本製品は 53364-**91 の鉛フリー品である。
THIS PRODUCT IS LEAD FREE OF 53364-**91.



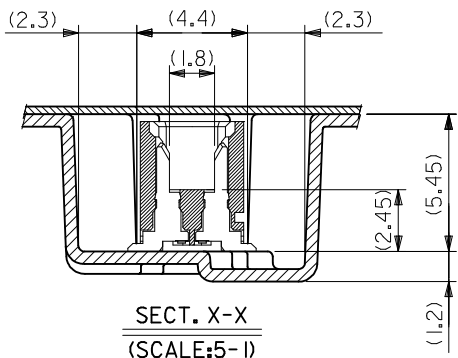
DETAIL "F"



SECT. Z-Z

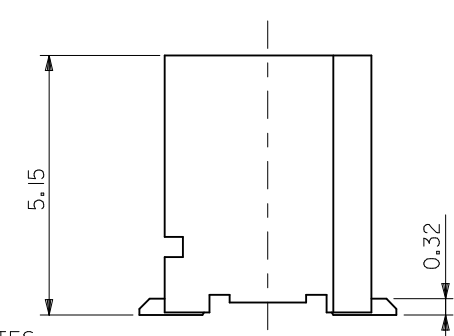
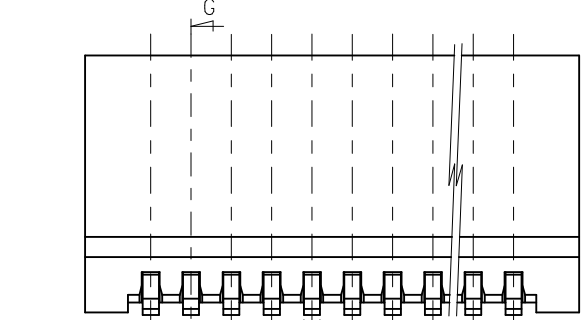
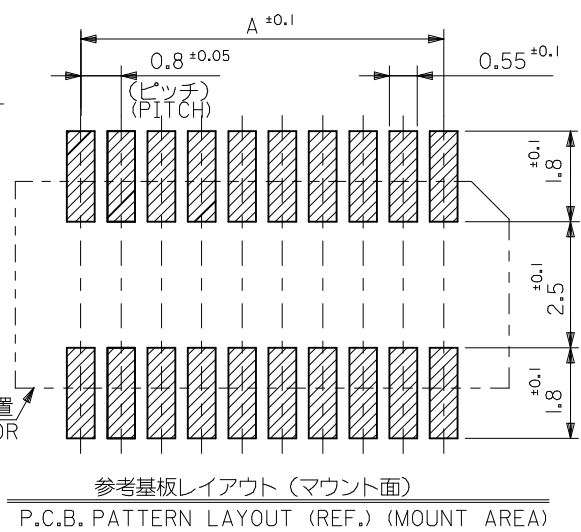
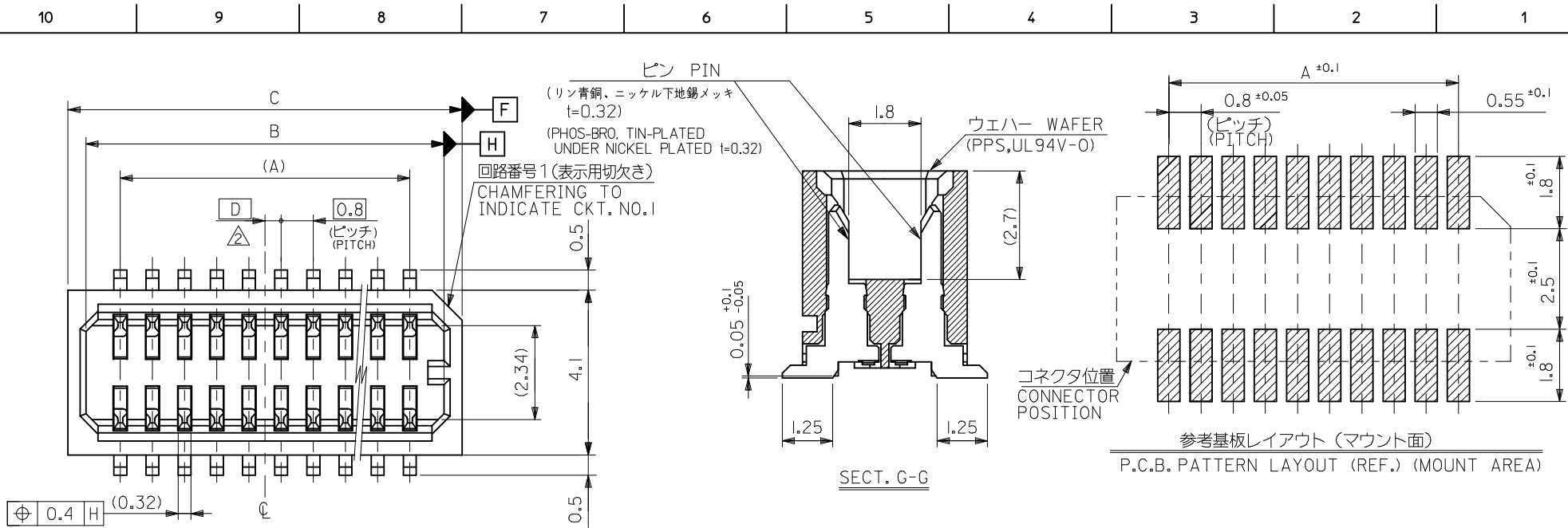


16mm幅キャリアテープ
16mm WIDTH CARRIER TAPE



16	17.5	9.3	7.5	53364-1871	18
キャリアテープ幅 CARRIER TAPE WIDTH	C	(B)	(A)	MATERIAL. NO.	極数 CIRCUIT

REVISED EC NO: J2016-0873 DRWN:HON001 CHKD:RTAKEUCHI APPR:KMORIKAWA	DESCRIPTION 2016/02/12 2016/02/25 2016/02/29	GENERAL TOLERANCES (UNLESS SPECIFIED)		DIMENSION STYLE MM ONLY		SCALE ---	DESIGN UNITS METRIC	THIRD ANGLE PROJECTION	
		0.25 UNDER	UNDER	±0.03	DRAWN BY MNINOMIYA	DATE 2003/12/11	TITLE 0.8 BTB CONN WAFER ASSY ST SMT WITHOUT BOSS -LEAD FREE-		
		0.25 OVER	0.5 UNDER	±0.05	CHECKED BY KTOJO	DATE 2003/12/11			
		0.5 OVER	1.0 UNDER	±0.1	APPROVED BY	DATE			
1.0 OVER	10 UNDER	±0.20	DRAFT WHERE APPLICABLE MUST REMAIN WITHIN DIMENSIONS			THIS DRAWING CONTAINS INFORMATION THAT IS PROPRIETARY TO MOLEX ELECTRONIC TECHNOLOGIES, LLC AND SHOULD NOT BE USED WITHOUT WRITTEN PERMISSION			
10 OVER	30 UNDER	±0.25	SIZE A3						
30 OVER		±0.30							

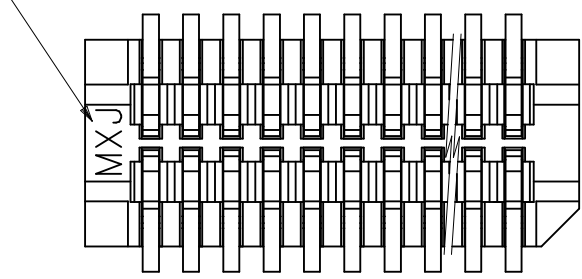


注記 NOTES

1. 嵌合相手: 52465, 52588 シリーズ
MATES WITH: 52465, 52588 SERIES
2. ウエハの ϕ から隣接するピンの ϕ 迄の位置を示す。
SHOW POSITION FROM ϕ OF WAFER TO ϕ OF ADJACENT PINS.
3. 本製品は 53364-**-27 の鉛フリー品である。
THIS PRODUCT IS LEAD FREE OF 53364-**-27.

0.8	18.6	17.7	16.0	53364-4229	42
0.4	16.2	15.3	13.6	53364-3629	36
0.8	13.8	12.9	11.2	53364-3029	30
0.4	9.8	8.9	7.2	53364-2029	20
0.8	9.0	8.1	6.4	53364-1829	18
D	C	B	A	MATERIAL NO.	極数 CKT.

トレードマーク TRADE MARK



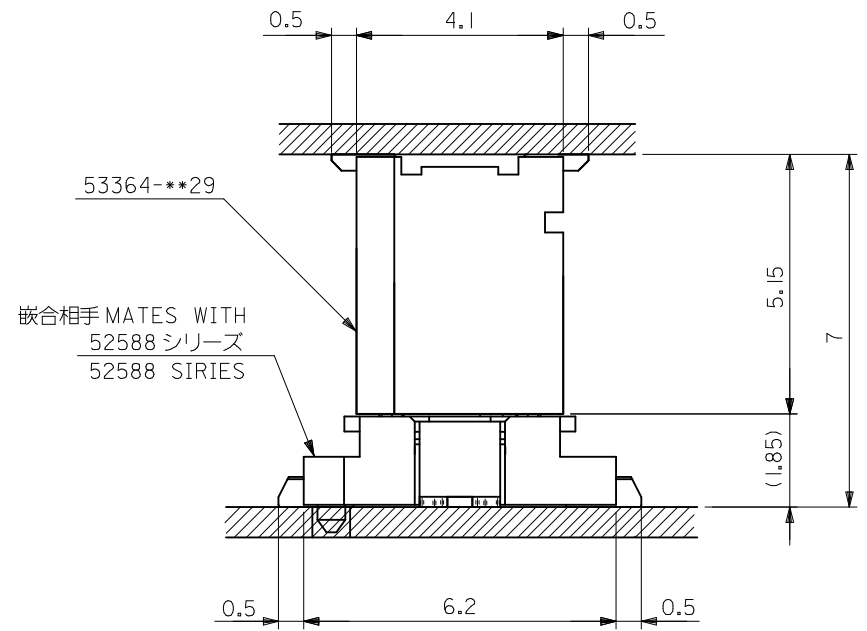
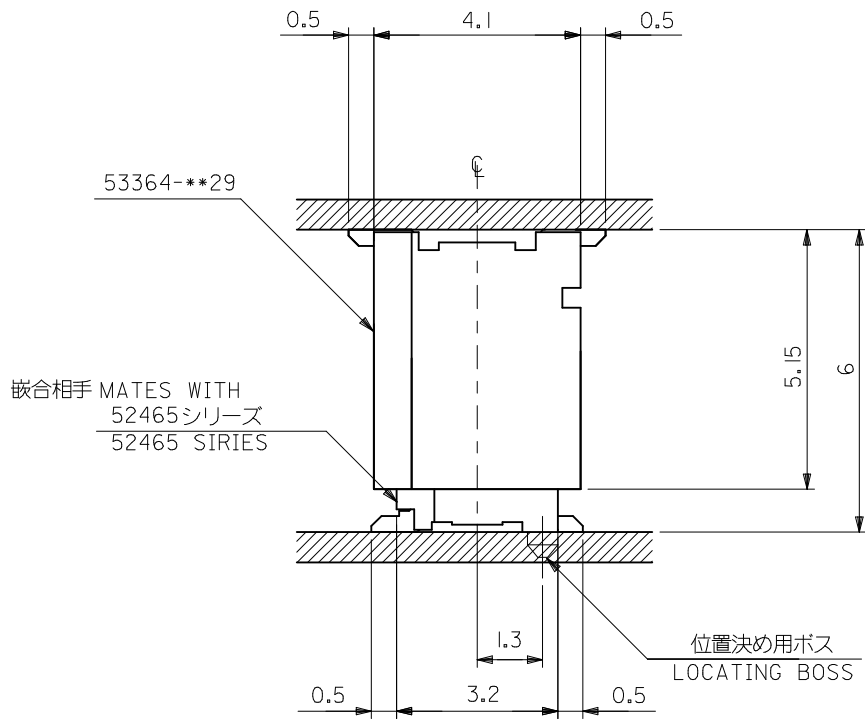
REVISED EC NO: J2016-0873 DRWN: HON001 2016/02/12 CHKD: RTAKEUCHI 2016/02/25 APPR: KMORIKAWA 2016/02/29	DESCRIPTION GENERAL TOLERANCES (UNLESS SPECIFIED) 0.25 UNDER UNDER ± 0.2 0.25 OVER 0.5 UNDER ± 0.2 0.5 OVER 1.0 UNDER ± 0.2 1.0 OVER 10 UNDER ± 0.2 10 OVER 30 UNDER ± 0.25 30 OVER ± 0.3 ANGULAR $\pm 3^\circ$	DIMENSION STYLE MM ONLY DRAWN BY: M. NINOMIYA DATE: '03/12/11 CHECKED BY: K. TOJO DATE: '03/12/11 APPROVED BY: M. SASAO DATE: '03/12/11 MATERIAL NO.	SCALE --- DESIGN UNITS METRIC THIRD ANGLE PROJECTION	TITLE 0.8 BOARD TO BOARD CONN. WAFER ASSY ST. SMT -LEAD FREE-	
				moLEX	
				DOCUMENT NO. SD-53364-003	
				SHEET NO. 1 OF 2	

SEE CHART

DRAFT WHERE APPLICABLE MUST REMAIN WITHIN DIMENSIONS

SIZE **A3**

THIS DRAWING CONTAINS INFORMATION THAT IS PROPRIETARY TO MOLEX ELECTRONIC TECHNOLOGIES, LLC AND SHOULD NOT BE USED WITHOUT WRITTEN PERMISSION



嵌合状態図 (参考)
MATED DRAWING (REF.)

REVISED EC NO: J2016-0873 DRWN:HON01 2016/02/12 CHK:D.TAKEUCHI 2016/02/25 APPR:KMORIKAWA 2016/02/29	GENERAL TOLERANCES (UNLESS SPECIFIED)			DIMENSION STYLE MM ONLY		SCALE ---	DESIGN UNITS METRIC	THIRD ANGLE PROJECTION
	0.25 UNDER	UNDER	±---	DRAWN BY	DATE	TITLE		
	0.25 OVER	0.5 UNDER	±---	M. NINOMIYA	'03/12/11	0.8 BOARD TO BOARD CONN. WAFER ASSY ST. SMT -LEAD FREE-		
	0.5 OVER	1.0 UNDER	±---	CHECKED BY	DATE	molex DOCUMENT NO. SD-53364-003 SHEET NO. 2 OF 2		
	1.0 OVER	30 UNDER	±---	K. TOJO	'03/12/11			
	10 OVER	30 UNDER	±---	APPROVED BY	DATE	SEE SHEET 1		
30 OVER		±---	M. SASAO	'03/12/11	THIS DRAWING CONTAINS INFORMATION THAT IS PROPRIETARY TO MOLEX ELECTRONIC TECHNOLOGIES, LLC AND SHOULD NOT BE USED WITHOUT WRITTEN PERMISSION			
ANGULAR		±--- °	MATERIAL NO.					
DRAFT WHERE APPLICABLE MUST REMAIN WITHIN DIMENSIONS				SIZE A3				