

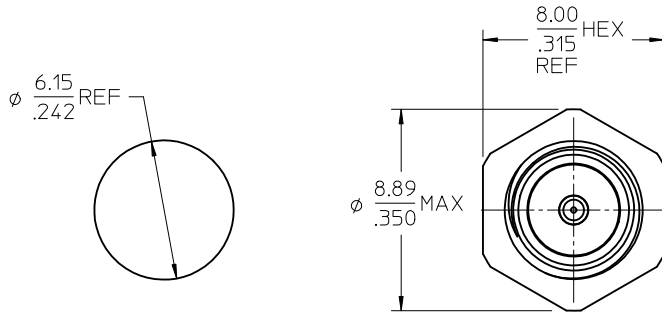
MATERIALS AND FINISHES

BODY, JAM NUT, LOCKWASHER STAINLESS STEEL  
PLATED GOLD

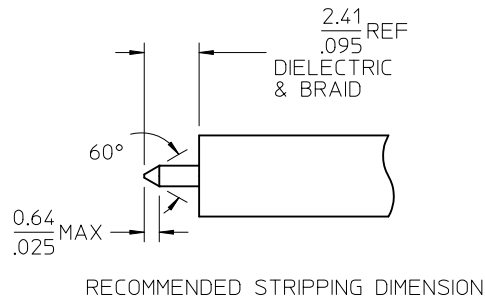
CENTER CONTACT BERYLLIUM COPPER  
PLATED GOLD

INSULATOR TEFLON

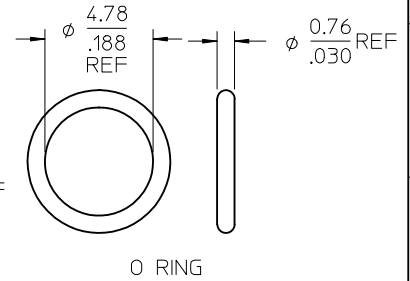
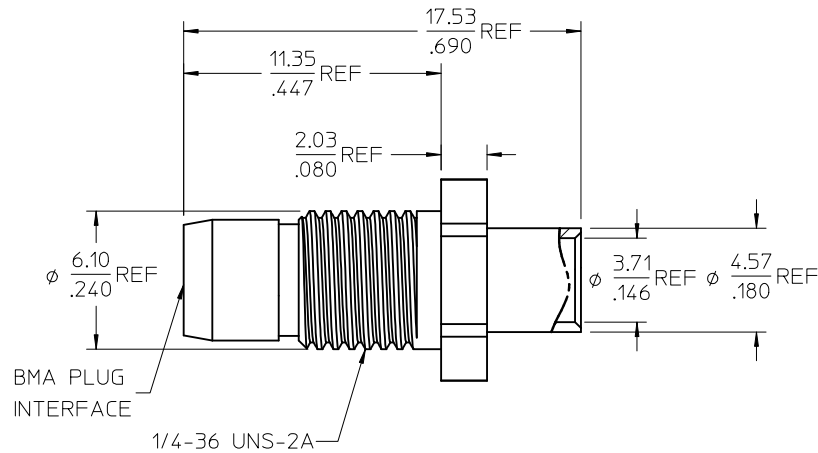
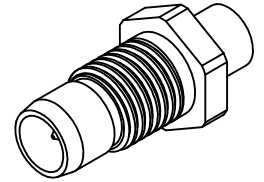
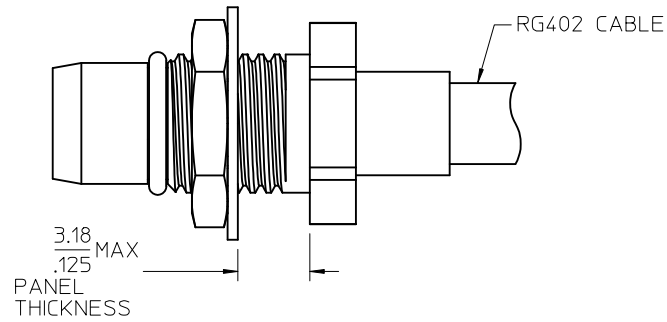
O RING SILICONE RUBBER



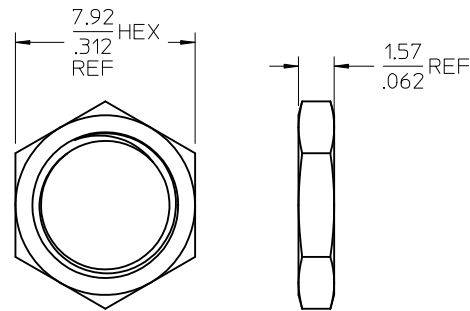
RECOMMENDED MOUNTING HOLE PATTERN



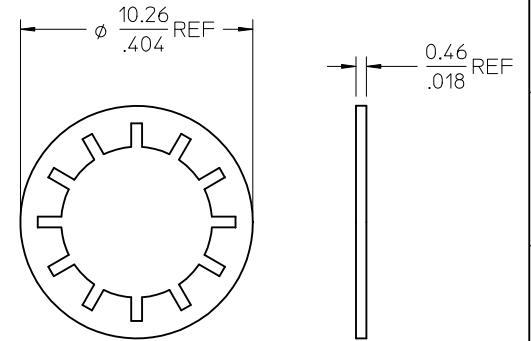
RECOMMENDED STRIPPING DIMENSION



O RING



JAM NUT



LOCKWASHER

PART # 73298-0000

MIL-STD-348A, FIG. 321.1	INTERFACE
SPECIFICATION	DESCRIPTION

CHG: NEW RELEASE ADDED STRIPPING DIM REMOVED AS-89678-9370	EC NO: URF2009-0014	DRWN:SSHAH 2008/07/14	CHKD:ROBERTSON 2008/07/14	APPR:JWENER 2008/07/14	DESCRIPTION
REV: A					

QUALITY SYMBOLS	GENERAL TOLERANCES (UNLESS SPECIFIED)
▽=0	4 PLACES ± .005
▽=0	3 PLACES ± .005
	2 PLACES ± .005
	1 PLACE ± .005
	ANGULAR ± 2°

DRAFT WHERE APPLICABLE MUST REMAIN WITHIN DIMENSIONS
--

DIMENSION STYLE	SCALE
MM/IN	DESIGN UNITS METRIC
DRAWN BY TEF	DATE 2003/10/30
CHECKED BY SSS	DATE 2003/10/30
APPROVED BY GMH	DATE 2003/10/30
MATERIAL NO. 732980000	DOCUMENT NO. SD-73298-000
SIZE C	SHEET NO. 1 OF 1

THIRD ANGLE PROJECTION
TITLE
BMA PLUG, BLKHD FOR SR141 AND RG402 CABLES, 50 OHM EWR-2214 BMA-PC
MOLEX INCORPORATED
THIS DRAWING CONTAINS INFORMATION THAT IS PROPRIETARY TO MOLEX INCORPORATED AND SHOULD NOT BE USED WITHOUT WRITTEN PERMISSION