



Dual Band 47dBi GPS/GNSS Survey Antenna 1,205-1,615 MHz TNC Female Connector IP67

Antennas Technical Data Sheet

PEANGPS1003

Features

- Dual Band
- IP67 Rated
- 1.205-1.278GHz and 1.559-1.615GHz
- Stable Phase Center
- Millimeter Level Accuracy
- TNC Female

Applications

- GPS L1/L2
- GLONASS L1/L2
- Galileo E1
- QZSS L1/L2
- SBAS L1
- Unmanned Vehicles/Vessels
- GIS Surveying
- Autonomous Vehicles

Description

The PEANGPS1003 is an active GPS/GNSS dual band L1/L2 antenna with 47.5 dBi overall gain. This high precision antenna is IP67 rated, light weight and designed for Survey. The active Survey GPS/GNSS antenna is ideally suited for use in harsh operating environments where stability and reliability of GPS/GNSS signal is required.

This antenna operates in the 1.205-1.278GHz and 1.559-1.615GHz bands meeting GPS L1/L2, GALILEO E1 and GLONASS L1/L2 requirements. The PEANGPS1003 antenna has an integrated LNA with 2 dB noise figure and typical LNA gain of 40 dB.

The PEANGPS1003 GPS antenna from Pasternack, with an axial ratio of 3 dB, can track visible satellites under extreme conditions, providing positioning solutions with accuracy for UAV navigation, autonomous tracking, or GIS surveying.

Configuration

Design	GPS/GNSS
Band Type	Dual
Polarization	RHCP
Connector Type	TNC Female

Electrical Specifications

Description	Minimum	Typical	Maximum	Units
Frequency Range	1,205		1,615	MHz
Output VSWR			2:1	
Impedance		50		Ohms
Gain		47.5		dBi
Noise Figure		2		dB
Operating DC Voltage	3.3		12	Volts
Current			45	mA
Axial Ratio		3		dB

Specifications by Band

Description	Band 1	Band 2	Band 3	Band 4	Band 5	Units
Range	1.205 to 1.278	1.559 to 1.615				GHz

Click the following link (or enter part number in "SEARCH" on website) to obtain additional part information including price, inventory and certifications: [Dual Band 47dBi GPS/GNSS Survey Antenna 1,205-1,615 MHz TNC Female Connector IP67 PEANGPS1003](#)



Dual Band 47dBi GPS/GNSS Survey Antenna 1,205-1,615 MHz TNC Female Connector IP67

Antennas Technical Data Sheet

PEANGPS1003

Gain	47.5	47.5	dBi
------	------	------	-----

Mechanical Specifications

Mounting Application BSW5/8" - 11 screw, 12-14mm

Size

Overall Length 5.98 in [151.89 mm]
 Width 5.98 in [151.89 mm]
 Height 2.44 in [61.98 mm]
 Weight 1.25 lbs [566.99 g]

Environmental Specifications

Temperature

Operating Range -40 to +85 deg C
 Storage Range -55 to +85 deg C

Humidity 95%
 ESD Protection 67

Compliance Certifications (see [product page](#) for current document)

Plotted and Other Data

Notes:

Dual Band 47dBi GPS/GNSS Survey Antenna 1,205-1,615 MHz TNC Female Connector IP67 from Pasternack Enterprises has same day shipment for domestic and International orders. Our RF, microwave and millimeter wave products maintain a 99.4% availability and are part of the broadest selection in the industry.

Click the following link (or enter part number in "SEARCH" on website) to obtain additional part information including price, inventory and certifications: [Dual Band 47dBi GPS/GNSS Survey Antenna 1,205-1,615 MHz TNC Female Connector IP67 PEANGPS1003](#)

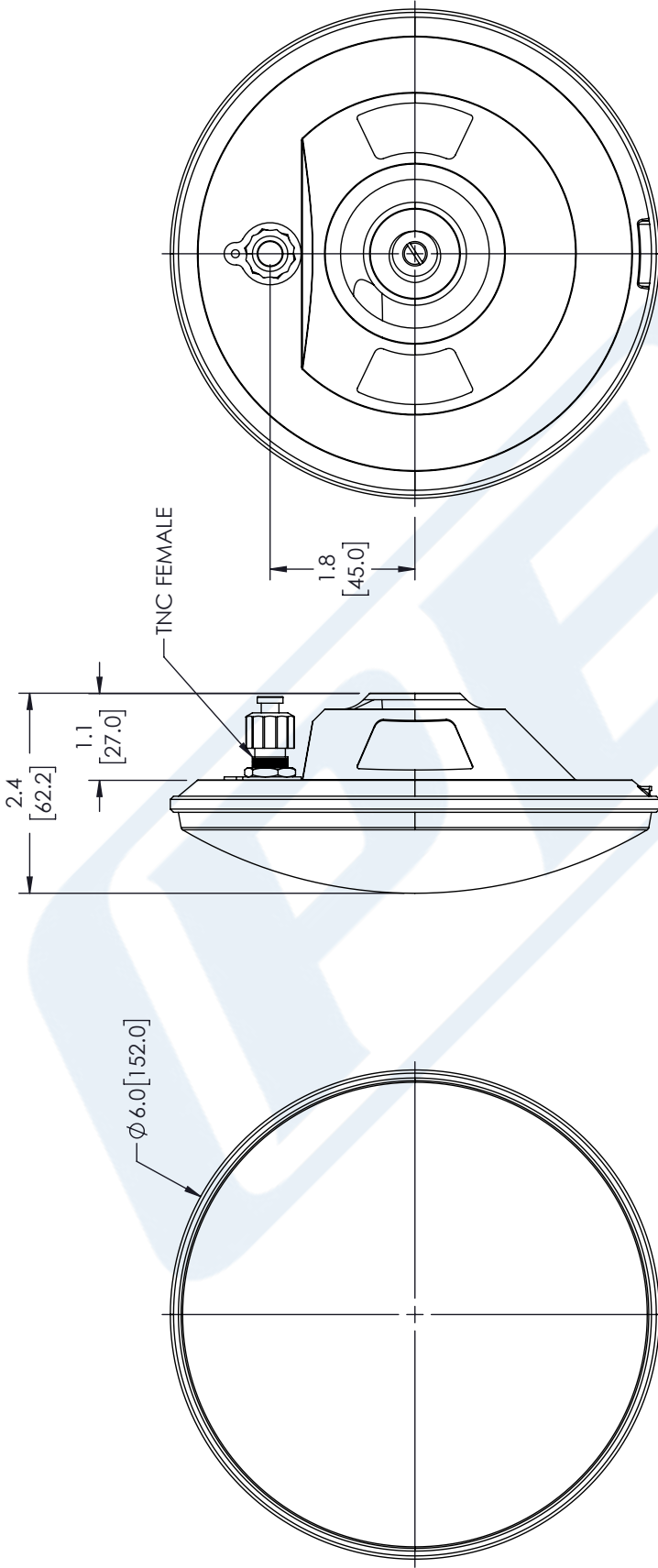
URL: <https://www.pasternack.com/47.5-dbi-band-gps-active-antenna-1205-1615-mhz-tnc-female-connector-peangps1003-p.aspx>

The information contained in this document is accurate to the best of our knowledge and representative of the part described herein. It may be necessary to make modifications to the part and/or the documentation of the part, in order to implement improvements. Pasternack reserves the right to make such changes as required. Unless otherwise stated, all specifications are nominal. Pasternack does not make any representation or warranty regarding the suitability of the part described herein for any particular purpose, and Pasternack does not assume any liability arising out of the use of any part or documentation.

PEANGPS1003 CAD Drawing

Dual Band 47dB_i GPS/GNSS Survey Antenna 1,205-1,615 MHz TNC Female Connector IP67

REVISIONS			
REV.	DESCRIPTION	DATE	APPROVED
A	INITIAL RELEASE	5/9/2022	KHIETPAS



<p>UNLESS OTHERWISE SPECIFIED LEADING DIMENSIONS ARE INCHES DIMENSIONS IN [] ARE MILLIMETERS</p> <p>TOLERANCES:</p> <p>.X = ±.2 [5.08] FRACTIONS ± 1/32 .XX = ±.02 [.51] ANGLES ± 1° .XXX = ±.005 [.13]</p> <p>CABLE LENGTH (L), TOLERANCES: L ≤ 12 [305] = +1 [25] / -0 12 [305] < L ≤ 60 [1524] = +2 [51] / -0 60 [1524] < L ≤ 120 [3048] = +4 [102] / -0 120 [3048] < L ≤ 300 [7620] = +6 [152] / -0 300 [7620] < L = +5% / -0</p> <p>ALL DIMENSIONS SHOWN ARE FOR REFERENCE ONLY.</p>	<p>PE PASTERNAK an INFINITI® brand</p> <p>Pasternack Enterprises, Inc. P. O. Box 16759, Irvine, CA 92623. Phone: 1.949.261.1920 1.866.727.8376 Fax: 1.949.261.7451 Website: www.pasternack.com E-mail: sales@pasternack.com</p>	<p>THIRD-ANGLE PROJECTION</p> <p>THE INFORMATION AND DESIGN IN THIS DOCUMENT IS THE PROPERTY OF PASTERNAK CORPORATION ALL RIGHTS RESERVED.</p> <p>SHEET 1 OF 1</p>
		<p>SCALE N/A</p>
<p>SIZE A</p>	<p>CAGE CODE 53919</p>	<p>DRAWN BY HBAKKE</p>
<p>ITEM NO. PEANGPS1003</p>		

THESE COMMODITIES, TECHNOLOGY OR SOFTWARE WERE EXPORTED FROM THE UNITED STATES IN ACCORDANCE WITH THE EXPORT ADMINISTRATION REGULATIONS. DIVERSION CONTRARY TO U.S. LAW PROHIBITED.