

F

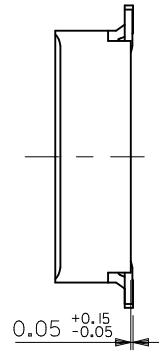
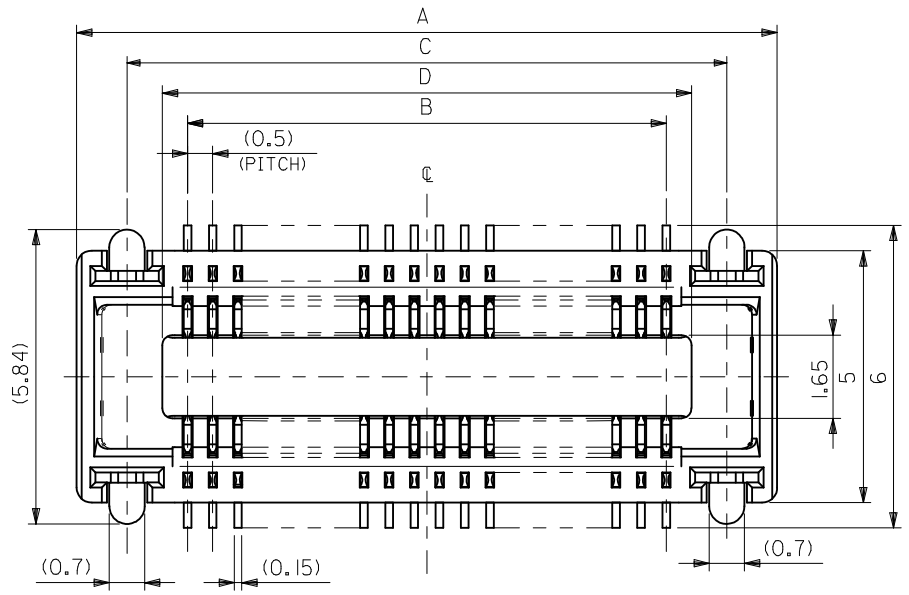
E

D

C

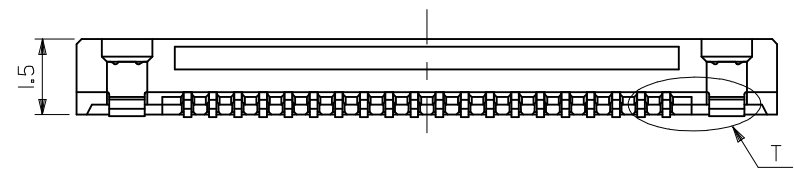
B

A



注記
NOTES:

1. 材質
MATERIAL
ハウジング: LCP (液晶ポリマー)、ガラス充填、黒色、UL 94V-0
HOUSING: LCP (LIQUID CRYSTAL POLYMER), GLASS FILLED, BLACK, UL 94V-0
ターミナル: 銅合金 (t=0.15)
TERMINAL: COPPER ALLOY (t=0.15)
ネイル: 銅合金 (t=0.2)
NAIL: COPPER ALLOY (t=0.2)
2. メッキ仕様
PLATING
ターミナル
TERMINAL
接点部: 金メッキ 0.25マイクロメートル以上
CONTACT AREA: GOLD 0.25 MICROMETER MINIMUM
半田付け部: 金メッキ 0.4マイクロメートル以下
SOLDER TAIL AREA: GOLD 0.4 MICROMETER MAXIMUM
下地メッキ: ニッケルメッキ 1.5マイクロメートル以上
UNDER PLATING: NICKEL 1.5 MICROMETER MINIMUM
ネイル
NAIL
半田メッキ 3.0マイクロメートル以上
Sn-Pb 3.0 MICROMETER MINIMUM
下地メッキ: 銅メッキ 1.0マイクロメートル以上
UNDER PLATING: Cu 1.0 MICROMETER MINIMUM
3. テール平坦度は、0.08ミリメートル以下。テールとネイルを併せた平坦度は、0.1ミリメートル以下。
TAIL COPLANARITY TO BE 0.08 MAXIMUM. TAILS AND NAILS COPLANARITY TO BE 0.1 MAXIMUM.
4. 嵌合相手: 55299-**** (H=3mm)
: 55201-****, 55650-**** (H=2mm)
MATED CONN.: 55299-**** (H=3mm)
: 55201-****, 55650-**** (H=2mm)



40.5	41.9	39.5	43.9	54363-1608	54363-1601	160	—
35.5	36.9	34.5	38.9	54363-1408	54363-1401	140	○
30.5	31.9	29.5	33.9	54363-1208	54363-1201	120	○
28	29.4	27	31.4	54363-1108	54363-1101	110	○
25.5	26.9	24.5	28.9	54363-1008	54363-1001	100	○
23	24.4	22	26.4	54363-0908	54363-0901	90	—
20.5	21.9	19.5	23.9	54363-0808	54363-0801	80	○
18	19.4	17	21.4	54363-0708	54363-0701	70	○
15.5	16.9	14.5	18.9	54363-0608	54363-0601	60	○
13	14.4	12	16.4	54363-0508	54363-0501	50	○
10.5	11.9	9.5	13.9	54363-0408	54363-0401	40	○
8	9.4	7	11.4	54363-0308	54363-0301	30	○
5.5	6.9	4.5	8.9	54363-0208	54363-0201	20	○
D	C	B	A	エンボス梱包品 EMBOSSED TAPE PACKAGING	製品番号 MATERIAL NO.	極数 CIRCUITS	量産対応 AVAILABLE

REVISED EC NO.: J2016-0601 DRWN: JFURUKAWA 2015/12/08 CHKD: TASAKAWA 2015/12/08 APPR: KMORIKAWA 2015/12/16	GENERAL TOLERANCES (UNLESS SPECIFIED)		DIMENSION STYLE		SCALE	DESIGN UNITS		THIRD ANGLE PROJECTION 0.5 MM PITCH B/B CONN. REC. HSG ASSY (H=2,3MM) WITH FITTING NAIL molex SD-54363-009 SHEET NO. 1 OF 2
			MM ONLY		10:1	METRIC		
	0.25 UNDER	UNDER	±0.03	DRAWN BY	DATE	TITLE		
	0.25 OVER	0.5 UNDER	±0.05	H. SHIMOYAMA	1998/04/25			
	0.5 OVER	1.0 UNDER	±0.1	CHECKED BY	DATE			
1.0 OVER	10 UNDER	±0.2	M. SASAO	1998/04/25				
10 OVER	30 UNDER	±0.25	APPROVED BY	DATE				
30 OVER		±0.3			MATERIAL NO.	DOCUMENT NO.		
ANGULAR	±3 °				SEE CHART			
DRAFT WHERE APPLICABLE MUST REMAIN WITHIN DIMENSIONS			SIZE	THIS DRAWING CONTAINS INFORMATION THAT IS PROPRIETARY TO MOLEX ELECTRONIC TECHNOLOGIES, LLC AND SHOULD NOT BE USED WITHOUT WRITTEN PERMISSION				

10 9 8 7 6 5 4 3 2 1

F

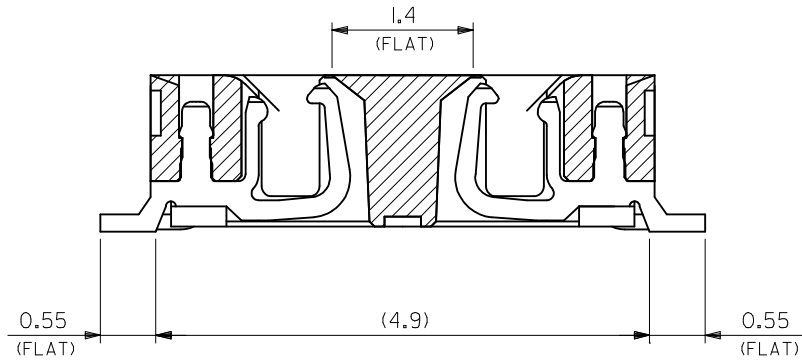
E

D

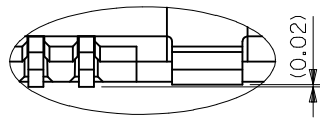
C

B

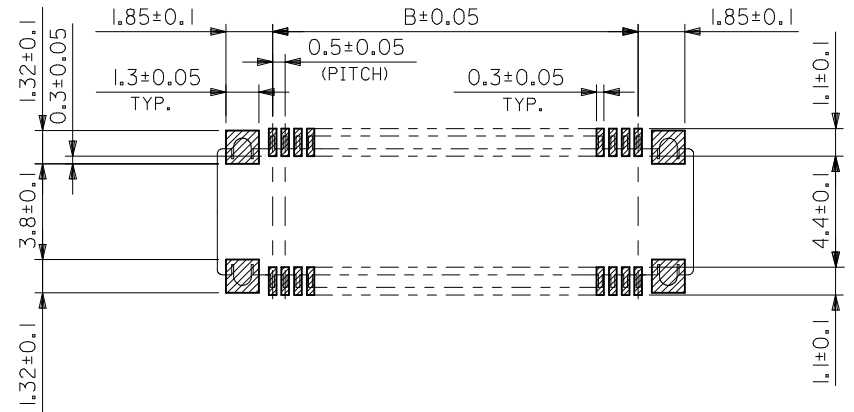
A



製品断面図 (半田付け部、吸着面寸法)
 DETAIL FOR SOLDERING AND VACUUM AREA



上部詳細
 DETAIL T

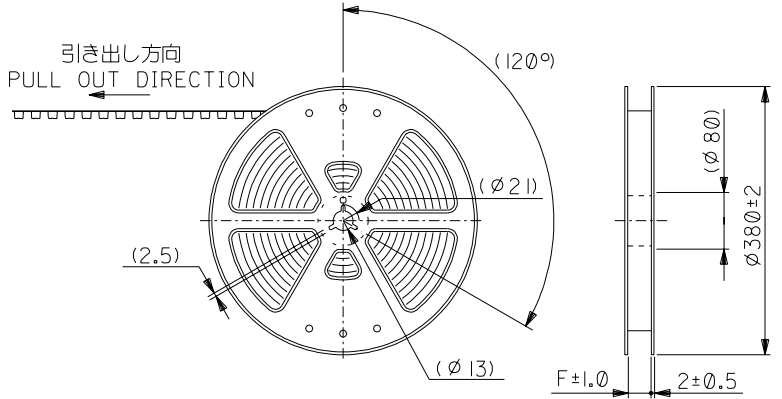


推奨基板寸法
 RECOMMENDED PCB PATTERN LAYOUT
 (SCALE:5-1)

REVISED	EC NO: J2016-0601	GENERAL TOLERANCES (UNLESS SPECIFIED)		DIMENSION STYLE		SCALE	DESIGN UNITS	THIRD ANGLE PROJECTION	
	DRWN: JFURUKAWA 2015/12/08	0.25 UNDER	UNDER	±0.03	MM ONLY		20:1	METRIC	TITLE 0.5 MM PITCH B/B CONN. REC. HSG ASSY(H=2,3MM) WITH FITTING NAIL molex
	CHK'D: TASAKAWA 2015/12/08	0.25 OVER	0.5 UNDER	±0.05	DRAWN BY	DATE	DOCUMENT NO.		
	APPR: KMORIKAWA 2015/12/16	0.5 OVER	1.0 UNDER	±0.1	H. SHIMOYAMA	1998/04/25	SD-54363-009		
	DESCRIPTION	1.0 OVER	10 UNDER	±0.2	CHECKED BY	DATE	SHEET NO.		
REV	10 OVER	30 UNDER	±0.25	M. SASAO	1998/04/25	2 OF 2			
	30 OVER		±0.3	APPROVED BY	DATE	THIS DRAWING CONTAINS INFORMATION THAT IS PROPRIETARY TO MOLEX ELECTRONIC TECHNOLOGIES, LLC AND SHOULD NOT BE USED WITHOUT WRITTEN PERMISSION			
	ANGULAR	±3 °		MATERIAL NO.		SEE CHART			
	DRAFT WHERE APPLICABLE MUST REMAIN WITHIN DIMENSIONS			SIZE					
				A3					

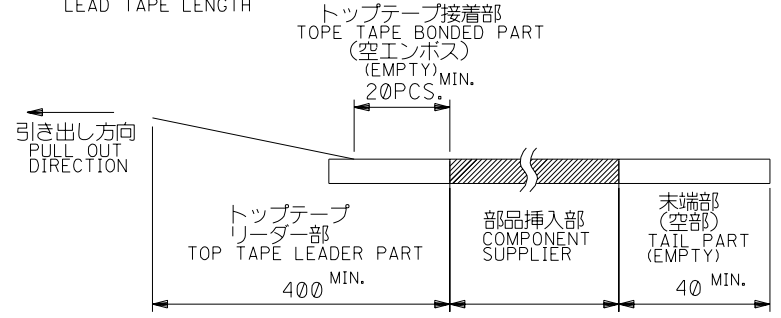
9 8 7 6 5 4 3 2 1

DWG. NO.
SD-54363-010



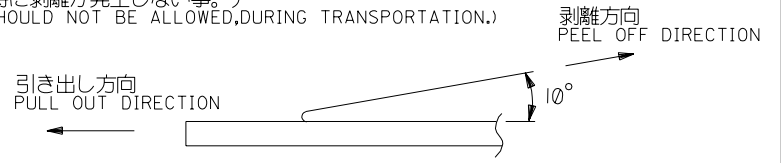
注)
NOTES

- 製品番号54363-***I 詳細寸法については、製品単体図面を参照下さい。
IN THE PACKAGE PART NUMBER 54363-***I DETAILED DIMENSIONS, SEE SALES DRAWING FOR CONNECTOR.
- 梱包数量：2500個/リール
NUMBER OF CONNECTORS:2500 PCS/REEL.
- リードテープ長さ
LEAD TAPE LENGTH



- トップテープの剥離強度：(剥離方向は下図参照)
PEELING OFF FORCE OF TOP TAPE (PELLING DIRECTION AS SHOWN IN FOLLOWING FIGURE.)
0. 1~1. 3N (10~130gf)

尚、本規格値は、出荷時に適用。
THIS REQUIREMENT SHOULD BE APPLIED AT SHIPMENT.
(但し、輸送時に剥離が発生しない事。)
(PEEL OFF SHOULD NOT BE ALLOWED,DURING TRANSPORTATION.)

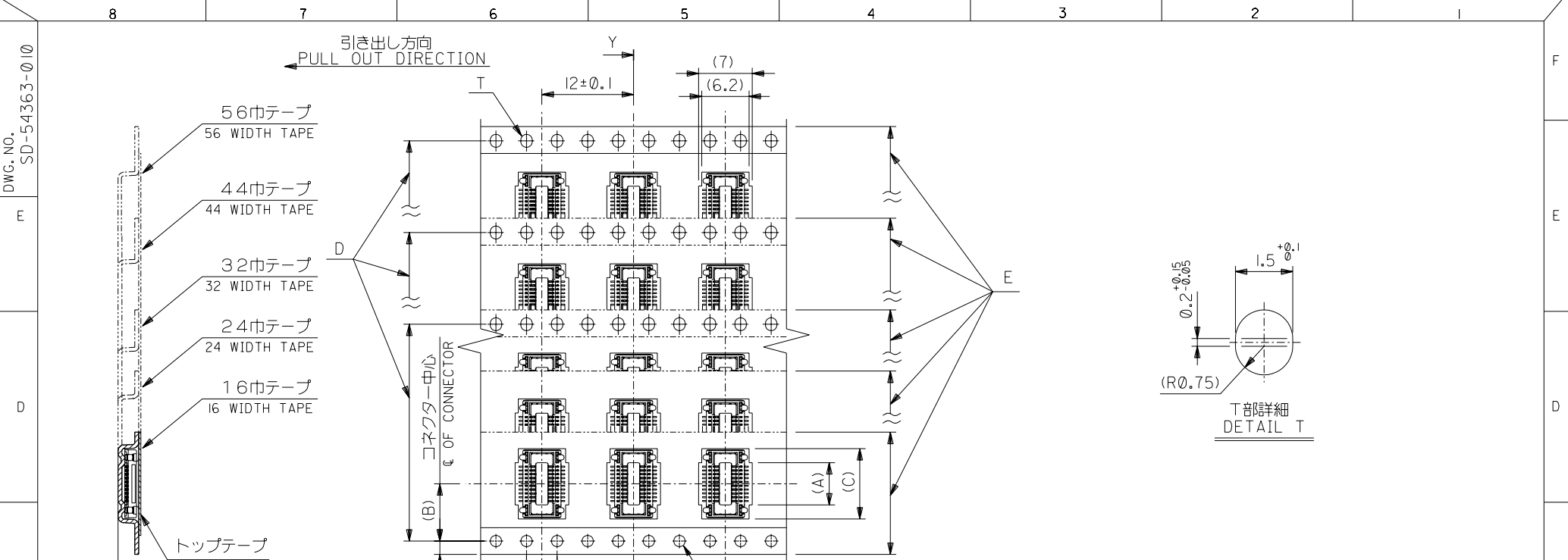


- 材料
MATERIAL
キャリアテープ：ポリプロピレン (PP)
CARRIER TAPE:POLYPROPYLENE(PP)
トップテープ：PET, PE, PEF
TOP TAPE:PET,PE,PEF
リール：ポリスチレン
REEL : POLYSTYRENE

DO NOT SCALE DRAWING

EC NO. DRWN: CHK: APPR:	REVISED ECNNO. J2004-0517 DRWN:H.SHIMOYAMA '98/04/03 CHK: H.HIRATA '98/04/03 APPR:M.SASAO '98/04/03	REVISED ECNNO. J2003-1812 DRWN:H.SHIMOYAMA '98/01/14 CHK: K.KASAHARA '98/01/14 APPR:T.YAMAGUCHI '98/01/14	REVISED ECNNO. J2003-0565 DRWN:H.SHIMOYAMA '98/09/02 CHK: K.KASAHARA '98/09/02 APPR:T.YAMAGUCHI '98/09/02	REVISED ECNNO. J2002-1629 DRWN:H.SHIMOYAMA '98/01/11 CHK: K.KASAHARA '98/01/11 APPR:T.YAMAGUCHI '98/01/11	MATERIAL 材料 注記参照 SEE NOTES	GENERAL TOLERANCES: (UNLESS SPECIFIED) 一般公差	SCALE NONE DESIGN UNITS <input checked="" type="checkbox"/> mm <input type="checkbox"/> INCH	<input checked="" type="checkbox"/> THIRD ANGLE PROJECTION	DIMENSIONS: <input type="checkbox"/> mm <input type="checkbox"/> INCH <input checked="" type="checkbox"/> mm ONLY		SHT	REV
	H	G	F	E	FINISH 仕上げ 注記参照 SEE NOTES	10 UNDER 未満 ±0.2	10 OVER 30 UNDER 以上 未満 ±0.25	30 OVER 以上 ±0.3	ANGLE 角度 ±3°	TITLE: 54363-***I TAPING PACKAGE		REVISE ON CAD ONLY
					WIRE RANGE 適用線径範囲 #		DRAWN BY & DATE H. Shimoyama '98/04/25	MATERIAL NO. MOLEX INCORPORATED				
					INS. RANGE 被覆外径 #		CHECKED BY & DATE M. Sasao '98/04/25	DRAWING NO. SD-54363-010				SHEET NO. 1 OF 2
THIS DRAWING CONTAINS INFORMATION THAT IS PROPRIETARY TO MOLEX INCORPORATED AND SHOULD NOT BE USED WITHOUT WRITTEN PERMISSION.										SIZE B		

54363010.S01
A



57.5	56±0.3	52.4	44.2	26.2	40.55	54363-1608	160	—
			39.2		35.55	54363-1408	140	○
			34.2		30.55	54363-1208	120	○
45.5	44±0.3	40.4	31.7	20.2	28.05	54363-1108	110	○
			29.2		25.55	54363-1008	100	○
			26.7		23.05	54363-0908	90	—
			24.2		20.55	54363-0808	80	○
33.5	32±0.3	28.4	21.7	14.2	18.05	54363-0708	70	○
			19.2		15.55	54363-0608	60	○
			16.7		13.05	54363-0508	50	○
25.5	24±0.3	—	14.2	11.5	10.55	54363-0408	40	○
			11.7		8.05	54363-0308	30	○
17.5	16±0.3	—	9.2	7.5	5.55	54363-0208	20	○
F	E キャリアテープ幅 CARRIER TAPE WIDTH	D	(C)	(B)	(A)	製品番号 MATERIAL NO.	極数 CIRCUITS	量産対応 AVAILABLE

DO NOT SCALE DRAWING	EC NO.	REVISED	ECNNO. J2004-0517	REVISED	ECNNO. J2003-1812	REVISED	ECNNO. J2003-0565	REVISED	ECNNO. J2002-1629	DESCRIPTION	MATERIAL 材料	GENERAL TOLERANCES: (UNLESS SPECIFIED) 一般公差	SCALE NONE	DESIGN UNITS ☑mm ☐INCH	THIRD ANGLE PROJECTION	TITLE: 54363-***1 TAPING PACKAGE	DIMENSIONS: ☐mm ☐INCH ☒mm ONLY	SHT REV
	DRWN: CH'K: APPR:	ECNNO. J2004-0517 DRWN:H.SHIMOYAMA CH'K:H.HIRATA APPR:M.SASAO	ECNNO. J2003-1812 DRWN:H.SHIMOYAMA CH'K:K.KASAHARA APPR:T.YAMAGUCHI	ECNNO. J2003-0565 DRWN:H.SHIMOYAMA CH'K:K.KASAHARA APPR:T.YAMAGUCHI	ECNNO. J2002-1629 DRWN:H.SHIMOYAMA CH'K:K.KASAHARA APPR:T.YAMAGUCHI	FINISH 仕上げ	—	10 UNDER 未滿	±0.2	DRAWN BY & DATE M. Sasao '98/04/25	CHECKED BY & DATE M. Sasao '98/04/25	APPROVED BY & DATE M. Sasao '98/04/25	CAD FILENAME 54363010.S02	MATERIAL NO. SEE CHART	DRAWING NO. SD-54363-010	SHEET NO. 2	REVISION REVISE ON CAD ONLY	
	H	G	F	E	REV	WIRE RANGE 適用線径範囲	—	30 OVER 以上	±0.3	ANGLE 角度	±3°	THIS DRAWING CONTAINS INFORMATION THAT IS PROPRIETARY TO MOLEX INCORPORATED AND SHOULD NOT BE USED WITHOUT WRITTEN PERMISSION.			SIZE B			