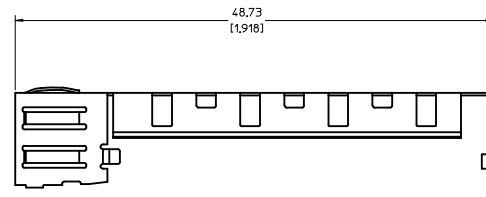
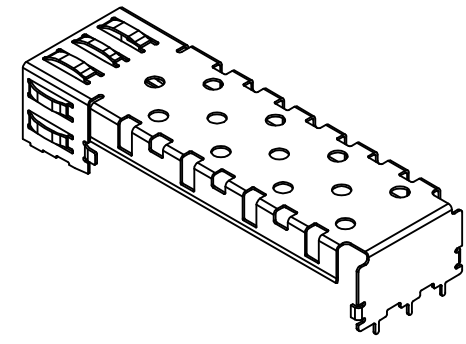
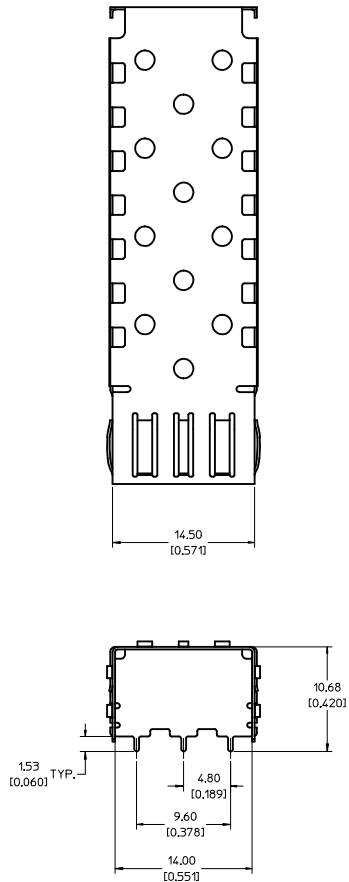


NOTES:

1. MATERIAL: COPPER ALLOY
2. PLATING: BRIGHT TIN
2.54 MICROMETERS TIN (MIN)
OVER 0.76 MICROMETERS (MIN) NICKEL
3. FOR DETAILS OF PCB AND BEZEL LAYOUT REFER TO DOCUMENT SD-73927-100.
4. THIS PRODUCT NOT INTENDED FOR LEAD FREE, (RoHS), REFLOW PROCESS.
REFLOW TEMPERATURE SHOULD NOT EXCEED 180°C
5. FOR RoHS COMPLIANT REPLACEMENTS REFER TO MOLEX SERIES 74737.

ENTER DESCRIPTION EC NO: UST2006-0264 DRAWN BY: DRWNS/IMONSON 2006/07/03 CHECKED BY: CHKCB/BRUSSELL 2006/07/06 APPR: BRUSSELL 2006/07/24	QUALITY SYMBOLS	GENERAL TOLERANCES (UNLESS SPECIFIED)		DIMENSION STYLE		SCALE	DESIGN UNITS	THIRD ANGLE PROJECTION	
	$\nabla=0$ $\nabla=0$	mm	INCH	MM/IN		4:1	METRIC		
		4 PLACES ± --- ± ---	3 PLACES ± --- ± .005	2 PLACES ± 0.13 ± .01	1 PLACE ± 0.25 ± ---	DRAWN BY: KS IMONSON 2005/10/12 CHECKED BY: BRUSSELL 2005/10/12 APPROVED BY: BRUSSELL 2005/10/12	TITLE: SFP CAGE COVER		
		ANGULAR ± 1 °		MATERIAL NO. 739270020		DOCUMENT NO. SD-73927-0020		SHEET NO. 1 OF 1	
DRAFT WHERE APPLICABLE MUST REMAIN WITHIN DIMENSIONS		SIZE D		THIS DRAWING CONTAINS INFORMATION THAT IS PROPRIETARY TO MOLEX INCORPORATED AND SHOULD NOT BE USED WITHOUT WRITTEN PERMISSION					



NOTES:

1. MATERIAL: COPPER ALLOY
2. PLATING: BRIGHT TIN
2.54 MICROMETERS TIN (MIN)
OVER 0.76 MICROMETERS (MIN) NICKEL
3. FOR DETAILS OF PCB AND BEZEL LAYOUT REFER
TO DOCUMENT SD-73927-100.
4. THIS PRODUCT NOT INTENDED FOR LEAD FREE, REFLOW PROCESS.
REFLOW TEMPERATURE SHOULD NOT EXCEED 180°C. FOR
REFLOW PROCESSES GREATER THAN 180°C, REFER TO MOLEX
SERIES 74737.

ENTER DESCRIPTION IEC NO: 2006/07/29 DRAWN/CCX: 2006/08/07 CHKD: 2006/08/07 APPR: BRUSSELL 2006/08/15 REV: DESCRIPTION	QUALITY SYMBOLS ▽=0 ▽=0	GENERAL TOLERANCES (UNLESS SPECIFIED) <table border="1"> <thead> <tr> <th></th> <th>mm</th> <th>INCH</th> </tr> </thead> <tbody> <tr> <td>4 PLACES</td> <td>± ---</td> <td>± ---</td> </tr> <tr> <td>3 PLACES</td> <td>± ---</td> <td>± .005</td> </tr> <tr> <td>2 PLACES</td> <td>± 0.13</td> <td>± .01</td> </tr> <tr> <td>1 PLACE</td> <td>± 0.25</td> <td>± ---</td> </tr> </tbody> </table> ANGULAR ± 1°		mm	INCH	4 PLACES	± ---	± ---	3 PLACES	± ---	± .005	2 PLACES	± 0.13	± .01	1 PLACE	± 0.25	± ---	DIMENSION STYLE MM/IN SCALE 4:1 DESIGN UNITS METRIC THIRD ANGLE PROJECTION	DRAWN BY KS IMONSON DATE 2005/10/12 CHECKED BY BRUSSELL DATE 2005/10/12 APPROVED BY BRUSSELL DATE 2005/10/12	TITLE SFP CAGE COVER
		mm	INCH																	
	4 PLACES	± ---	± ---																	
3 PLACES	± ---	± .005																		
2 PLACES	± 0.13	± .01																		
1 PLACE	± 0.25	± ---																		
DRAFT WHERE APPLICABLE MUST REMAIN WITHIN DIMENSIONS		MATERIAL NO. 739270020	DOCUMENT NO. SD-73927-020	MOLEX INCORPORATED	SHEET NO. 1 OF 1															
THIS DRAWING CONTAINS INFORMATION THAT IS PROPRIETARY TO MOLEX INCORPORATED AND SHOULD NOT BE USED WITHOUT WRITTEN PERMISSION																				