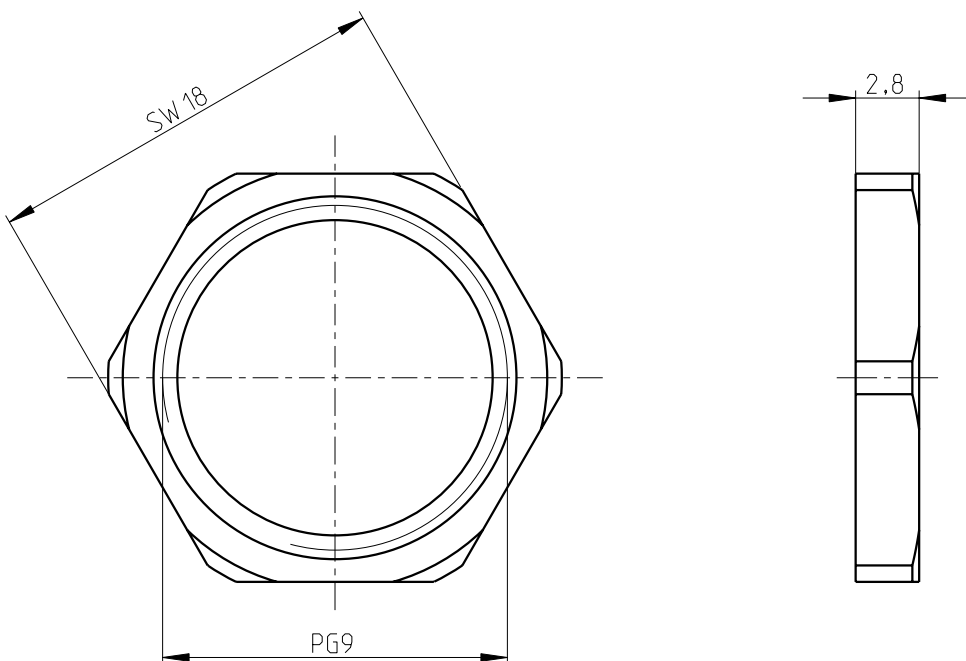



The copying, distribution and utilization of this document as well as the communication of the contents to others without expressed authorization is prohibited according to §18 UWG German Law. Offenders will be held liable for the payment of damages according to §19 UWG German Law. All rights reserved, in particular the right to carry out patent, utility model or ornamental design registrations.

Weitergabe sowie Vervielfältigung dieses Dokuments, Verwertung und Mitteilung seines Inhalts gem §18 UWG verboten, soweit nicht ausdrücklich gestattet. Zuwiderhandlungen verpflichten zu Schadensersatz (§19 UWG). Alle Rechte vorbehalten, insbesondere das Recht, Patent-, Gebrauchsmuster- oder Geschmacksmusteranmeldungen durchzuführen. CONINVERS GmbH Heisenbergstrasse 1 D-71083 Herrenberg

Mechanical data (according to IEC 61076-2-101)		Material	
no. of poles / coding	- / -	housing	V4A
contact termination	-	contact carrier	-
contact-Ø	-	colour	-
temperature range	-	wire	-
protection class	-	cross section	-
mating cycles	-	contacts / surface	-
locking system	-	sealing gasket	-
		potting	-



general tolerance acc. to DIN ISO 2768-c		technical changes reserved		Index 1 / 2011-12-16		scale: 3:1	
design	date	name	description: nut PG9 V4A				
chk.	2011-12-16	Thumm					
			drawing-no.:	BA-Z0007			
			order-no.:	1404984			
			article designation:	SACC-PG9-NUT-VA			
							page: 1 of: 1