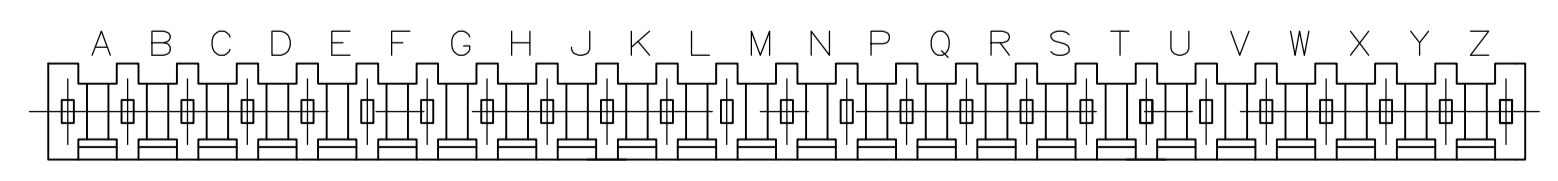
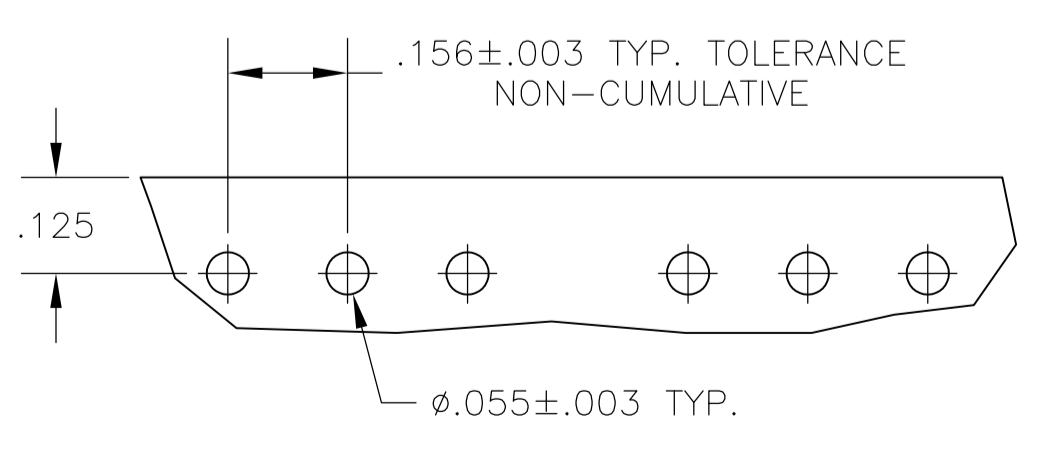


- 2 THESE SURFACES WILL NOT BE PLATED
- 3 THE NOTED DIMENSIONS APPLY AT THE INTERSECTION OF THE POST AND THE HOUSING
- 4 POINT OF MEASUREMENT FOR PLATING THICKNESS
- 5 OBSOLETE PARTS: OBSOLETE CIS STREAMLINING PER D.RENAUD/D.SINISI

OBSOLETE	NONE	NONE	5.415	5.304	34	35	3-87247-6	
OBSOLETE	NONE	NONE	5.259	5.148	33	34	3-87247-5	
OBSOLETE	NONE	NONE	5.103	4.992	32	33	3-87247-4	
OBSOLETE	NONE	NONE	4.947	4.836	31	32	3-87247-3	
OBSOLETE	NONE	NONE	4.791	4.680	30	31	3-87247-2	
OBSOLETE	NONE	NONE	4.635	4.524	29	30	3-87247-1	
OBSOLETE	NONE	NONE	4.479	4.368	28	29	3-87247-0	
OBSOLETE	NONE	NONE	4.323	4.212	27	28	2-87247-9	
OBSOLETE	NONE	NONE	4.167	4.056	26	27	2-87247-8	
OBSOLETE	NONE	NONE	4.011	3.900	25	26	2-87247-7	
OBSOLETE	NONE	NONE	.111	-	-	1	2-87247-6	
	A,C,E,H,K,M,Q,S,U,W,Y	11	3.855	3.744	24	25	2-87247-5	
	A,C,E,G,J,L,N,Q,S,U,W,Y	12	3.699	3.588	23	24	2-87247-4	
	A,D,G,K,N,R,U,X	8	3.543	3.432	22	23	2-87247-3	
	A,C,E,G,J,L,N,Q,S,U,W	11	3.387	3.276	21	22	2-87247-2	
OBSOLETE	A,D,G,K,N,R,U	7	3.231	3.120	20	21	2-87247-1	
	A,C,E,G,J,L,N,Q,S,U	10	3.075	2.964	19	20	2-87247-0	
	B,D,F,J,L,N,Q,S	8	2.919	2.808	18	19	1-87247-9	
	A,D,F,J,M,P,S	7	2.763	2.652	17	18	1-87247-8	
	A,D,G,K,N,R	6	2.607	2.496	16	17	1-87247-7	
	A,C,E,G,J,L,N,Q	8	2.451	2.340	15	16	1-87247-6	
	A,D,G,K,N	5	2.295	2.184	14	15	1-87247-5	
	A,C,E,G,J,L,N	7	2.139	2.028	13	14	1-87247-4	
	A,D,J,M	4	1.983	1.872	12	13	1-87247-3	
	A,C,E,G,J,L	6	1.827	1.716	11	12	1-87247-2	
OBSOLETE	A,D,G,K	4	1.671	1.560	10	11	1-87247-1	
	A,C,E,G,J	5	1.515	1.404	9	10	1-87247-0	
	A,D,G	3	1.359	1.248	8	9	87247-9	
	A,C,E,G	4	1.203	1.092	7	8	87247-8	
	A,C,E	3	1.047	.936	6	7	87247-7	
	A,C,E	3	.891	.780	5	6	87247-6	
	A,D	2	.735	.624	4	5	87247-5	
	A,C	2	.579	.468	3	4	87247-4	
	OBSOLETE	A	1	.423	.312	2	3	87247-3
		A	1	.267	.156	1	2	87247-2



KEYWAY LOCATIONS (REF-SEE TABLE)  
 (MATING LENGTH OF POST ON NEAR SIDE)  
 SCALE: 2:1

THIS DRAWING IS A CONTROLLED DOCUMENT.		DIN	L A MAYER	7-17-87		Tyco Electronics Corporation Harrisburg, Pa 17105-3608	
DIMENSIONS: INCHES		CHK	F HUBBEN	7-20-87		NAME: HEADER ASSEMBLY, MOD I, VERTICAL, SINGLE ROW, .156 C/L	
TOLERANCES UNLESS OTHERWISE SPECIFIED:		APVD	F HUBBEN	7-20-87	PRODUCT SPEC: 108-25016		
0 PLC ± -		APPLICATION SPEC		SIZE: A1			
1 PLC ± -		MATERIAL: HOUSING-FLAME RETARDANT THERMOPLASTIC; COLOR-BLACK; POSTS-BRASS		WEIGHT: -		SCALE: 4:1	
2 PLC ± -		FINISH: POSTS: .000030 GOLD OVER; .000050 NICKEL		CUSTOMER DRAWING		SHEET 1 OF 1	
3 PLC ± .005		REVISED PER ECO-09-020932		DRAWING NO: 00779		REV: P1	
4 PLC ± -		SCALE: 4:1		SHEET 1 OF 1		REV: P1	