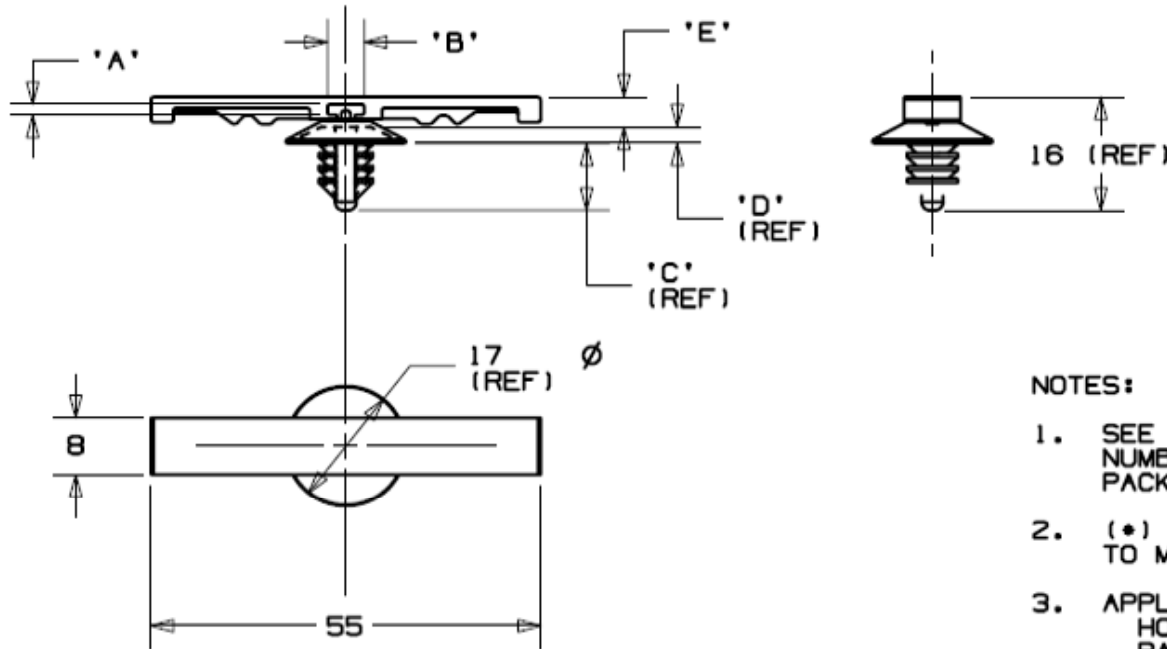


THIS COPY IS PROVIDED ON A RESTRICTED BASIS AND IS NOT TO BE USED IN ANY WAY DETRIMENTAL TO THE INTERESTS OF PANDUIT CORPORATION.

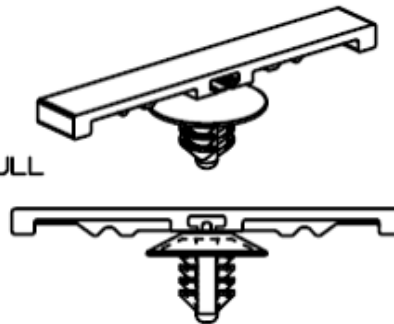
PANDUIT PART NO.	BUNDLE DIA MIN - MAX.	DIMENSIONS					MATERIAL	COLOR	CABLE TIE TYPES	WEIGHT grams 100 pcs
		'A'	'B'	'C'	'D'	'E'				
THMUSC15-...20	0 - 30	1.5	5.2	9.8	2.0	4.2	NYLON 6/6	BLACK	M, I, S	144



NOTES:

1. SEE CURRENT PRICE SHEET FOR PART NUMBER SUFFIX DESIGNATION FOR PACKAGE SIZE, AND COLOR.
2. (*) DIMENSIONAL VARIANCE IS POSSIBLE DUE TO MOLDING PROCESS RELATED SINK MARKS.
3. APPLICATION SPECIFICATION:
 HOLE DIAMETER: 6.3 - 7.1 mm
 PANEL THICKNESS: 0.3 - 6.5 mm

SCALE: FULL



CND FILENAME/LAYERS		G01932BT_PB_THMUSC15_03	
PANDUIT CORP.		TINLEY PARK, ILLINOIS	
CABLE TIE HARNESS MOUNT WITH UMBRELLA			
Unless otherwise specified, all dimensions are metric tolerance; ±0.5mm			
DRWN BY	JAD	MAT'L I	SCALE FULL
DATE	10/29/02	SEE TABLE	DRWGING NO.
CHK'D			GB1932BT
			DRG SIZE A

REV	DATE	BY	CHK	DESCRIPTION	ECN - R	CUST	SUP
3	2/18/04	JAD		UPDAT NOTE 3, CHANGE HOLE DIA, WAS 6.3 to 6.8mm CHANGE PANEL THICKNESS, was .5-6.5mm	GB1932BT	3	