

# CK2,5-ED-0,37ST AU - Crimp contact



1585663

<https://www.phoenixcontact.com/us/products/1585663>

Please be informed that the data shown in this PDF document is generated from our online catalog. Please find the complete data in the user documentation. Our general terms of use for downloads are valid.



Crimp contact, contact diameter: 2.5 mm, turned, Pin, contact material: Copper alloy, contact surface: gold-plated, connection cross section: 0.14 mm<sup>2</sup> ... 0.37 mm<sup>2</sup>, AWG 22 ... 26

## Commercial data

Item number	1585663
Packing unit	1 pc
Minimum order quantity	100 pc
Sales key	BF65
Product key	BF7AID
Catalog page	Page 666 (C-2-2019)
GTIN	4046356291576
Weight per piece (including packing)	1.266 g
Weight per piece (excluding packing)	1.2 g
Customs tariff number	85366990
Country of origin	CN

# CK2,5-ED-0,37ST AU - Crimp contact



1585663

<https://www.phoenixcontact.com/us/products/1585663>

## Technical data

### Notes

General	for HC-M-06..., HC-M-HV-, HC-M-08-, HC-M-20-, HC-A..., HC-B..., HC-BB..., HC-BBB..., and HC-HV contact carriers
---------	-----------------------------------------------------------------------------------------------------------------

### Mounting

Assembly instructions	At voltages of < 5 V and currents < 5 mA, gold-plated contacts are recommended. The quality of a crimp connection is determined by DIN EN 60352-2.
Connection method	Crimp connection

### Product properties

Product type	Crimp contact
Type	Individual male contact
Contact material type	turned
Series	HC-M-06 HC-M-HV HC-M-08 HC-A HC-BB HC-B HC-HV HC-M-20 HC-K HC-BBB

### Connection data

Connection method	Crimp connection
Contact connection type	Pin
Connection technology	Crimp connection
Conductor cross section	0.14 mm <sup>2</sup> ... 0.37 mm <sup>2</sup>
Connection cross section AWG	22 ... 26
Stripping length of the individual wire	7.5 mm (9.5 mm at HC-M-HV...)
Conductor cross section flexible	...
Conductor cross section AWG	...
Wire diameter including insulation	...

### Material specifications

Contact material	Copper alloy
Contact surface material	gold-plated

### Dimensions

# CK2,5-ED-0,37ST AU - Crimp contact



1585663

<https://www.phoenixcontact.com/us/products/1585663>

## Mechanical characteristics

Contact diameter	2.5 mm
------------------	--------

## Mechanical properties

### Mechanical data

Insertion/withdrawal cycles	≥ 500
-----------------------------	-------

## Environmental and real-life conditions

### Ambient conditions

Ambient temperature (operation)	-40 °C ... 125 °C
---------------------------------	-------------------

# CK2,5-ED-0,37ST AU - Crimp contact

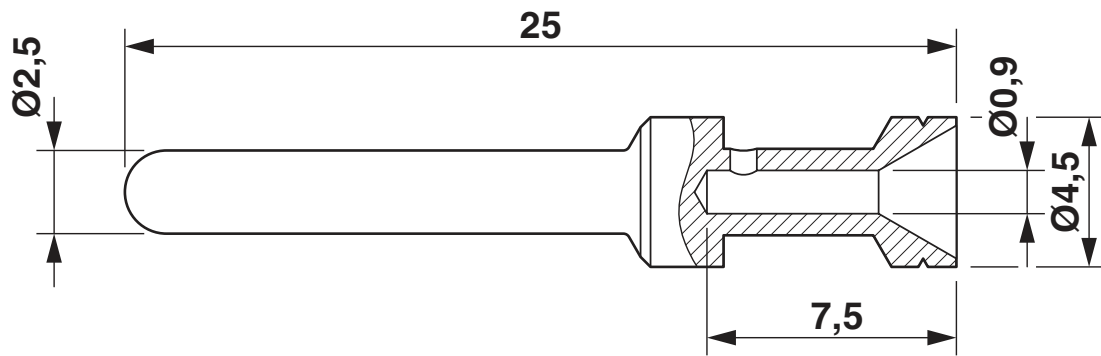


1585663

<https://www.phoenixcontact.com/us/products/1585663>

## Drawings

Dimensional drawing



Dimensional drawing

# CK2,5-ED-0,37ST AU - Crimp contact



1585663

<https://www.phoenixcontact.com/us/products/1585663>

## Approvals

To download certificates, visit the product detail page: <https://www.phoenixcontact.com/us/products/1585663>



**EAC**

Approval ID: RU C-DE.BL08.B.00511

# CK2,5-ED-0,37ST AU - Crimp contact



1585663

<https://www.phoenixcontact.com/us/products/1585663>

## Classifications

### ECLASS

ECLASS-11.0	27440204
ECLASS-12.0	27440204
ECLASS-13.0	27440204

### ETIM

ETIM 8.0	EC000796
----------	----------

### UNSPSC

UNSPSC 21.0	39121500
-------------	----------

# CK2,5-ED-0,37ST AU - Crimp contact



1585663

<https://www.phoenixcontact.com/us/products/1585663>

## Environmental product compliance

China RoHS	Environmentally Friendly Use Period = 50 years For information on hazardous substances, refer to the manufacturer's declaration available under "Downloads"
------------	----------------------------------------------------------------------------------------------------------------------------------------------------------------

# CK2,5-ED-0,37ST AU - Crimp contact

1585663

<https://www.phoenixcontact.com/us/products/1585663>



## Accessories

### UNIFOX MT-CK 1.6/2.5 - Assembly tool

1089092

<https://www.phoenixcontact.com/us/products/1089092>



Assembly tool, for CK 1.6... crimp contacts for small conductor cross sections

---

### UNIFOX RT-CK 2.5 - Contact removal tool

1072067

<https://www.phoenixcontact.com/us/products/1072067>



Contact removal tool, for turned CK 2,5... contacts



# CK2,5-ED-0,37ST AU - Crimp contact

1585663

<https://www.phoenixcontact.com/us/products/1585663>



## CRIMPFOX-TC MP-6 - Crimping pliers with digital display

1202888

<https://www.phoenixcontact.com/us/products/1202888>



Crimping tool, for turned contacts, universal cross-section setting, up to a maximum of 6.0 mm<sup>2</sup>, digital display with 0.01 mm increments, pressure lock can be unlocked, positioning tool necessary as an accessory for contact positioning

---

Phoenix Contact 2023 © - all rights reserved

<https://www.phoenixcontact.com>

Phoenix Contact USA  
586 Fulling Mill Road  
Middletown, PA 17057, United States  
(+717) 944-1300  
[info@phoenixcon.com](mailto:info@phoenixcon.com)