

4

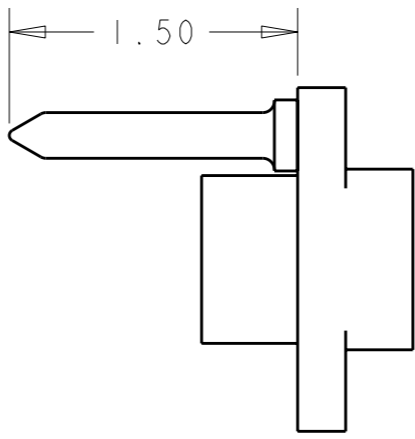
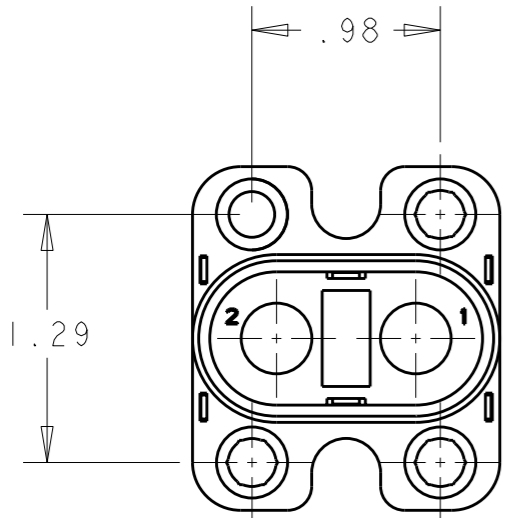
3

2

1

THIS DRAWING IS UNPUBLISHED. RELEASED FOR PUBLICATION 20
 © COPYRIGHT 20 BY TYCO ELECTRONICS CORPORATION. ALL RIGHTS RESERVED.

LOC	DIST	REVISIONS			
P	LTR	DESCRIPTION	DATE	DWN	APVD
GP	00	A	INITIAL RELEASE	26SEP2006	GIP DO
		B	REVISED PER ECO-06-027848	29NOV2006	GIP DO



- PART NUMBER CHANGES AND/OR DESIGN CHANGES AFFECTING THE INTERCHANGEABILITY REQUIRES PRIOR TYCO APPROVAL AND AUTHORIZATION BY REVISION TO THIS DRAWING.
- MATERIAL: INSULATOR: THERMOPLASTIC, GLASS REINFORCED, FLAMMABILITY RATED, COLOR: BLACK
 GUIDE PIN: STAINLESS STEEL
 LOCKING COLLAR: STAINLESS STEEL

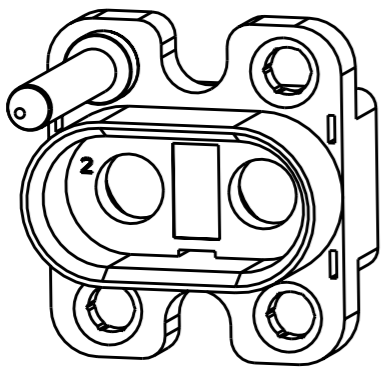
3 ITEMS PROVIDED TO THIS SPECIFICATION TO BE PERMANENTLY IDENTIFIED PER THE FOLLOWING IDENTIFIER:

YEAR WEEK

TYCO PART NUMBER DATE CODE (i.e. 0216)

XXXXXXX-X XXXX

4. TYCO PART NUMBER :
 1926236-1 MARKED/LABEL 3



P/N 1926236-1

1926236-1
 PART NUMBER

<small>THIS DRAWING IS A CONTROLLED DOCUMENT FOR TYCO ELECTRONICS CORPORATION IT IS SUBJECT TO CHANGE AND THE CONTROLLING ENGINEERING ORGANIZATION SHOULD BE CONTACTED FOR THE LATEST REVISION.</small>		DWN G.PETERS 26SEP2006 CHK D.ORRIS 26SEP2006 APVD S.FLICKINGER 26SEP2006	tyco Electronics Tyco Electronics Harrisburg, PA 17105-3608
DIMENSIONS: INCHES 	TOLERANCES UNLESS OTHERWISE SPECIFIED: 0 PLC ±. 1 PLC ±.1 2 PLC ±.02 3 PLC ±.010 4 PLC ±.0005 ANGLES ±.5	PRODUCT SPEC - APPLICATION SPEC - WEIGHT -	NAME DUALPOWER CONNECTOR PIN HOUSING W/M3 INT THD GUIDE PINS
MATERIAL -	FINISH -	CUSTOMER DRAWING	SIZE A3 CAGE CODE 00779 DRAWING NO C-1926236 RESTRICTED TO -
ELCON DRAWER		SCALE 1:1	SHEET 1 OF 2 REV B

4

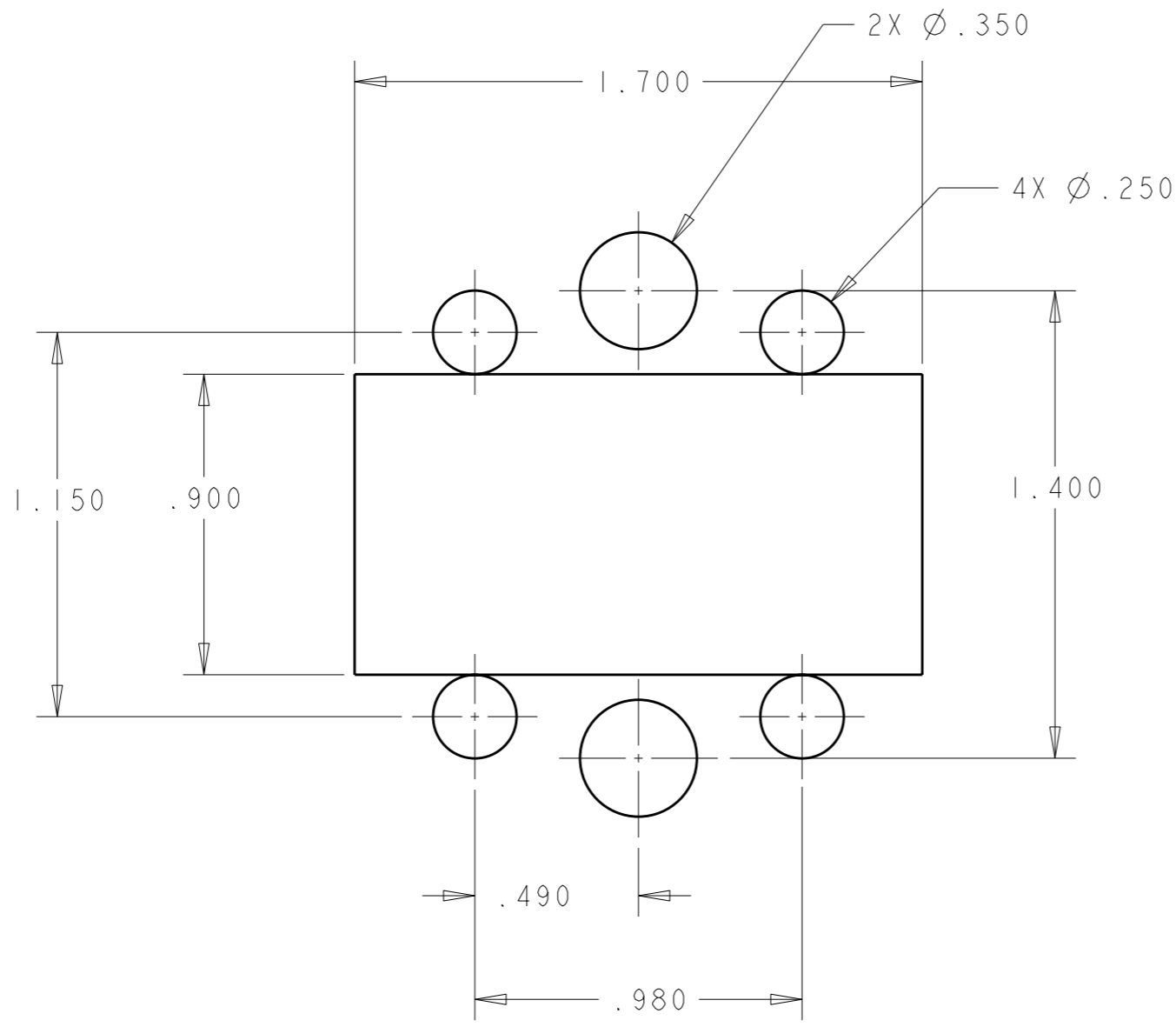
3

2

1

THIS DRAWING IS UNPUBLISHED. RELEASED FOR PUBLICATION 20
 © COPYRIGHT 20 BY TYCO ELECTRONICS CORPORATION. ALL RIGHTS RESERVED.

LOC	DIST	REVISIONS			
P	LTR	DESCRIPTION	DATE	DWN	APVD
GP	00	-	SEE SHEET 1	-	-



<small>THIS DRAWING IS A CONTROLLED DOCUMENT FOR TYCO ELECTRONICS CORPORATION IT IS SUBJECT TO CHANGE AND THE CONTROLLING ENGINEERING ORGANIZATION SHOULD BE CONTACTED FOR THE LATEST REVISION.</small>		DWN G. PETERS 26SEP2006 CHK D. ORRIS 26SEP2006 APVD S. FLICKINGER 26SEP2006		Tyco Electronics Harrisburg, PA 17105-3608	
DIMENSIONS: INCHES		TOLERANCES UNLESS OTHERWISE SPECIFIED:		NAME DUALPOWER CONNECTOR PIN HOUSING W/M3 INT THD GUIDE PINS	
		0 PLC ±. 1 PLC ±.1 2 PLC ±.02 3 PLC ±.010 4 PLC ±.0005 ANGLES ±.5		PRODUCT SPEC - APPLICATION SPEC - WEIGHT -	
MATERIAL -		FINISH -		SIZE A3 CAGE CODE 00779 DRAWING NO C-1926236 RESTRICTED TO -	
CUSTOMER DRAWING				SCALE 1:1 SHEET 2 OF 2 REV B	