

SUMMARY

Wires

Low voltage	2
High voltage	1



Image is for illustrative purpose only

Series	2E
Termination type	Female solder Hybrid
IP rating	68 mated (mating interface)
AWG wire size	0.00 - 99.00
Cable Ø	0.00 - 0.00 mm
Status	active
Matching parts	FFA.2E.702.CJAC70

Download

[Request a quote](#)

TECHNICAL DETAILS

Mechanics

Shell Style/Model	ERA*: Fixed receptacle, nut fixing
Keying	Hermaphroditic keying (half moon insert) with female pin 1
Housing Material	Brass (chrome plated [SAE AMS 2460]) shell, collet nut and latch sleeve, nickel plated [SAE AMS QQ N 290] brass mid pieces
Weight	34.84 g

Performance

Configuration	2E.702 : 1 High V. 2 Low V.
Insulator	J: PEEK/PEEK
Rated Current	15 Amps

Specifications

Contact Type: Solder
Test voltage HV contact - Ue (kV rms) 6.3
Air clearance min.: 10 mm
Creepage distance min.: 10 mm

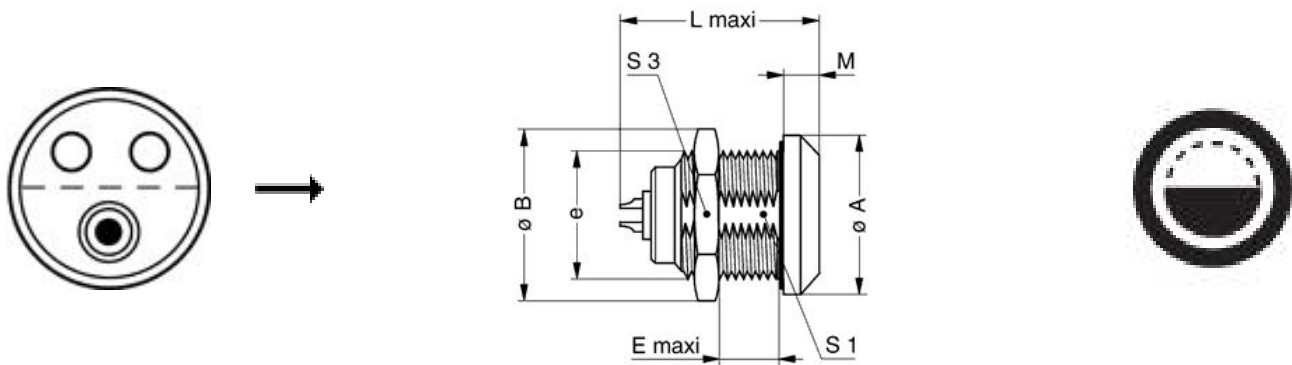
Others

Endurance (Shell): 5000 mating cycles

LEMO products and services are provided "as is". LEMO makes no warranties or representations with regard to LEMO product & services or use of them, express, implied or statutory, including for accuracy, completeness, or security. The user is fully responsible for his products and applications using LEMO components.

Temp (min / max): -55° C / +200° C
 Humidity (max): <=95% [at 60 deg C /140 F]
 Vibration: 15 g [10 Hz - 2000 Hz]
 Shock Resistance: 100 g [6 ms]
 Climatological Category: 50/175/21
 Shielding (min): 95 dB (10 MHz)
 Shielding (min): 80 dB (1 GHz)
 Salt Spray Corrosion: >1000 hr

DRAWINGS



Dimensions

	A	B	E	L	M	S1	S3	e
mm.	25	27.5	9	28.5	5	18.5	24	M20x1.0
in.	0,98	1,08	0,35	1,12	0,20	0,73	0,94	

RECOMMENDED BY LEMO

Tools

LEMO products and services are provided "as is". LEMO makes no warranties or representations with regard to LEMO product & services or use of them, express, implied or statutory, including for accuracy, completeness, or security. The user is fully responsible for his products and applications using LEMO components.