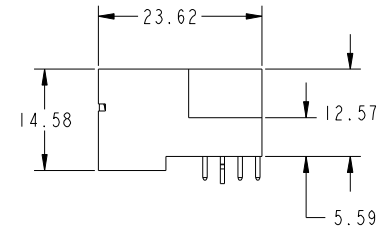
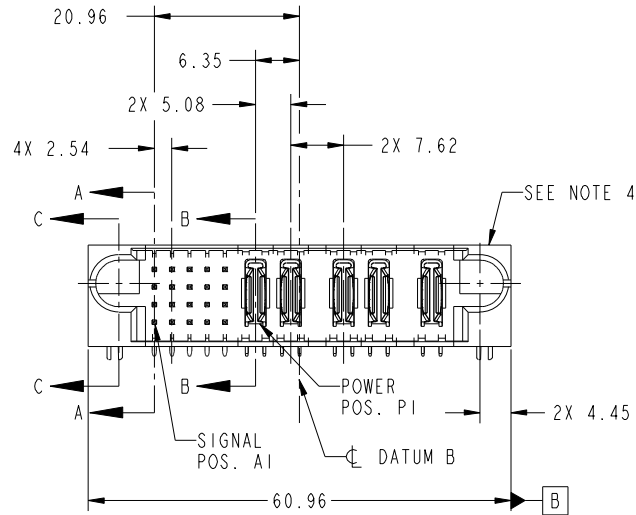


Tous droits strictement réservés. Reproduction ou communication a des tiers interdite sous quelque forme que ce soit sans autorisation écrite du propriétaire. Propriete de c FCI. Droits de reproduction FCI.



All rights strictly reserved. Reproduction or issue to third parties in any form whatever is not permitted without written authority from the proprietor. Property of FCI. Copyright FCI.

PRODUCT NO.	ROWS	SIGNAL					POWER					E1	E2
		1	2	3	4	5	P1	P2	P3	P4	P5		
51939-439... NOTE 3	D C B A	UUUUU	UUUUU	UUUUU	UUUUU	UUUUU	PA	PA	PA	PA	PA	HA	HA



CODE	DIM "M" MATING LENGTH	CONTACT TYPE
U	[6.86]	SIGNAL
T	[6.86]	SIGNAL
S	[6.86]	SIGNAL
R	[6.86]	SIGNAL
PA	[N/A]	POWER
HA	[N/A]	HOLD-DOWN

mat'l code				SEE NOTE		tolerances unless otherwise specified		CUSTOMER		FCI	
ltr	ecn no.	dr	date	linear	0.X ± 0.5	projection		COPY		www.fciconnect.com	
A	DG09-0194	JW	05/21/09	angles	0.XX ± 0.25	MIM		title		20S + 4P + IACP	
				dr	0.XXX ± 0.1	← MIM →		product family		PwrBlade	
				enr	0° ± 2°	scale		size		code	
				chr	JULIA WANG 05/08/09	1:1		dwg no		213	
				appd	JEROME CHEN 05/08/09			51939-439		sheet	
					PM ZHENG 05/08/09			A		1 of 4	
					JOSEPH HSIA 05/08/09						
sheet index	revision sheet	A	A	A	A						
		1	2	3	4						

cage code 22526

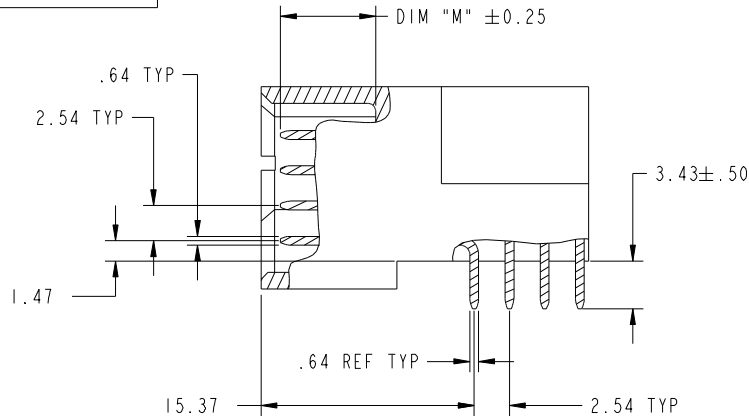
Pro/E

Tous droits strictement reserves. Reproduction ou communication a des tiers interdite sous quelque forme que ce soit sans autorisation ecrite du proprietaire. Propriete de c FCI. Droits de reproduction FCI.

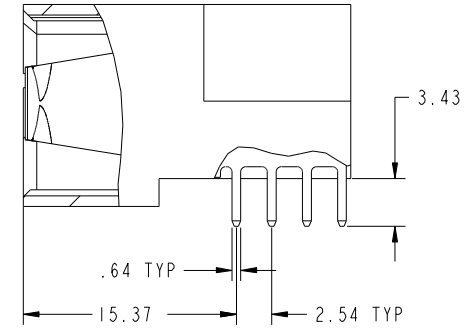
All rights strictly reserved. Reproduction or issue to third parties in any form whatever is not permitted without written authority from the proprietor. Property of FCI. Copyright FCI.



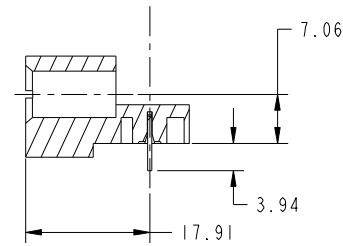
PRODUCT NUMBER  
51939-439-  
NOTE: 3



BROKEN-OUT SECTION A-A  
SCALE 2:1



BROKEN-OUT SECTION B-B  
SCALE 2:1



SECTION C-C

mat'l code				SEE NOTE		tolerances unless otherwise specified		CUSTOMER		FCI	
ltr	ecn no.	dr	date	linear	0.X ±0.5	COPY		projection		www.fciconnect.com	
A					0.XX ±0.25	MIM		title		20S + 4P + IACP	
				angles	0.XXX ±0.1	1:1		product family		PwrBlade	
				dr	0° ±2°	scale		size		code	
				enr	JULIA WANG 05/08/09	A		dwg no		213	
				chr	JEROME CHEN 05/08/09			51939-439		sheet	
				appd	PM ZHENG 05/08/09					2 of 4	
					JOSEPH HSIA 05/08/09						
sheet index	revision sheet										

cage code 22526

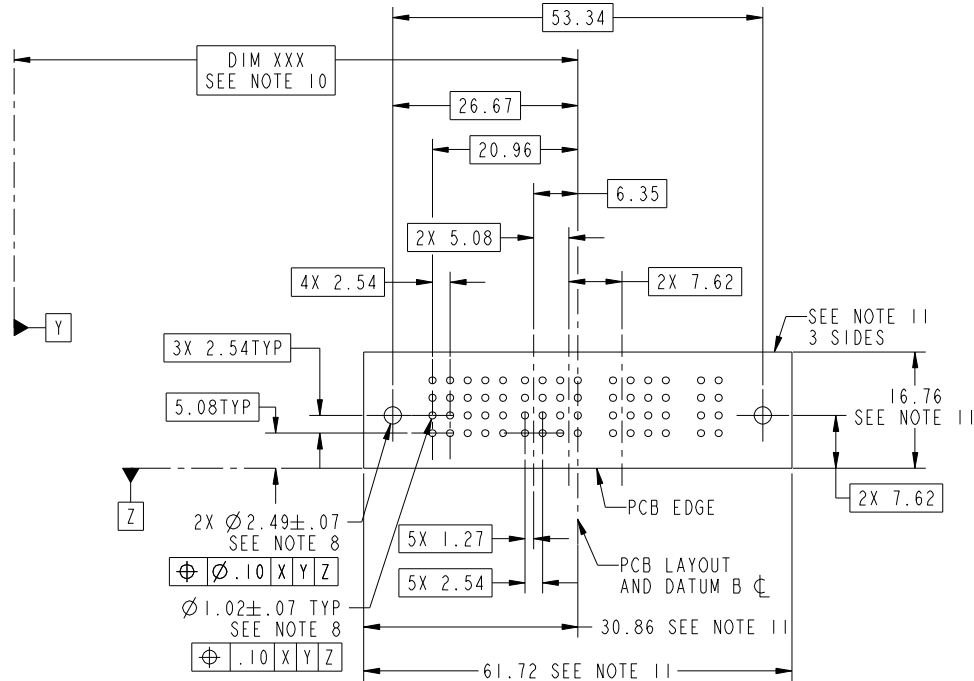
Pro/E

Tous droits strictement reserves. Reproduction ou communication a des tiers interdite sous quelque forme que ce soit sans autorisation écrite du propriétaire. Propriete de c FCI. Droits de reproduction FCI.



All rights strictly reserved. Reproduction or issue to third parties in any form whatever is not permitted without written authority from the proprietor. Property of FCI. Copyright FCI.

PRODUCT NUMBER  
51939-439\_  
NOTE: 3



RECOMMENDED PCB LAYOUT

mat'l code		SEE NOTE		tolerances unless otherwise specified		CUSTOMER		FCI	
ltr	ecn no.	dr	date	linear	0.X ± 0.5	COPY		www.fciconnect.com	
A				linear	0.XX ± 0.25	projection		title	
				angles	0.XXX ± 0.1			20S + 4P + IACP RIGHT ANGLE SOLDER HEADER	
				dr	0° ± 2°	MIM		product family	PwrBlade
				enrg	JULIA WANG 05/08/09	scale		size	code
				chr	JEROME CHEN 05/08/09	1:1		dwg no	213
				appd	PM ZHENG 05/08/09	A		51939-439	sheet
					JOSEPH HSIA 05/08/09			3 of 4	
sheet index	revision sheet								

cage code 22526

Pro/E

Tous droits strictement reserves. Reproduction ou communication a des tiers interdite sous quelque forme que ce soit sans autorisation écrite du propriétaire. Propriete de c FCI. Droits de reproduction FCI.



All rights strictly reserved. Reproduction or issue to third parties in any form whatever is not permitted without written authority from the proprietor. Property of FCI. Copyright FCI.

PRODUCT NUMBER  
51939-439-  
NOTE: 3

NOTES:

1. DIMENSIONS AND TOLERANCES ARE IN ACCORDANCE WITH ASME Y14.5M, 1994 UNLESS OTHERWISE SPECIFIED.

CONNECTOR NOTES:

- 2. HOUSING MATERIAL: UL 94 V-0 GLASS FILLED  
HIGH-TEMP THERMOPLASTIC  
POWER CONTACT MATERIAL: COPPER ALLOY  
SIGNAL PIN MATERIAL: COPPER ALLOY
- 3. PLATING:  
SEE ITEM 1 & 2 IN PRINT 10064183 FOR PLATING SPEC. OF 51939-439; 51939-439LF RESPECTIVELY.
- 4. MANUFACTURER'S NAME, P/N, AND DATE CODE TO APPEAR ON THIS SURFACE.
- 5. PRODUCT SPECIFICATION GS-12-149.  
APPLICATION SPECIFICATION BUS-20-067.
- 6. PACKAGED IN TRAYS.

PCB NOTES:

- 7. ALL HOLE DIAMETERS ARE FINISHED HOLE SIZE.
- 8. MOUNTING HOLES, WHERE APPLICABLE, ARE UNPLATED.
- 9.  $\varnothing 1.151 \pm 0.025$  DRILLED HOLES PLATED WITH  
0.008 MIN SnPb OR Sn OVER 0.03  
TO 0.08 Cu PLATING TO ACHIEVE  
 $\varnothing 1.02 \pm .07$  HOLE.
- 10. "DIM XXX" TO BE DETERMINED BY THE CUSTOMER.
- 11. CONNECTOR KEEP-OUT ZONE.

mat'l code		SEE NOTE		tolerances unless otherwise specified		CUSTOMER		FCI		www.fciconnect.com	
ltr	ecr no.	dr	date	linear	0.X ± 0.5	COPY		projection	title		
A					0.XX ± 0.25	MIM			20S + 4P + IACP		
				angles	0.XXX ± 0.1	← MIM →			RIGHT ANGLE SOLDER HEADER		
				dr	JULIA WANG 05/08/09	scale		product family		PwrBlade	code
				enr	JEROME CHEN 05/08/09	1:1		size	dwg no		213
				chr	PM ZHENG 05/08/09	A		51939-439		sheet	4 of 4
				appd	JOSEPH HSIA 05/08/09						
sheet index	revision sheet										

cage code 22526

Pro/E