



MICRO SWITCH

FREPORT, ILLINOIS, U.S.A
A DIVISION OF HONEYWELL

FED. MFG. CODE 91929

SWITCH-BASIC

CATALOG LISTING

V3-19

CK-A1900

V3-19

M

DRAWING NUMBER

ISSUE

M12

RELEASE NO.

28 MAY 65

CHECK

DEF

REPLACES

18 MAY 65

CHECK

ASD

REVISIONS

A

CO20189

M B F

12 MAY 65

B

CO21900

D W C

8 JAN 67

C

CO31809

M E R

22 JAN 73

D

CO

30097

S W A

1 OCT 83

E

CO74639

REPLACES

RELEASE NO.

28 MAY 65

CHECK

DEF

REPLACES

18 MAY 65

CHECK

ASD

REVISIONS

A

CO20189

M B F

12 MAY 65

B

CO21900

D W C

8 JAN 67

C

CO31809

M E R

22 JAN 73

D

CO

30097

S W A

1 OCT 83

E

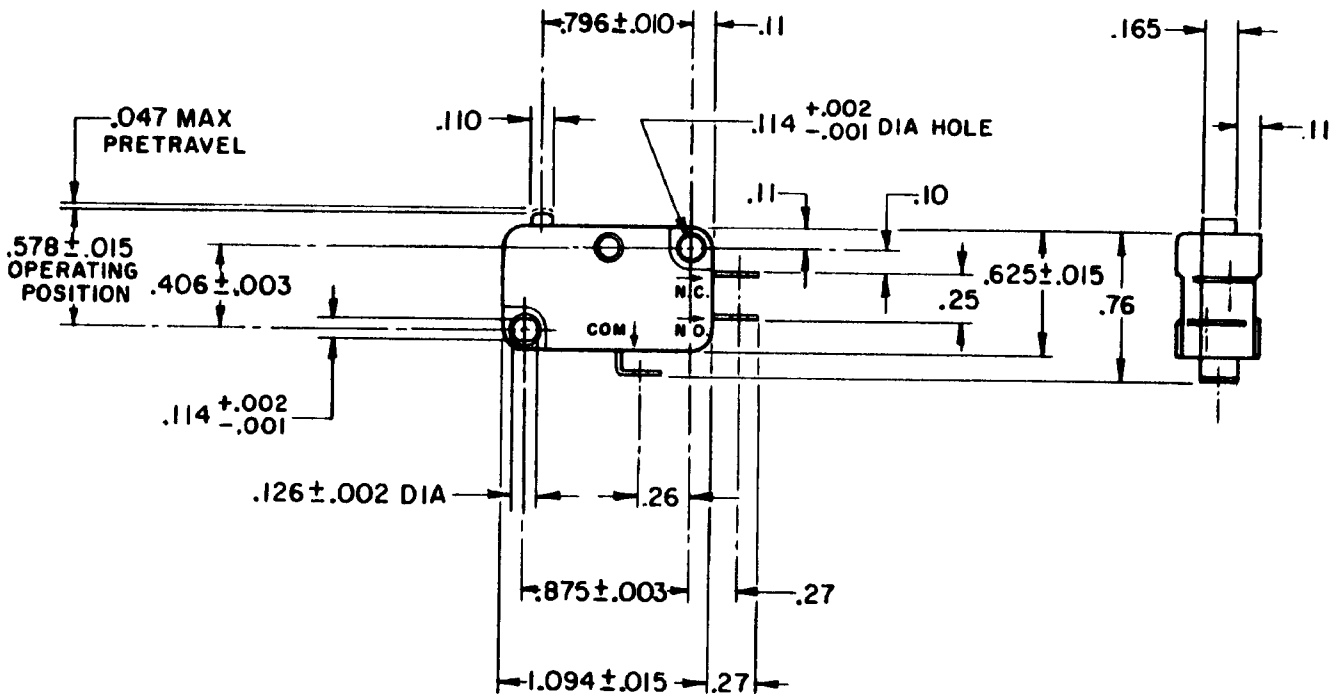
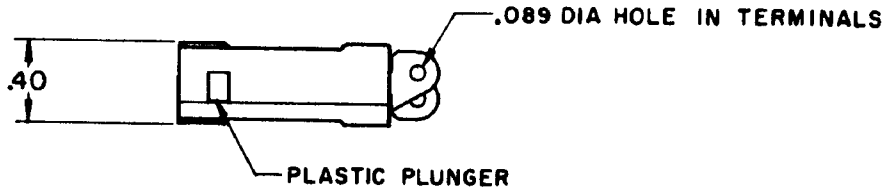
CO74639

M B F

12 MAY 65

CHECK

DEF



NOTE -
1- TERMINALS ARE PLATED FOR SOLDERING

THIS DRAWING COVERS A PROPRIETARY ITEM AND IS THE PROPERTY OF MICRO SWITCH, A DIVISION OF HONEYWELL. THIS DRAWING IS NOT TO BE COPIED OR USED WITHOUT THE APPROVAL OF MICRO SWITCH.

CHARACTERISTICS

OPERATING FORCE	6 - 14 OZ
RELEASE TRAVEL	.007 MIN
RELEASE FORCE	4 OZ MIN
DIFFERENTIAL TRAVEL	.006 - .016
OVERTRAVEL	.040 MIN
FREE POSITION	.625 MAX

ELECTRICAL DATA

CONTACT ARRANGEMENT
S P D T

L83
15.1A 1/2HP 125 OR 250 VAC
1/2A 125 VDC, 1/4A 250 VDC
5A 125 VAC "L"



SCALE FULL

DO NOT SCALE PRINT

UNLESS OTHERWISE NOTED

DIMENSIONS ARE IN INCHES

TOLERANCES ARE:

ONE PLACE	(.0)	±.030
TWO PLACE	(.00)	±.015
THREE PLACE	(.000)	±.005
ANGLES		±

WEIGHT .016 LB

FC-90378

DRAWN

M B F

12 MAY 65

CHECK

DEF

REPLACES

18 MAY 65