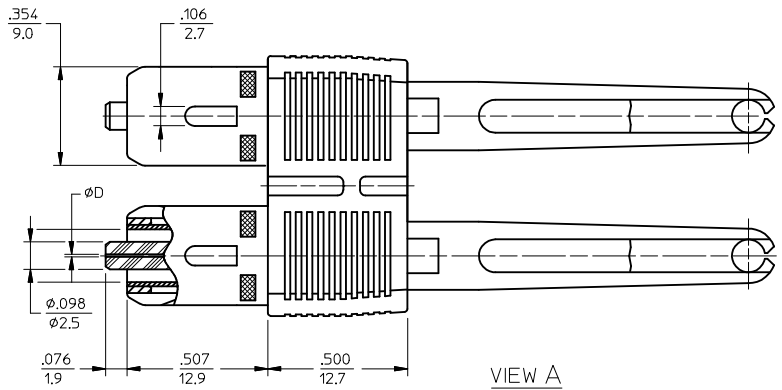
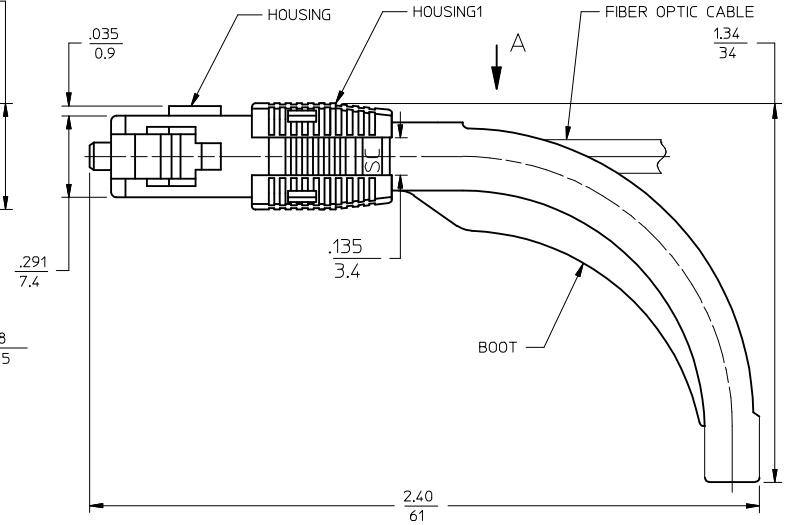
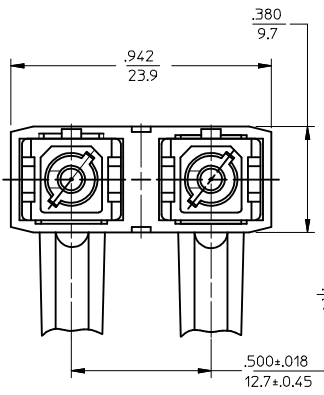


CONNECTOR P/N	ØD mm	HOUSING1, HOUSING, BOOT COLOR	CONNECTOR TYPE	CABLE OD mm
106066-0400	.127	BEIGE	MULTIMODE	3
106066-0600		BLACK		2.4
106066-0470		RED		
106066-0480				
106066-2400	.1255	BLUE	SINGLE MODE	3
106066-2480		RED		
106066-3400	.128	BEIGE	MULTIMODE	
106066-3470		BLACK		
106066-3480		RED		
106066-4400	.125	BLUE	SINGLE MODE	3
106066-4600				2.4
106066-5400				3
106066-5600				2.4
106066-5480	.126	RED		3
106066-7400				



<b>ENTER DESCRIPTION</b> EC NO: MF2010-0026 DR: MANKPEVZNER 2009/07/16 CHKD: 2009/07/17 APPR: WCHEN 2009/07/27 A3	QUALITY SYMBOLS ▽=0 ▽=0	GENERAL TOLERANCES (UNLESS SPECIFIED)		DIMENSION STYLE <b>INCH ONLY</b>		SCALE 1:1	DESIGN UNITS INCH	THIRD ANGLE PROJECTION			
		4 PLACES ± --- ± --- 3 PLACES ± --- ± --- 2 PLACES ± --- ± --- 1 PLACE ± --- ± ---	mm INCH	DRAWN BY PGIBLIN	DATE 2005/09/27	TITLE SC-D TYPE CONNECTOR 90D BOOT					
		ANGULAR ±1/2°		APPROVED BY DATE		Molex MOLEX INCORPORATED					
		DRAFT WHERE APPLICABLE MUST REMAIN WITHIN DIMENSIONS		MATERIAL NO. SEE TABLE		DOCUMENT NO. SD-106066-YYYO			SHEET NO. 1 OF 01		