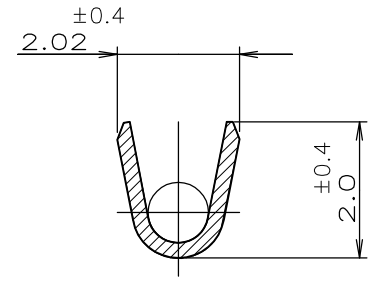
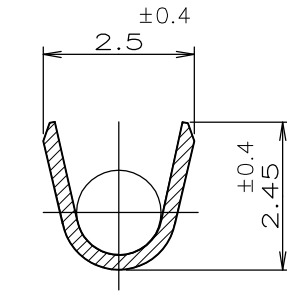
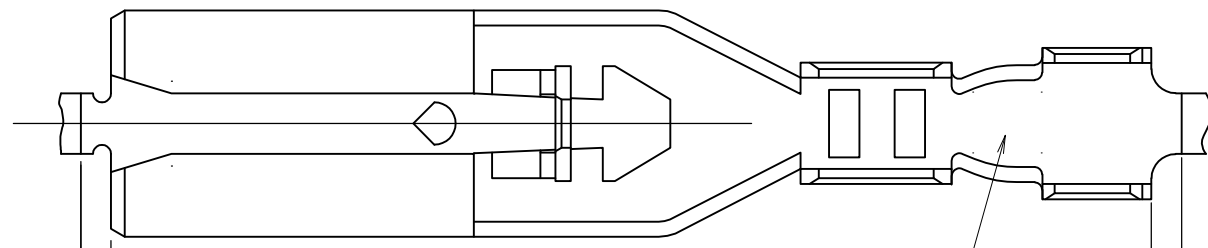


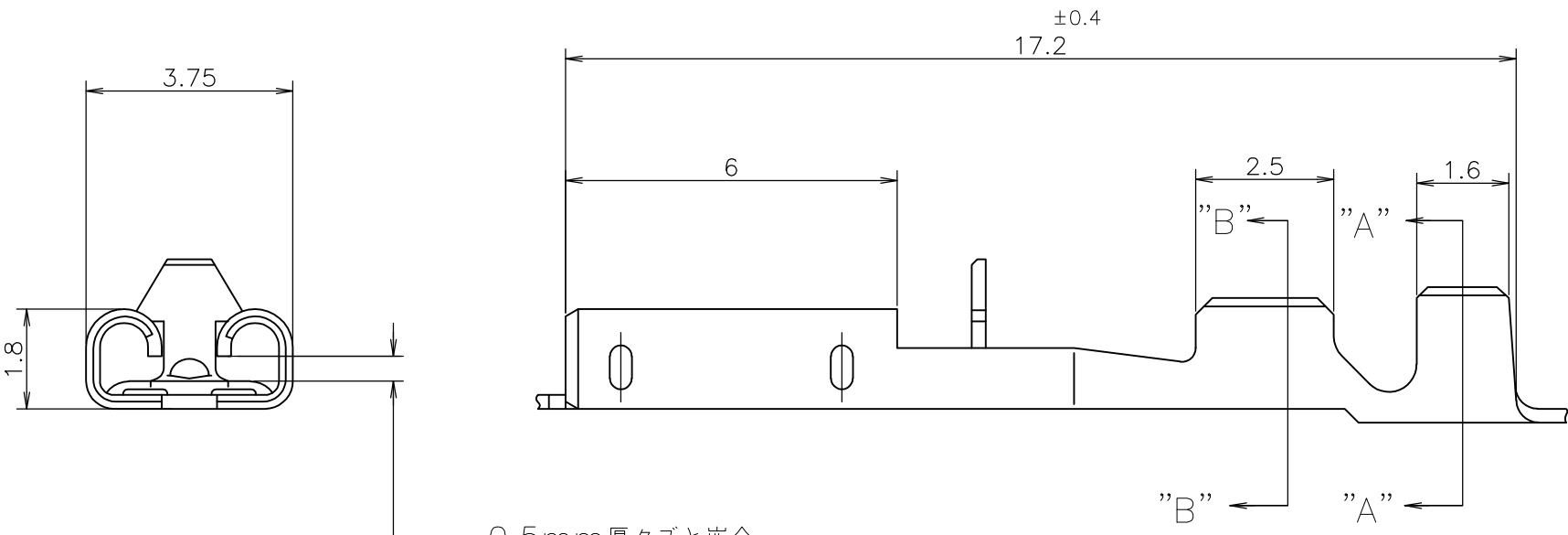
THIS DRAWING IS UNPUBLISHED. RELEASED FOR PUBLICATION
 © COPYRIGHT - By - ALL RIGHTS RESERVED.

REVISIONS					
変更					
P	LTR	DESCRIPTION	DATE	DWN	APVD
	F6	REVISED PER ECO-13-003391	25FEB13	B.P	YH.M
	F5	ECR-14-004105	27MAR14	D.L	T.D
	F6	ECO-17-012711	31AUG17	RS	TD



カット オフ タブ 0.5^{MAX}
CUT OFF TAB

0.5^{MAX} カット オフ タブ
CUT OFF TAB



0.5mm厚タブと嵌合
MATE WITH 0.5mm THK. TAB

NOTES

- HOUSING P/N : 174779-1
- APPLICATER P/N: 909101-2
- LOOSE PIECE P/N: SEE TABLE
- △ OBSOLETE PARTS: OBSOLETE CIS STREAMLINING PER D.RENAUD/D.SINISI

	—//—	BRASS, GOLD PLATING	175411-7
OBSOLETE	—//—	めっきなし・黄銅 PLAIN BRASS	175411-5
OBSOLETE	175412-2	錫めっき済黄銅 PRE-TIN PHOS BRO	△175411-2
	175412-1	錫めっき済黄銅 PRE-TIN BRASS	175411-1
	バラ状・型番 LOOSE PIECE P/N	材料 MATERIAL	型番 P/N
WIRE RANGE 総合電線断面積		INSULATION DIA 被覆外径	
AWG #24~#20		φ1.02~φ1.78	

THIS DRAWING IS A CONTROLLED DOCUMENT.

DIMENSIONS: 単位: 耗 mm	TOLERANCES UNLESS OTHERWISE SPECIFIED: 一般公差
	0 PLC ± 0.2
	1 PLC ± 0.25
	2 PLC ± 0.3
	3 PLC ± 0.3
	4 PLC ±
	ANGLES ± 3DEG
MATERIAL 材料	FINISH 仕上
SHEE TABLE	SHEE TABLE

DWN D.L	27MAR2014	STE TE Connectivity			
CHK T.D	27MAR2014				
APVD YH.M	27MAR2014				
NAME 名称	—				
PRODUCT SPEC 製品規格	108-5252	110SERIES POSITIVE LOCK REC. CONTACT			
APPLICATION SPEC 取付適用規格	114-5120				
WEIGHT		SIZE A3	CAGE CODE 00779	DRAWING NO 番号 C-175411	RESTRICTED TO —
CUSTOMER DRAWING			SCALE 尺度 8:1	SHEET 1 OF 1	REV F6