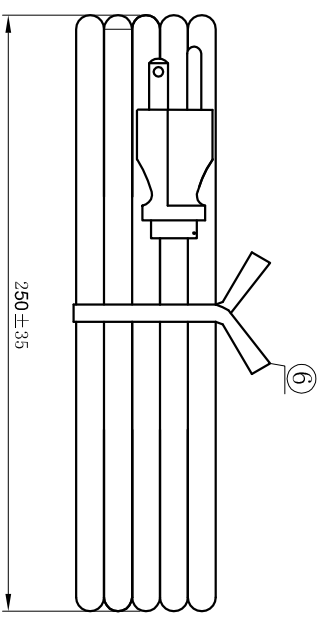
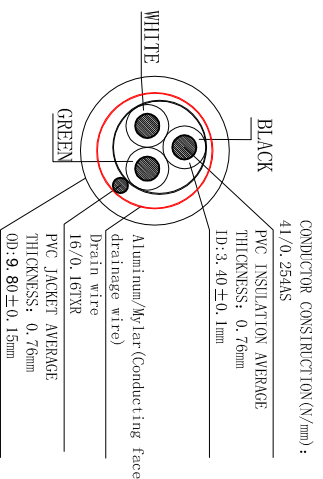
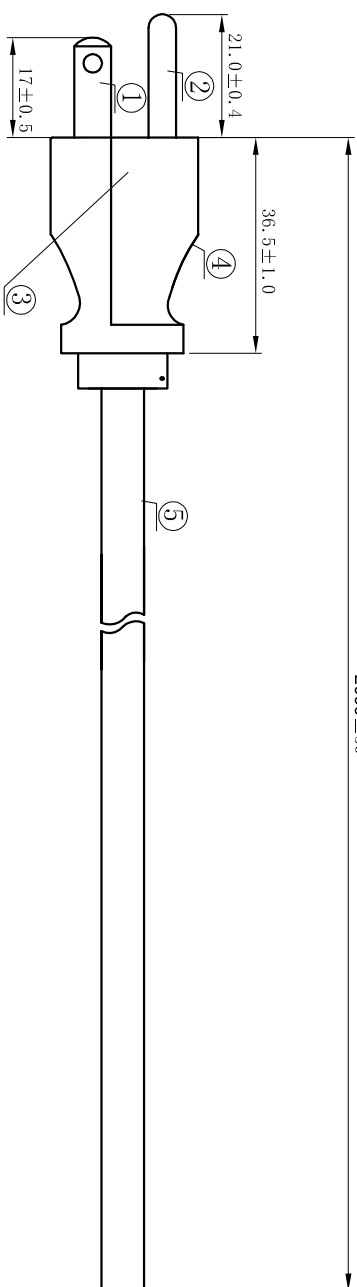
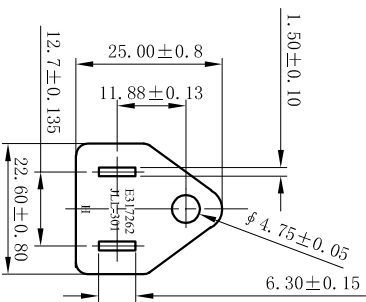


CnC Tech, LLC

Industrial Cable and Connector Technology

Engineer drawing

PART NO.	JLL-301	WIRE	SCALE	1 : 1
DESCRIPTION	SJT#14*3C 60C SHIELDED		UNIT:	mm
DWG No.	800-1401-0-SJT0-BL-00200			



NOTES:

- 1) JACKET COLOR: BLACK
 - 2). E-GREEN ; L-BLACK ; N-WHITE
- TESTING:**
- 1) 100% OPEN & SHORT TESTING
 - 2) INSULATION RESISTANCE: 100M ohm (min)
 - 3) VOLTAGE: DC500V/1min
 - 4) ROHS COMPLIANT

Printing the contents of wire		The use of printing ink replenish wire	
REV	DATE	DESCRIPTION	SYMBOL
①		Load terminals 98661	
②		Grounding terminal 97475	
③		Model aircraft 8661AW-3P	
④		Plug JLL-301	
⑤		Wire SJT 14AWG/3C 60°C	
⑥		Ties	

NO.	SPECIFICATION	COLOUR	MATERIAL	AMOUNT
①	Load terminals 98661	Silver	Cu	2P
②	Grounding terminal 97475	Silver	Cu	1P
③	Model aircraft 8661AW-3P	WHITE	PBT	1PCS
④	Plug JLL-301	BLACK	PVC Cu	1PCS
⑤	Wire SJT 14AWG/3C 60°C	BLACK	PVC Cu	1PCS
⑥	Ties	BLACK		1PCS

E2432711 (U1) SJT 3X14AWG(208um) VW-1 SHIELDED 60°C 300V CSA 228191 SJT 3 X14AWG(208um) P12 SHIELDED 60°C 300V -1P-