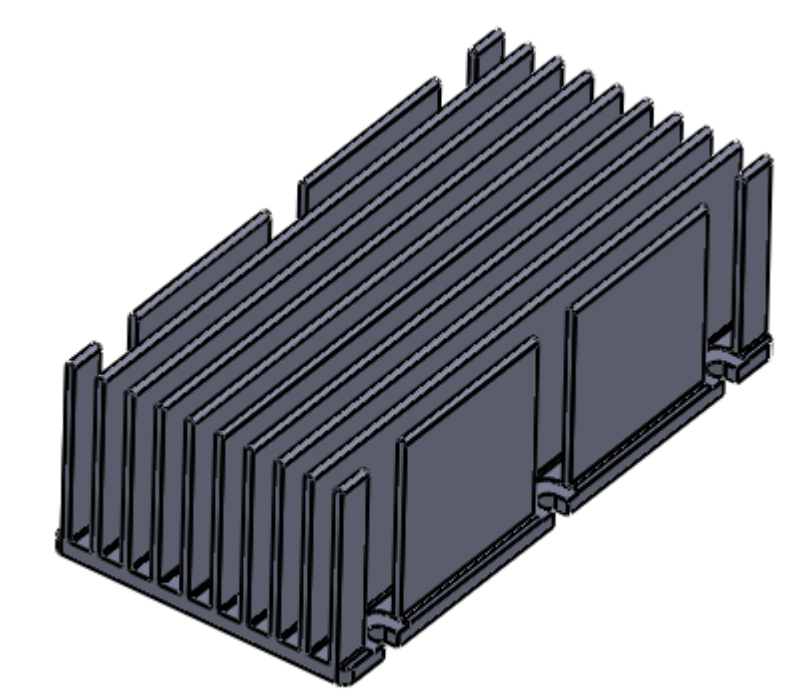
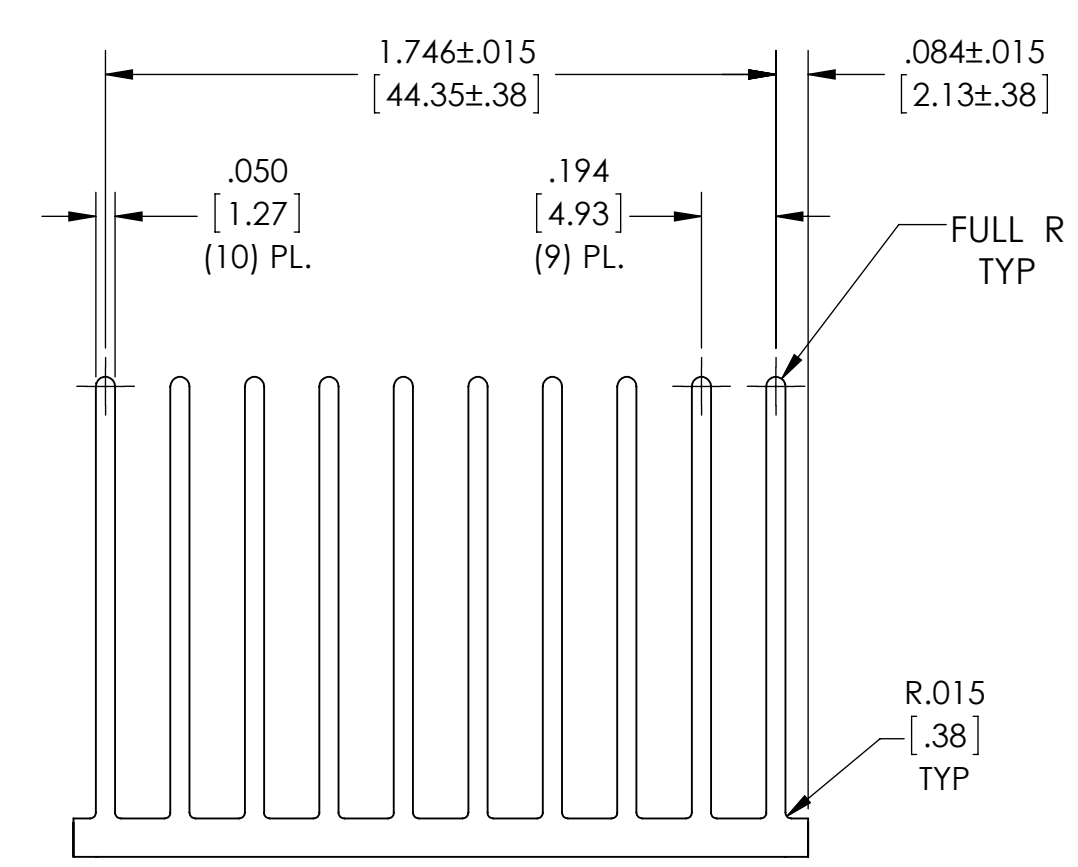
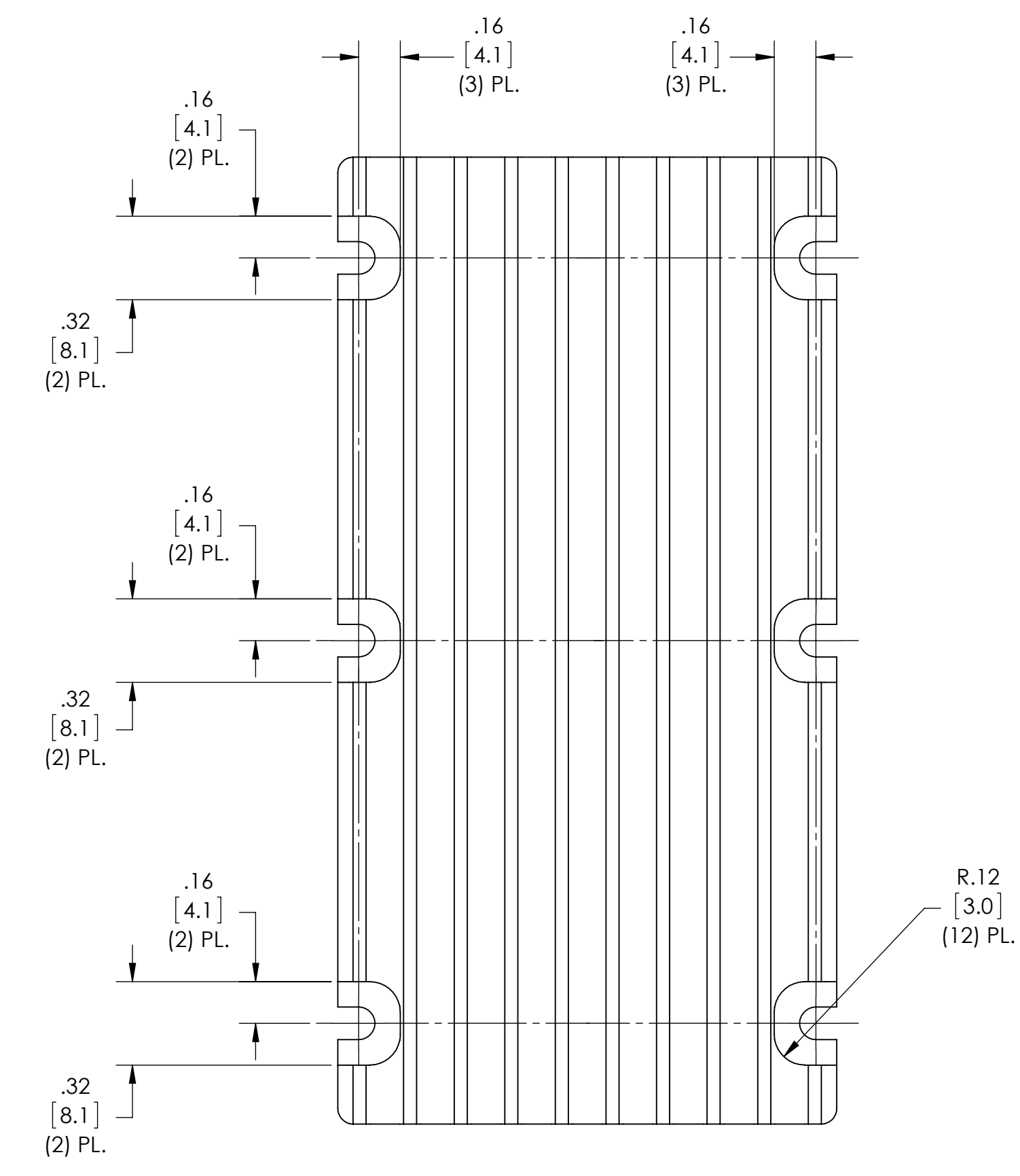
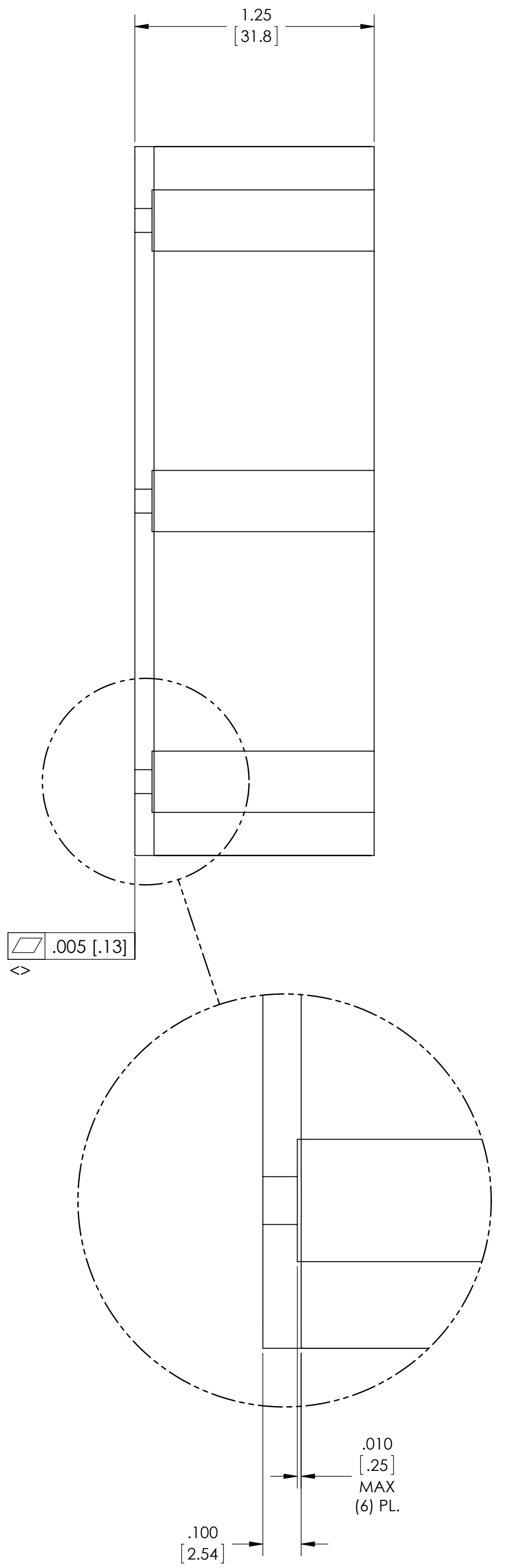
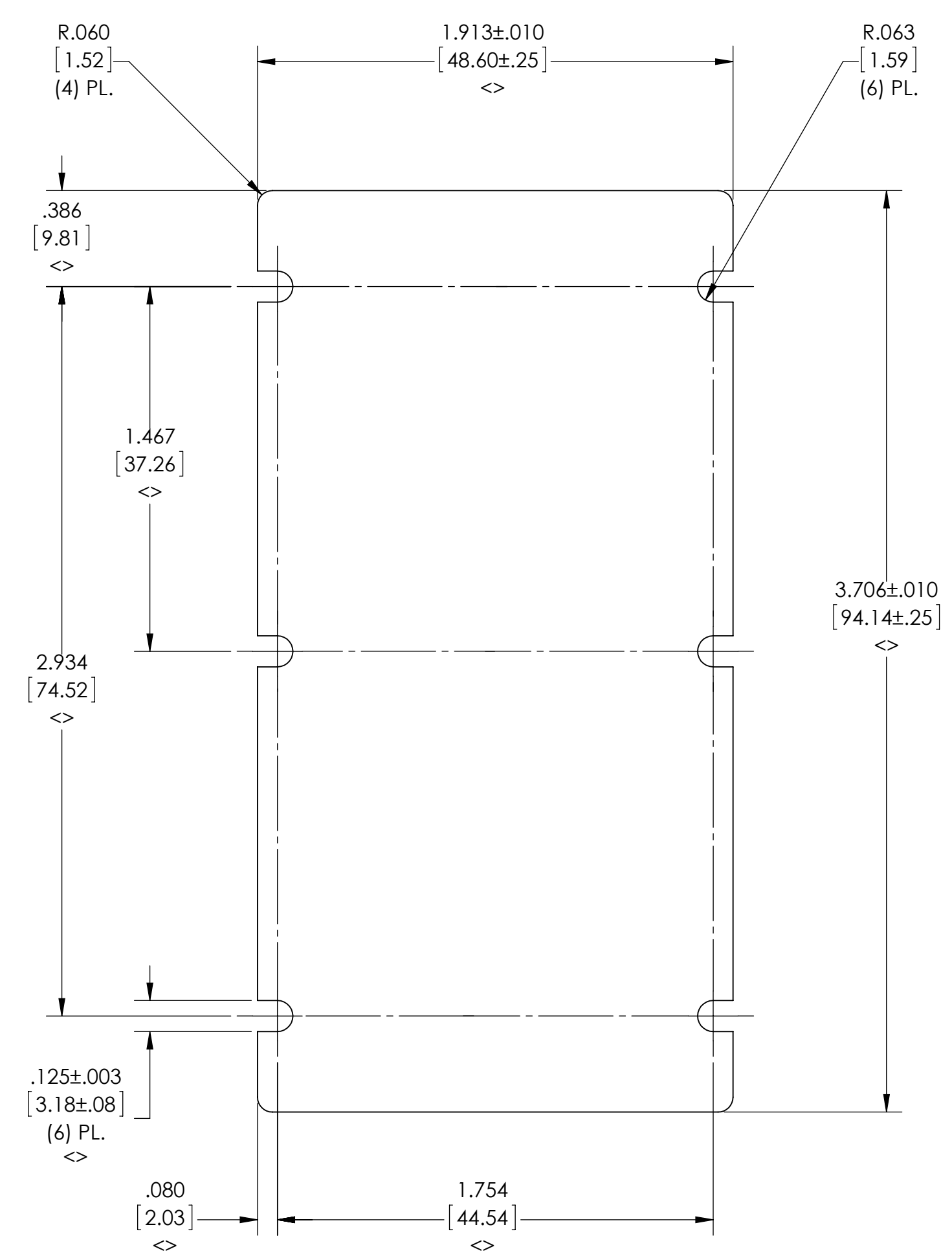


REV.	DESCRIPTION	DATE	APPROVED
1	RELEASED PER E120943	GCK 10/22/12	REJH
2	REVISED PER E130143	GCK 02/01/13	REJH



- NOTES:
- 1- MATL: ALUMINUM 6063-T5.
  - 2- CORNERS SHOWN SHARP TO BE .005/[.13] MAX.
  - 3- CLEAR FINISH, RoHS COMPLIANT PER CST-0001, LATEST REVISION PER  
 A.) CHROMIUM FREE, OR  
 B.) TRIVALENT CHROMIUM IN ACCORDANCE WITH MIL-DTL-5541, TYPE II, CLASS 1A OR 3.  
 SEE CST-0003 FOR TYPES OF AVAILABLE FINISHES.
  - 4- ALL DIMENSIONS APPLY AFTER PLATING.
  - 5- <> DENOTES CRITICAL CHARACTERISTIC FOR LOT INSPECTION.
  - 6- MAXIMUM STEP BETWEEN ADJOINING CUTTER PASSES TO BE .0005/[.013]
  - 7- BASE PLATE SURFACE PREPARATION PRIOR TO CLEAR FINISH IN ACCORDANCE WITH WS-0016.
  - 8- REMOVE ALL BURRS AND SHARPE EDGES.

DRAWN BY R.E.J Hickey	DATE 12/15/11	<b>VICOR</b> <small>SWD</small>	
UNLESS OTHERWISE SPECIFIED DIMENSIONS ARE: INCH / [MM]		<b>HEATSINK VIBrick L-FLOW 1.25</b>	
TOLERANCES ARE: DECIMALS XXX [X.X] = +0.01 [0.25] X.XXX [X.XX] = ±0.005 [0.127]	ANGLES ±1°	SIZE <b>D</b>	CAGE CODE <b>67131</b>
THIRD ANGLE PROJECTION	SCALE 2:1	DWG NO <b>38145</b>	REV <b>2</b>
DO NOT SCALE DRAWING		SHEET 1 OF 1	