

Me Slide Potentiometer

SKU: 13614 Weight: 17.00 Gram

What Is Me Slide Potentiometer?

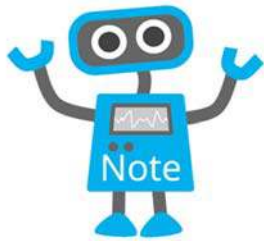
Me Slide Potentiometer is one type of potentiometer that can be used to control volume, light intensity, motor speed, movement control, etc. in interactive projects.

Features

- Compatible with the Arduino sensor expansion board;
- Three 4mm mounting holes and one RJ25 port for easy assembling;
- With one red power indicator and one blue potentiometer indicator;
- Anti-reverse connection protection feature.

How Does It Work?

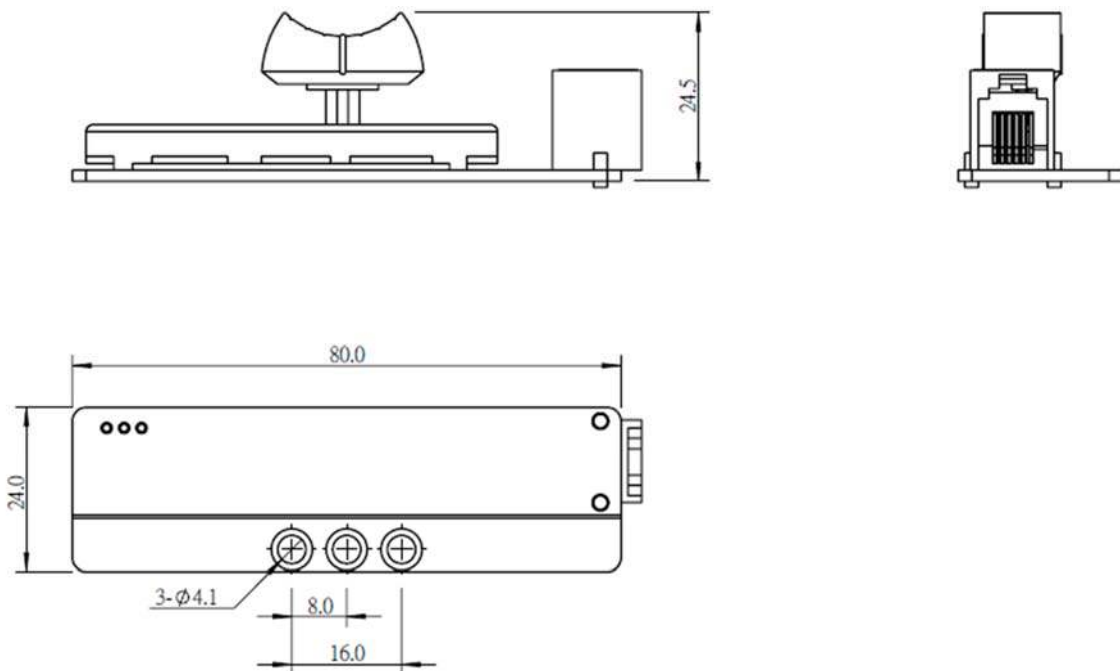
This Me Slide Potentiometer can be combined with Me Orion (or other Arduino IO/sensor expansion board) in interactive projects. Move the lever from one side to the other, its output voltage will range between 0 V to the VCC you apply. The VCC Me Slide Potentiometer supports vary from 3.3V to 5V.



Note

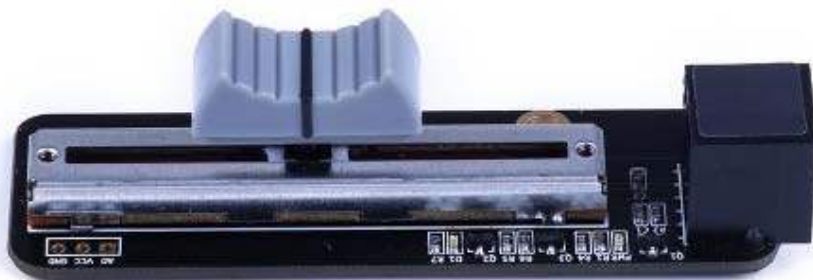
If you connect this module to Me Orion, please make sure you connect it to port 6, port 7 or port 8.

Size Chart (mm):



Specifications

Power Voltage	3.3-5V
Output Type	Analog Signal
Interface Type	RJ25 port
DIY Port	AO、GND、VCC
Potentiometer Rotational Life	10000 times
Product Dimension (L*W*H)	85 x 25 x 30mm (3.34 x 0.98 x 1.18inch)
Net Weight	15g (0.53oz)
Gross Weight	17g (0.6oz)
Part List	1 x Me Slide Potentiometer



<https://store.makeblock.com/me-slide-potentiometer> 8-7-18