

4

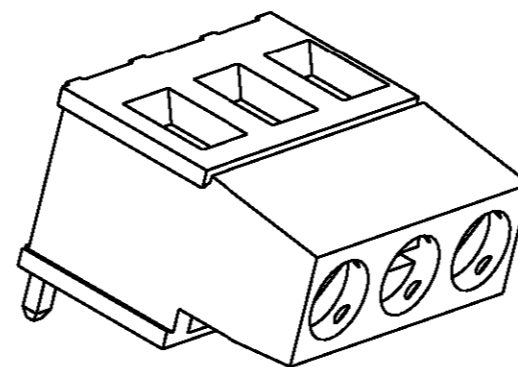
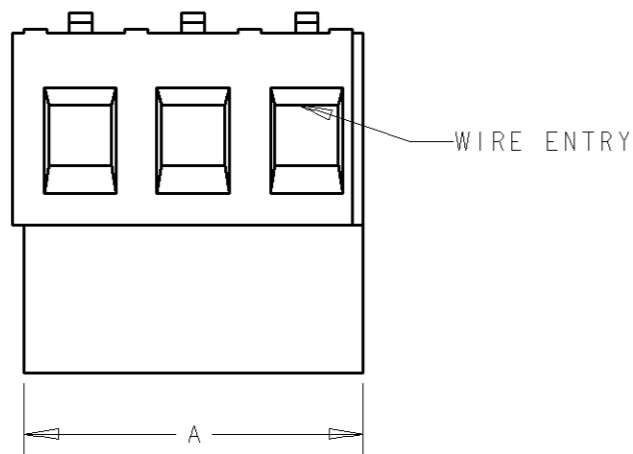
3

2

1

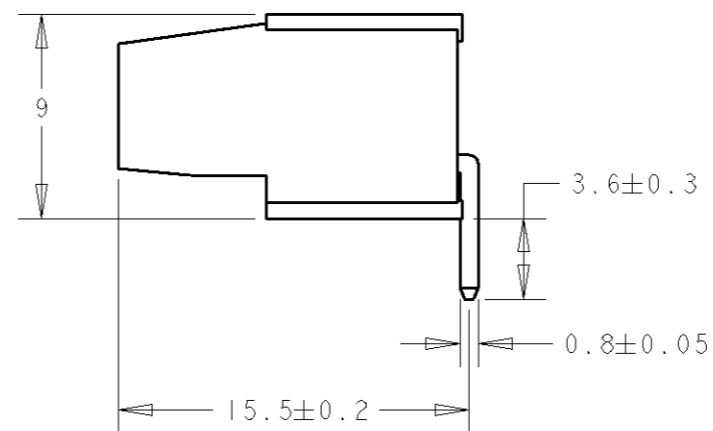
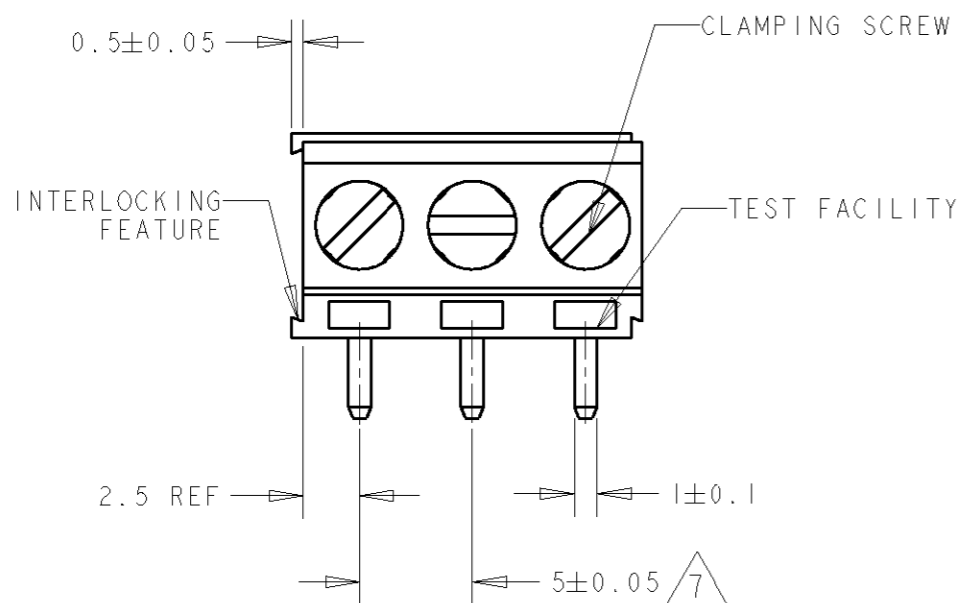
THIS DRAWING IS UNPUBLISHED. RELEASED FOR PUBLICATION 20
© COPYRIGHT 20 BY TYCO ELECTRONICS CORPORATION. ALL RIGHTS RESERVED.

LOC	DIST	REVISIONS			
P	LTR	DESCRIPTION	DATE	DWN	APVD
FT	0	A	RELEASED	16MAR2001	EZ DB

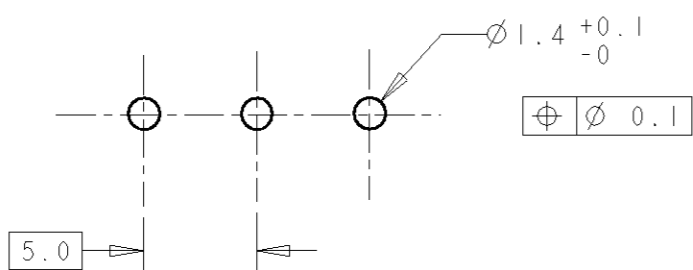


282850-3 AS SHOWN

125	25	2-796684-5
120	24	2-796684-4
115	23	2-796684-3
110	22	2-796684-2
105	21	2-796684-1
100	20	2-796684-0
95	19	1-796684-9
90	18	1-796684-8
85	17	1-796684-7
80	16	1-796684-6
75	15	1-796684-5
70	14	1-796684-4
65	13	1-796684-3
60	12	1-796684-2
55	11	1-796684-1
50	10	1-796684-0
45	9	796684-9
40	8	796684-8
35	7	796684-7
30	6	796684-6
25	5	796684-5
20	4	796684-4
15	3	796684-3
10	2	796684-2



RECOMMENDED PCB LAYOUT



<small>THIS DRAWING IS A CONTROLLED DOCUMENT FOR TYCO ELECTRONICS CORPORATION. IT IS SUBJECT TO CHANGE AND THE CONTROLLING ENGINEERING ORGANIZATION SHOULD BE CONTACTED FOR THE LATEST REVISION.</small>		DWN 16MAR2001 E. ZANOLINI		BUCHANAN Tyco Electronics Harrisburg, PA 17105-3608	
DIMENSIONS: mm		TOLERANCES UNLESS OTHERWISE SPECIFIED: 0 PLC ±- 1 PLC ±.3 2 PLC ±.25 3 PLC ±- 4 PLC ±- ANGLES ±2		NAME D. BIEVENOUR D. BIEVENOUR PRODUCT SPEC - APPLICATION SPEC - WEIGHT -	
MATERIAL 		FINISH 		SIZE A3	
		CAGE CODE 00779		DRAWING NO C-796684	
		RESTRICTED TO -		SCALE 3:1 SHEET 1 OF 2 REV A	
CUSTOMER DRAWING					

4

3

2

1

THIS DRAWING IS UNPUBLISHED.

RELEASED FOR PUBLICATION

20

© COPYRIGHT 20

BY TYCO ELECTRONICS CORPORATION. ALL RIGHTS RESERVED.

LOC

DIST

REVISIONS

FT

0

P

LTR

DESCRIPTION

DATE

DWN

APVD

-

SEE SHEET 1

-

-

-

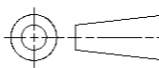


MATERIALS AND FINISH
 HOUSING: PA 6-6, UL 94-V0, COLOR BLUE.
 CLAMP: BRASS, NICKEL PLATED.
 TERMINAL: BRASS, TIN PLATED.
 CLAMPING SCREW: M3, BRASS, NICKEL PLATED.

- 2 SUITABLE FOR 1,6-2,4mm PC BOARD THICKNESS.
- 3 END-TO-END STACKABLE W/INTERLOCK WITHOUT LOSS OF CENTERLINE SPACING.
- 4 WIRE SIZE RANGE
 SOLID WIRE: 0,03-2,5mm² (13AWG).
 STRANDED WIRE: 0,03-1,5mm² (15AWG).
- 5 RECOGNIZED UNDER THE COMPONENT PROGRAM OF UNDERWRITERS LABORATORIES INC. FILE N° E60677.
- 6 IMQ CERTIFICATE WITH SURVEILLANCE IN CONFORMITY WITH IEC 998-1/998-2-1.



NOT CUMULATIVE TOLERANCE.

THIS DRAWING IS A CONTROLLED DOCUMENT FOR TYCO ELECTRONICS CORPORATION IT IS SUBJECT TO CHANGE AND THE CONTROLLING ENGINEERING ORGANIZATION SHOULD BE CONTACTED FOR THE LATEST REVISION.		DWN E. ZANOLINI 6MAR2001	Tyco Electronics Harrisburg, PA 17105-3608	
DIMENSIONS: mm		CHK D. BIEVENOUR 6MAR2001	NAME TERMINAL BLOCK, PCB MOUNT TOP ENTRY WIRE, STACKING W/ INTERLOCK, 5mm PITCH	
TOLERANCES UNLESS OTHERWISE SPECIFIED:		APVD D. BIEVENOUR 6MAR2001		
		PRODUCT SPEC -	SIZE A3	
MATERIAL -		APPLICATION SPEC -	CAGE CODE 00779	DRAWING NO C-796684
FINISH -		WEIGHT -	RESTRICTED TO -	
CUSTOMER DRAWING			SCALE 3:1	SHEET 2 OF 2
			REV A	