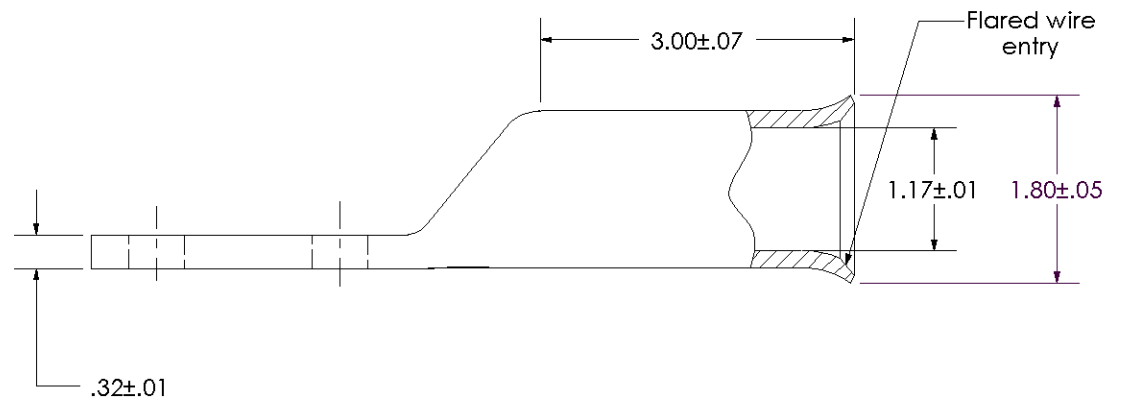
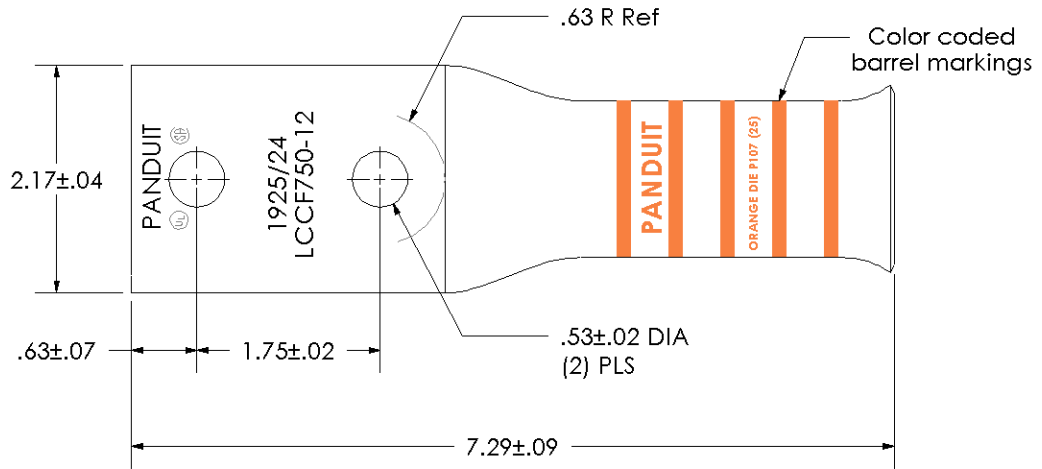


THIS COPY IS PROVIDED ON A RESTRICTED BASIS AND IS NOT TO BE USED IN ANY WAY DETRIMENTAL TO THE INTERESTS OF PANDUIT CORP.

| | |
|--|--|
| Material | High Conductivity Seamless Copper Tube |
| Plating | Electro-Tin |
| Wire Size & Type | Stranded Copper Flex Cable; 777.7 kcmil (1925/24) Diesel Locomotive |
| Wire Strip Length | 3-1/16 in. |
| Stud Size | 1/2 in. |
| UL Listed Wire Connector | Yes, for applications up to 35kv. Consult cable manufacturer for voltage stress relief instructions with applications greater than 2000 volts. |
| UL Temperature Rating | 90° C |
| C.S.A Certified Wire Connector | Yes |
| Panduit Color Code on Barrel | ORANGE |
| Panduit Die Index No. on Barrel | P107 |
| Alternate Industry Die Index No. () on Barrel | (25) |



CERTIFIED



LISTED Wire Connector

| | | | | | |
|-----|------|-----|-----|-------------|-------|
| 00 | 6-03 | PWS | PWS | RELEASED | 10858 |
| REV | DATE | BY | CHK | DESCRIPTION | ECN |

PANDUIT CORP. TINLEY PARK, ILLINOIS

LCCF750-12-3
Copper Lug - Two-Hole, Flared Long Barrel

SCALE N/A DRAWING NO / CAD FILE LCCF750-12-CUST