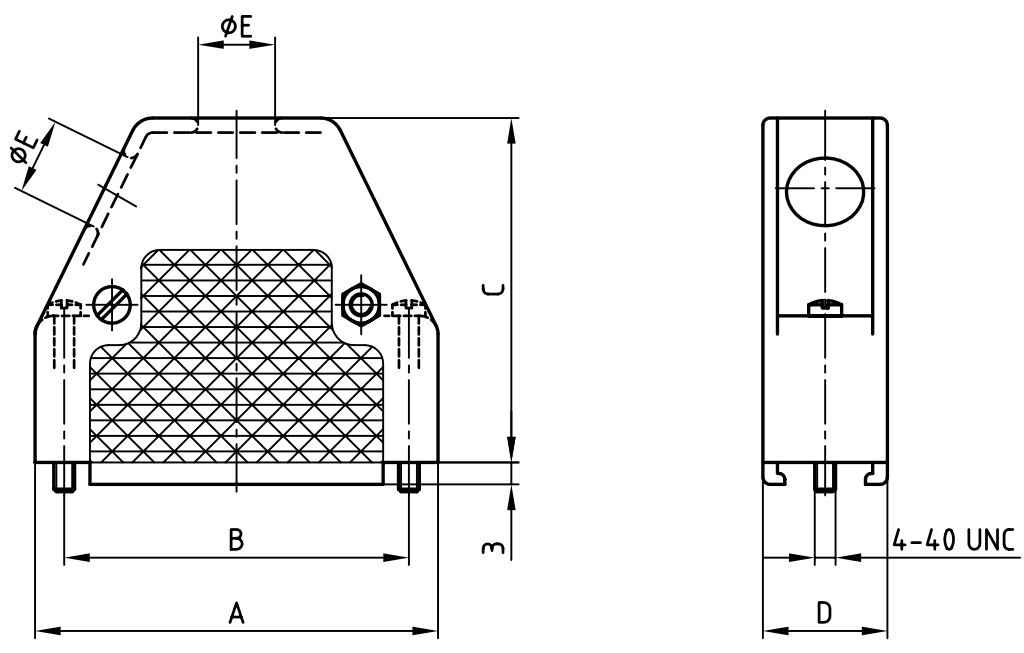


used for: D-SUB



No. of pos.	A	B	C	D	ϕE	Part No:
9	33.0	25.0	45.0	17.0	7.5	165X13019X
15	41.0	33.3	45.0	17.0	8.5	165X13029X
25	55.0	47.0	47.0	17.0	10.5	165X13039X
37	71.3	63.5	51.0	17.0	11.0	165X13049X
50	69.0	61.1	50.0	20.0	12.5	165X13059X

Directive 2002/95/EC
 „RoHS“
 Compliant

NOTES:
 1. HOOD: ABS UL 94 V-0
 2. SCREWS: BRASS

THIS DRAWING MAY NOT BE COPIED OR REPRODUCED IN ANY WAY, AND MAY NOT BE PASSED ON TO A THIRD PARTY WITHOUT WRITTEN PERMISSION.
 OWNERSHIP AND COPYRIGHT OF CONEC GmbH
 DO NOT ALTER CAD DRAWING BY HAND

			tolerance		scale: 1:1
					material: SEE NOTES
			2001	date	name
			drawn	02.10.	Parei
			appd.	02.10.	Mickenbecker
			norm		
			d-old		
rev.	description	date			

title:		PLASTC HOOD with straight and side cable entry with short screws, 9 - 50 pos.	
dwg no:	AutoCAD 2000	DIN-A	4
part no:		16K1A320A	sh: 1/1
part no:		SEE TABLE	

4 3 2 1

F

F

E

E

D

D

C

C

B

B

A

A

4 3 2 1