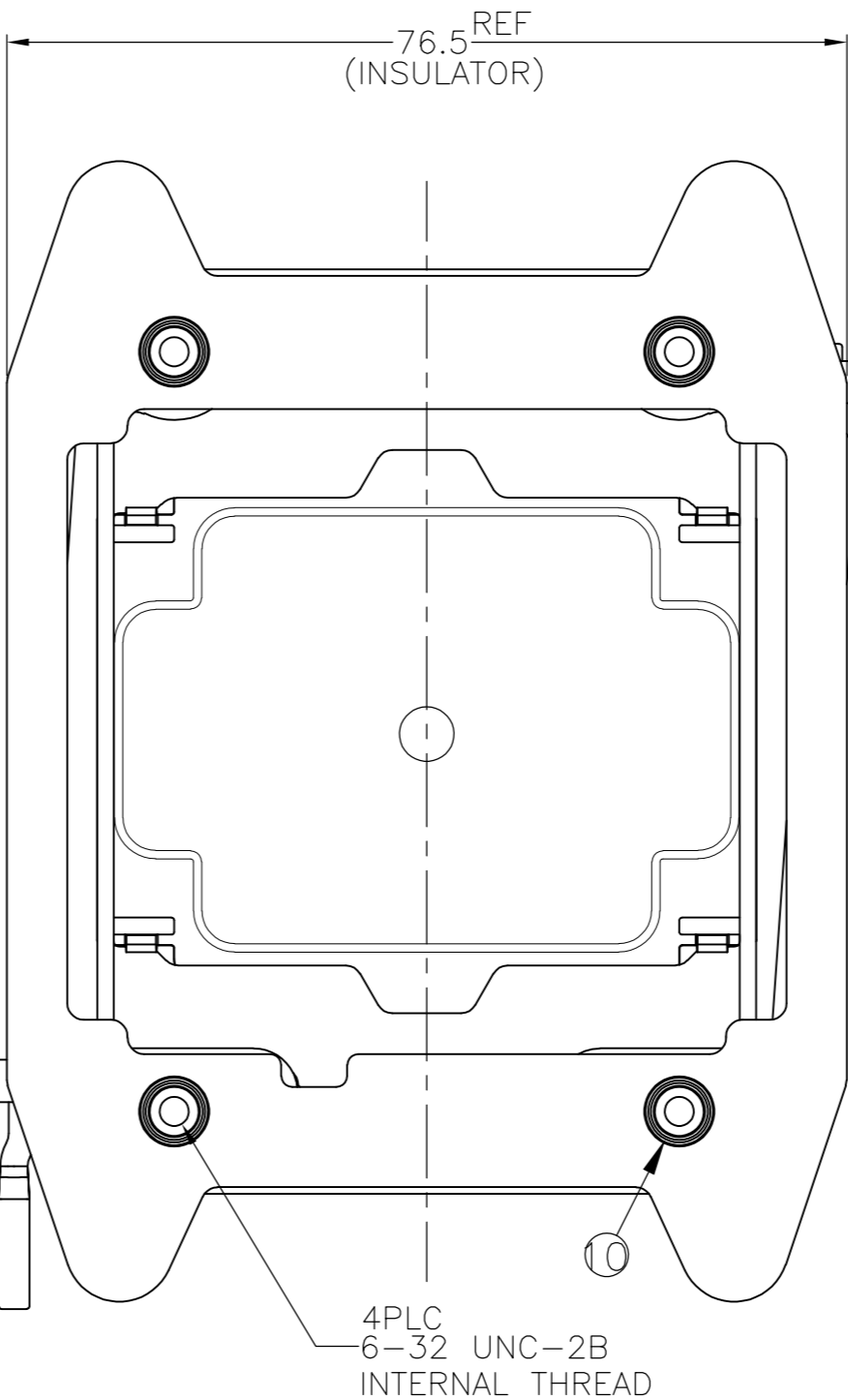
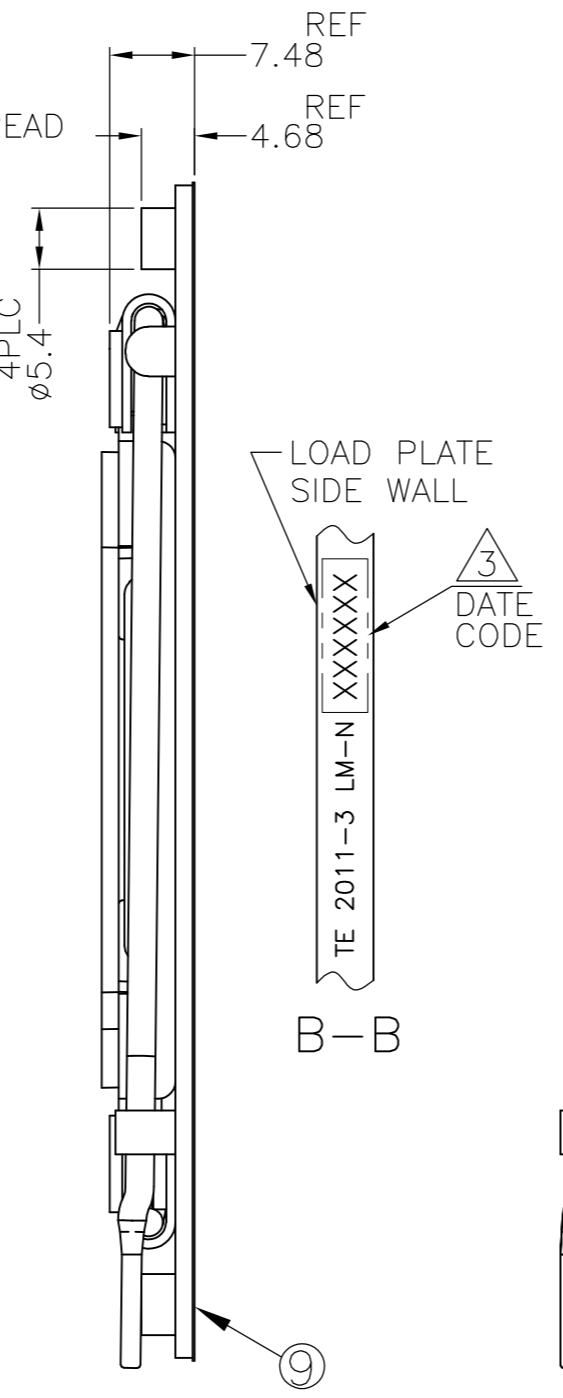
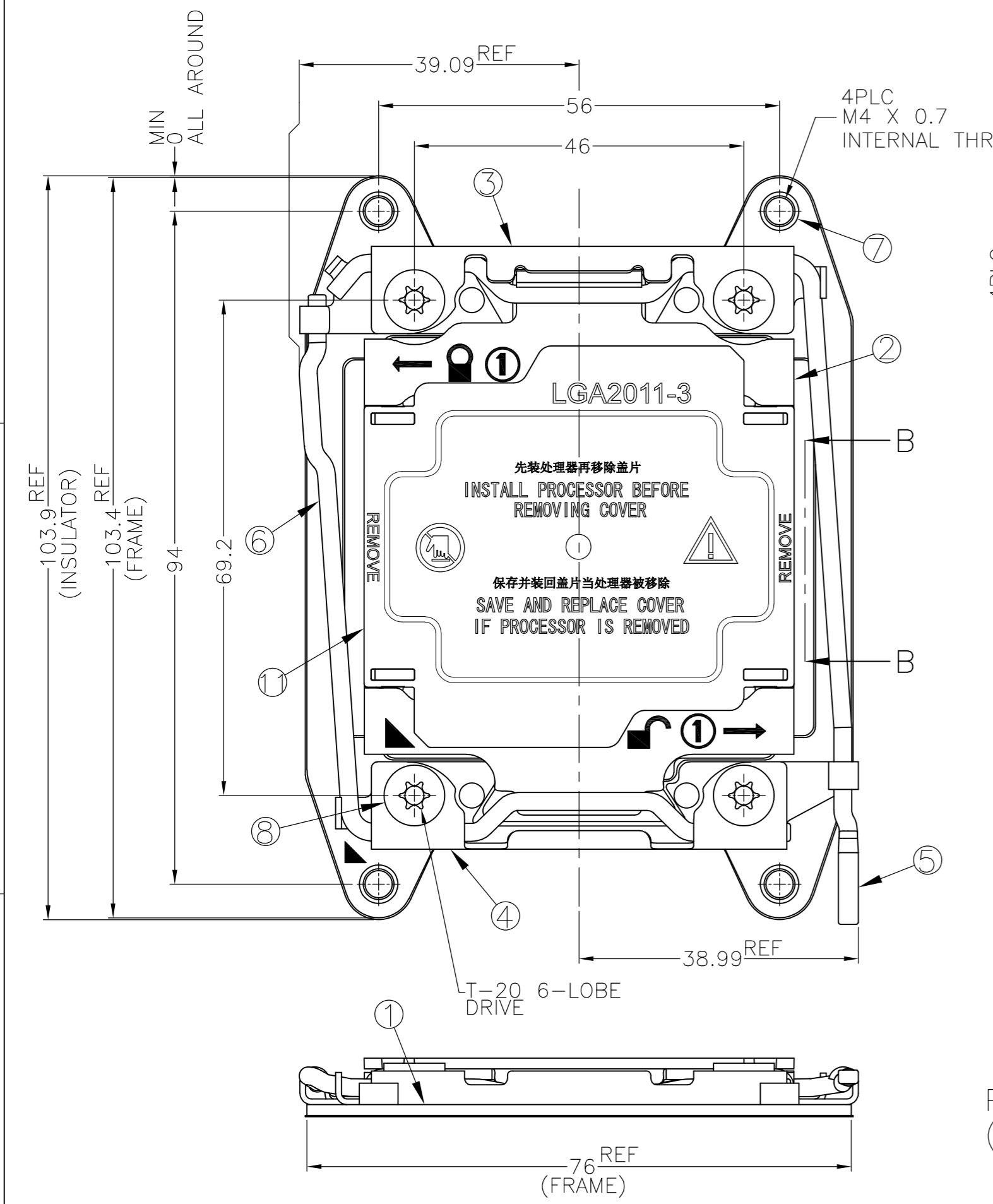
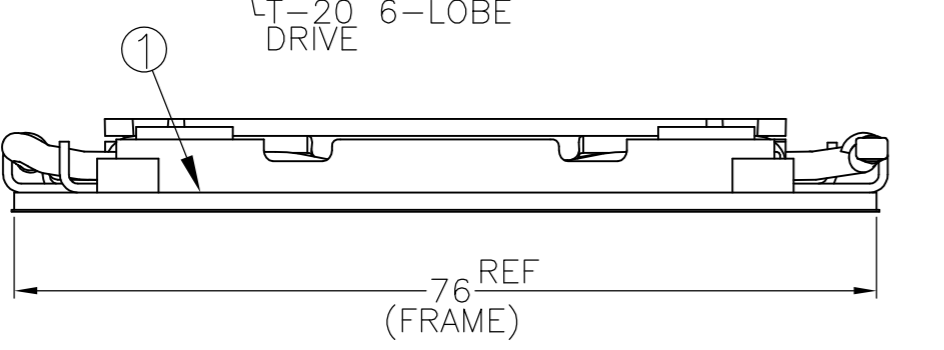
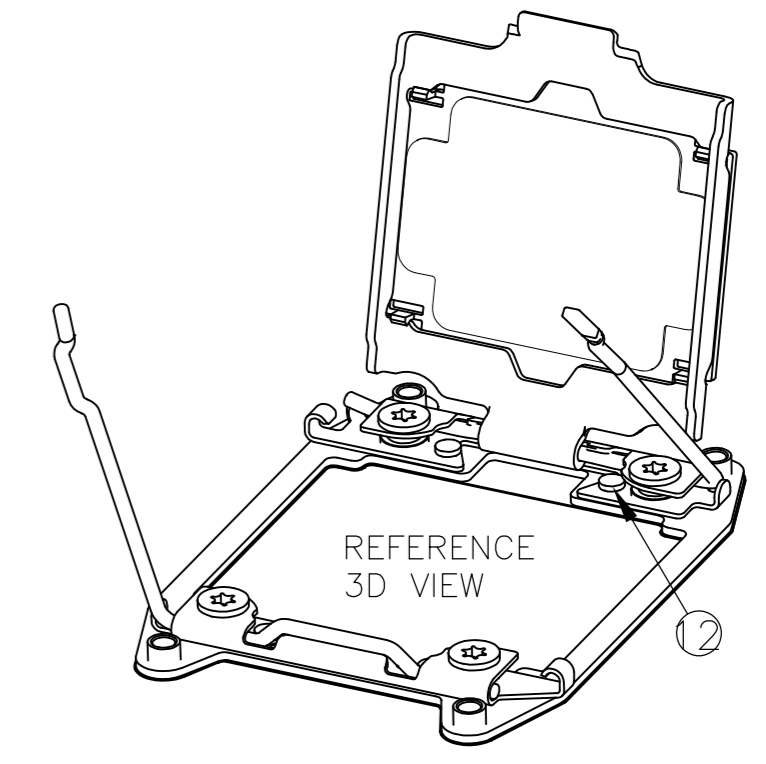


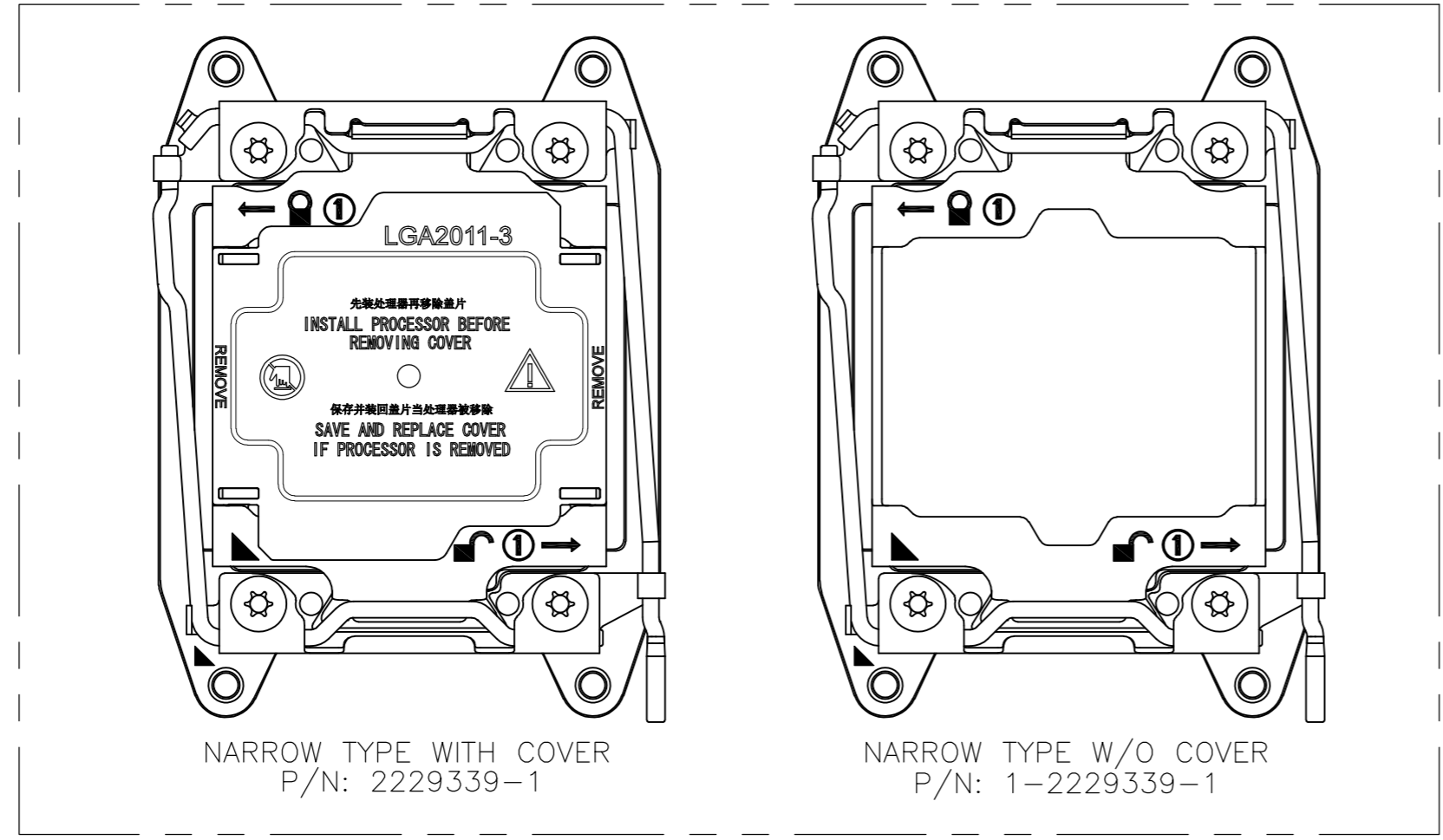
LOC	DIST	REVISONS 我更改 DESCRIPTION			DATE	DWN	APVD
J	-	P	LTR				
		A	RELEASED		29NOV'13	R.Z	C.W



1. MATERIAL
 - ① FRAME: STAINLESS STEEL
 - ② LOAD PLATE: STAINLESS STEEL
 - ③ HINGE CLEVIS: STAINLESS STEEL
 - ④ ACTIVE CLEVIS: STAINLESS STEEL
 - ⑤ HINGE LEVER: STAINLESS STEEL, 2.5 DIA
 - ⑥ ACTIVE LEVER: STAINLESS STEEL, 2.5 DIA
 - ⑦ HS STUD: CARBON STEEL, FINISH: NI PLATING
 - ⑧ CAPTIVE NUT: CARBON STEEL, FINISH: NI PLATING
 - ⑨ INSULATOR: POLYCARBONATE FILM PLUS ACRYLIC ADHESIVE LAYER
 - ⑩ CAPTIVE NUT COLLAR: CARBON STEEL, FINISH: NI PLATING
 - ⑪ DUST COVER: THERMO-PLASTIC, UL94V-0, BLACK
 - ⑫ RIVET: STAINLESS STEEL
2. APPLICABLE SOCKET P/N: 2201838 SERIES
- ③ INDICATED DATE CODE ON THE LOAD PLATE
- ④ DO NOT OPEN WITH FORCE FROM OPEN END

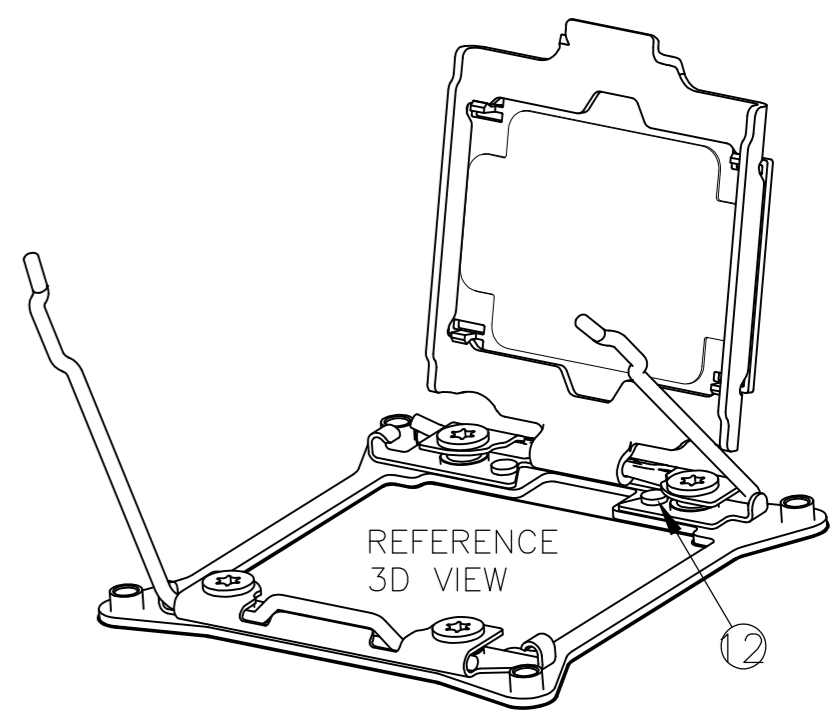
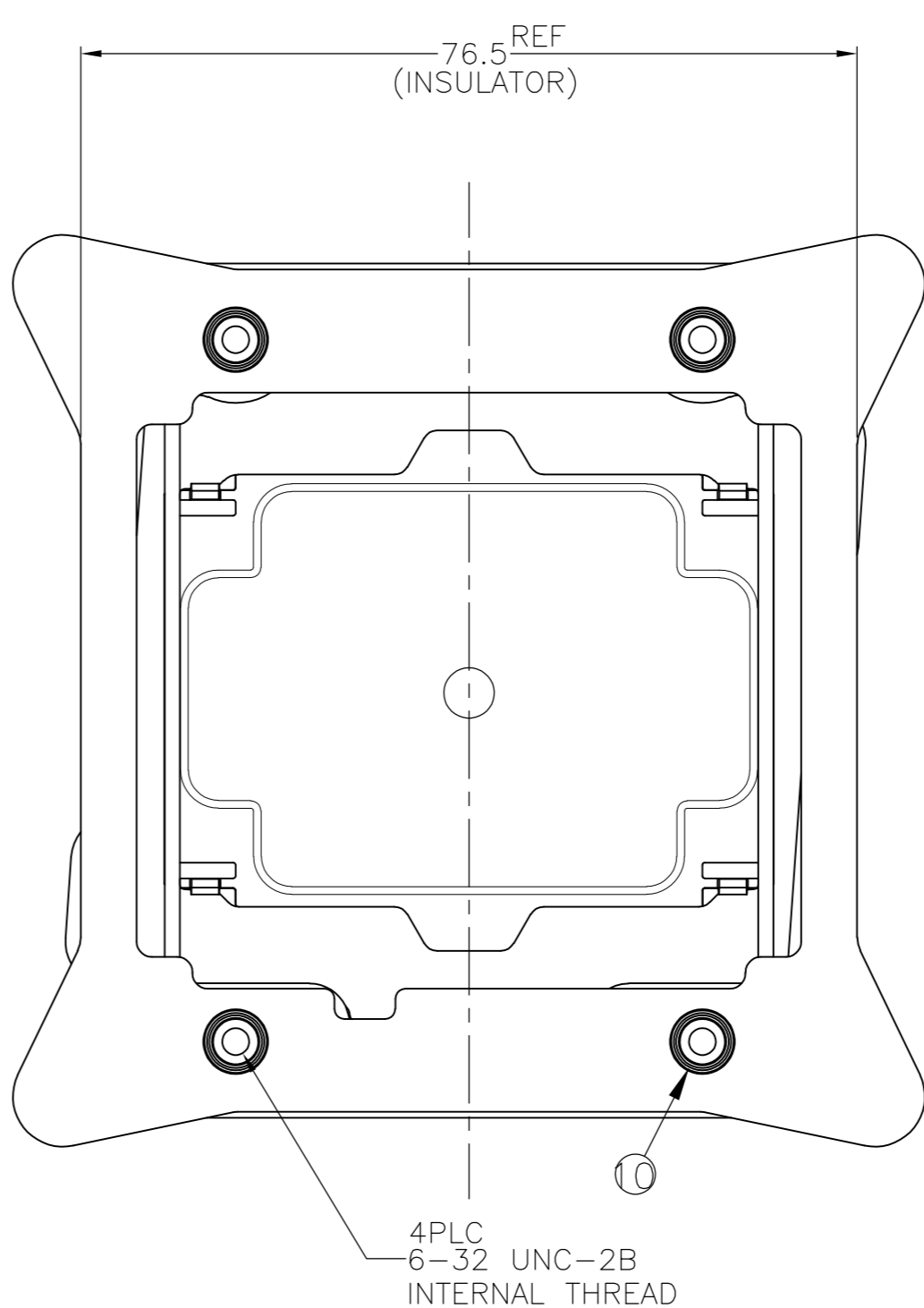
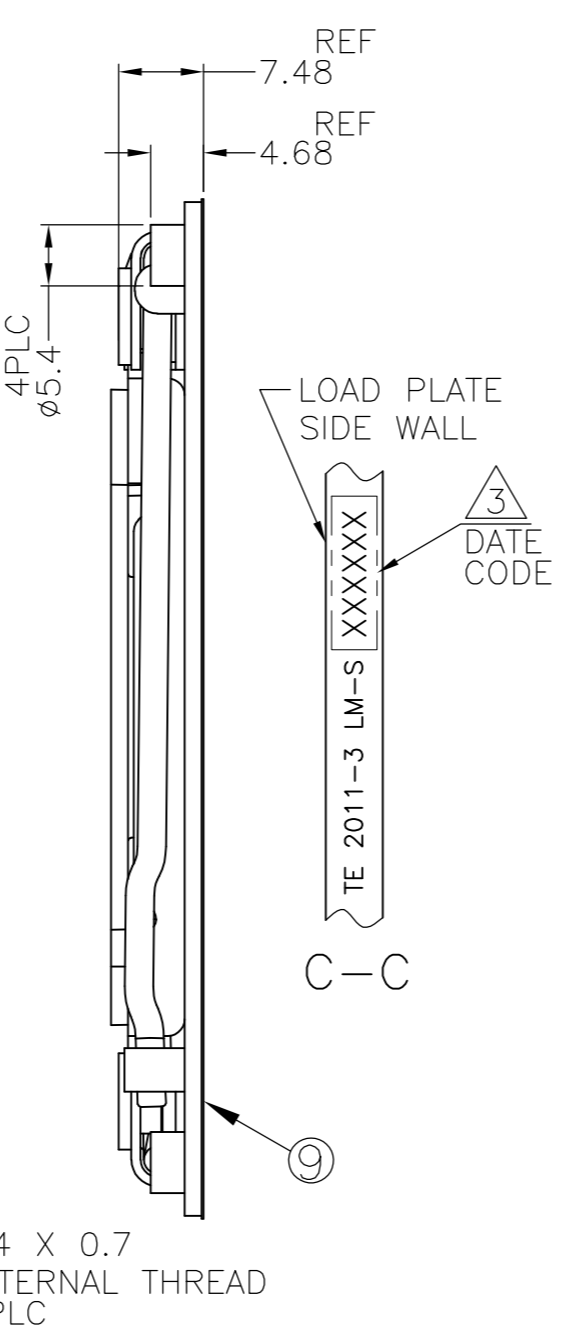
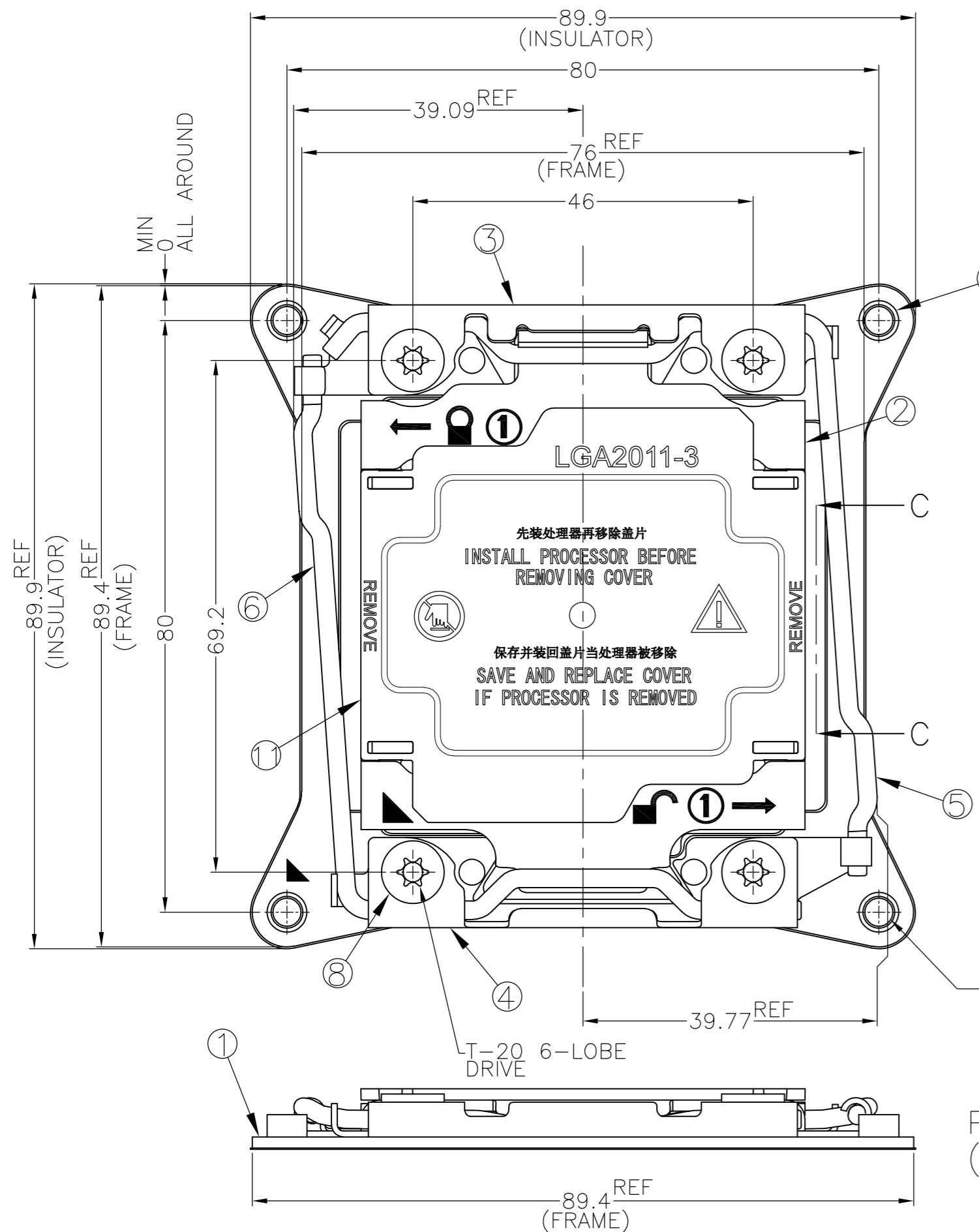


P/N: 2229339-1 AS SHOWN
(NARROW TYPE WITH COVER)

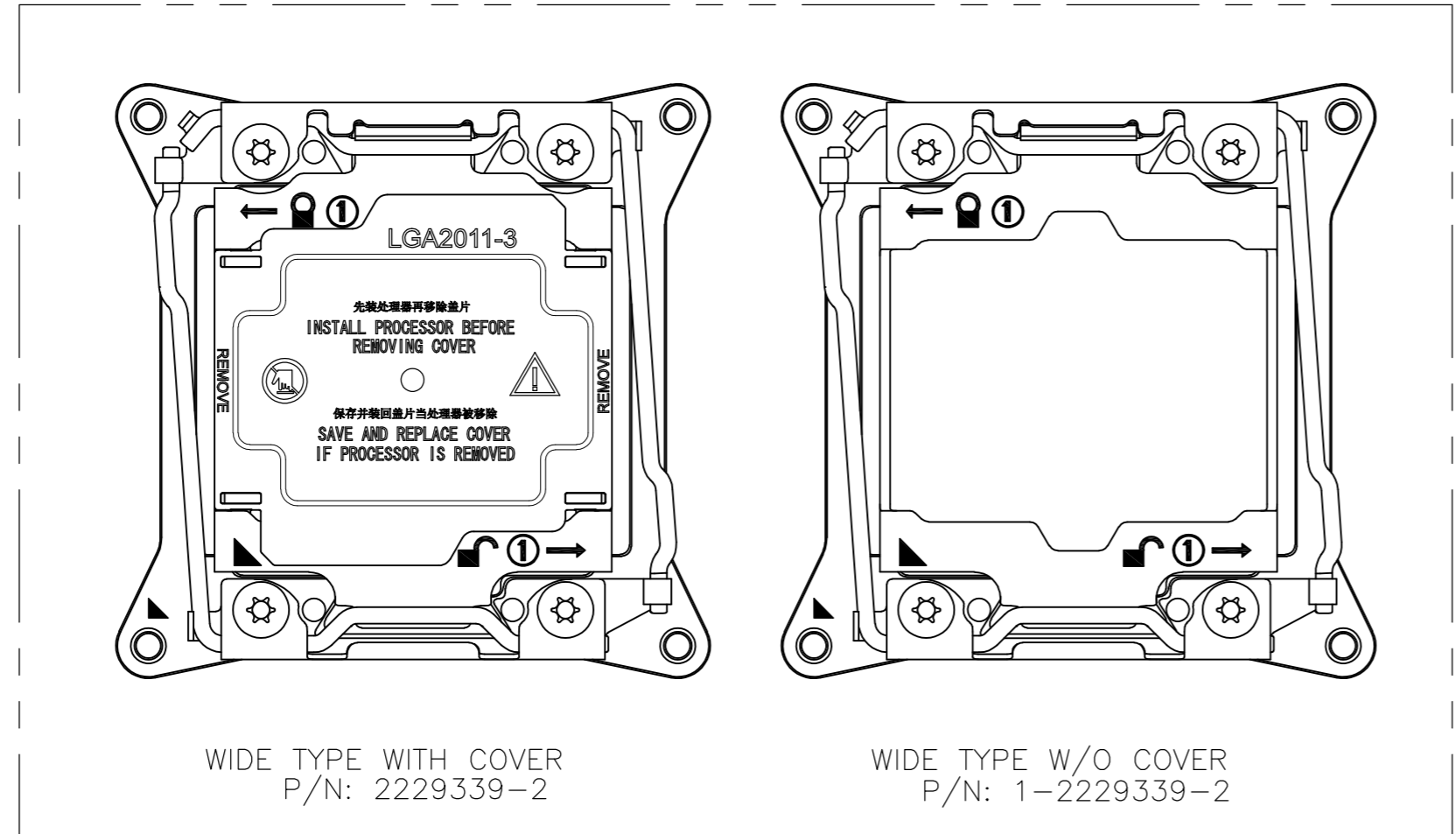


WEIGHT	DESCRIPTION	P/N
81.2g	WIDE TYPE WITH COVER, W/O HS STUD	2229339-4
81.1g	NARROW TYPE WITH COVER, W/O HS STUD	2229339-3
77.8g	WIDE TYPE W/O COVER	1-2229339-2
82.8g	WIDE TYPE WITH COVER	2229339-2
77.7g	NARROW TYPE W/O COVER	1-2229339-1
82.7g	NARROW TYPE WITH COVER	2229339-1

THIS DRAWING IS A CONTROLLED DOCUMENT.		DWN J.CHEN 27NOV'13	TE Connectivity	NAME 名称 ILM ASSY LGA2011-3
		CHK SIMON LI 27NOV'13		
DIMENSIONS: 单位: 毫米 mm		APVD COREL WANG 29NOV'13	PRODUCT SPEC 製品規格 —	SIZE A2
		TOLERANCES UNLESS OTHERWISE SPECIFIED: 一般公差 0-PLC ± ± ± 0.3 1-PLC ± ± ± ± 3' 2-PLC ± ± ± ± 3' 3-PLC ± ± ± ± 3' 4-PLC ± ± ± ± 3' ANGLES 仕上		
MATERIAL 材料		APPLICATION SPEC 取付適用規格 —	DRAWING NO 番号 C=2229339	
		WEIGHT SEE TABLE	CAGE CODE 00779	RESTRICTED TO —
CUSTOMER DRAWING		SCALE 尺度 NTS	SHEET 1 OF 3	REV A



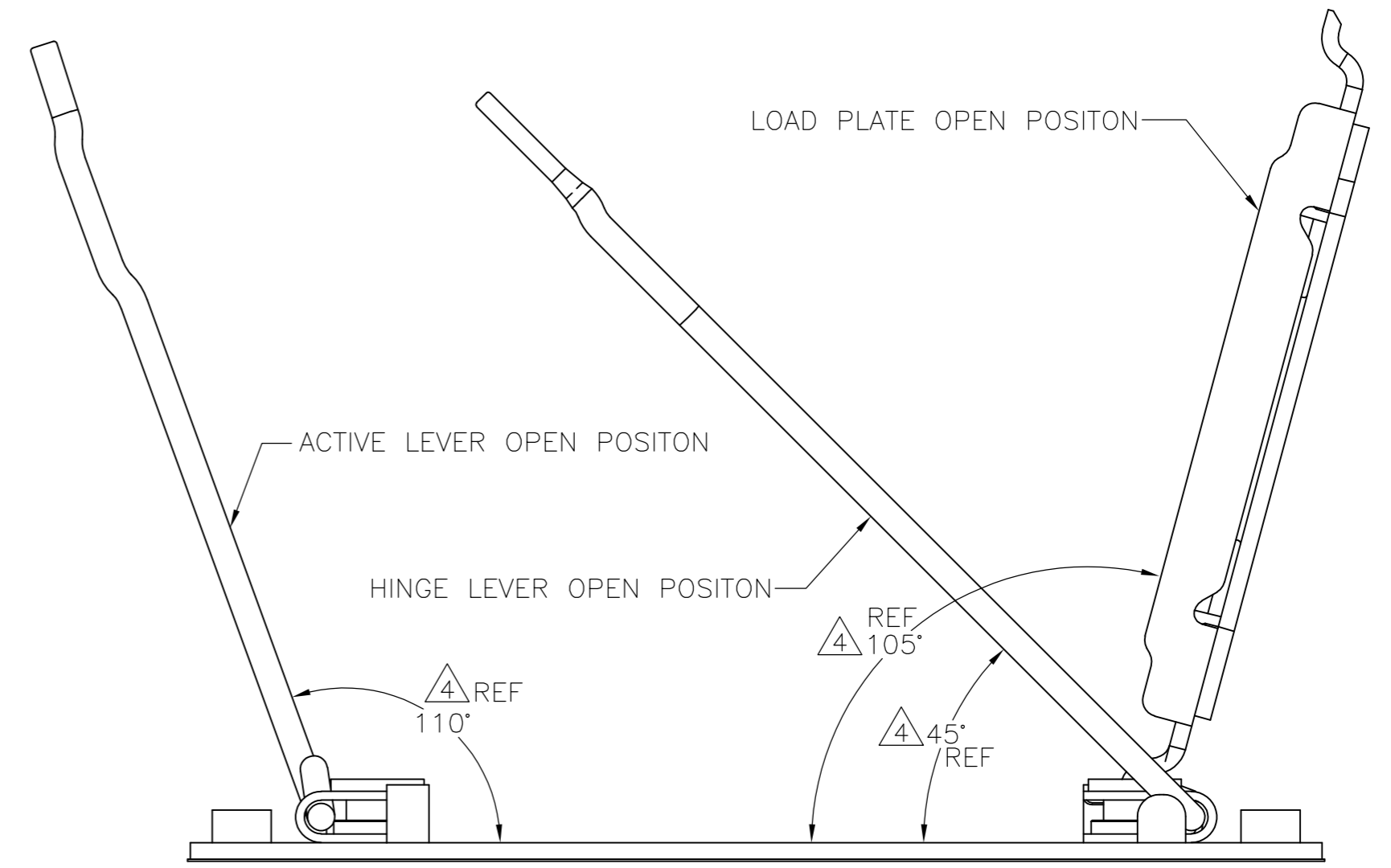
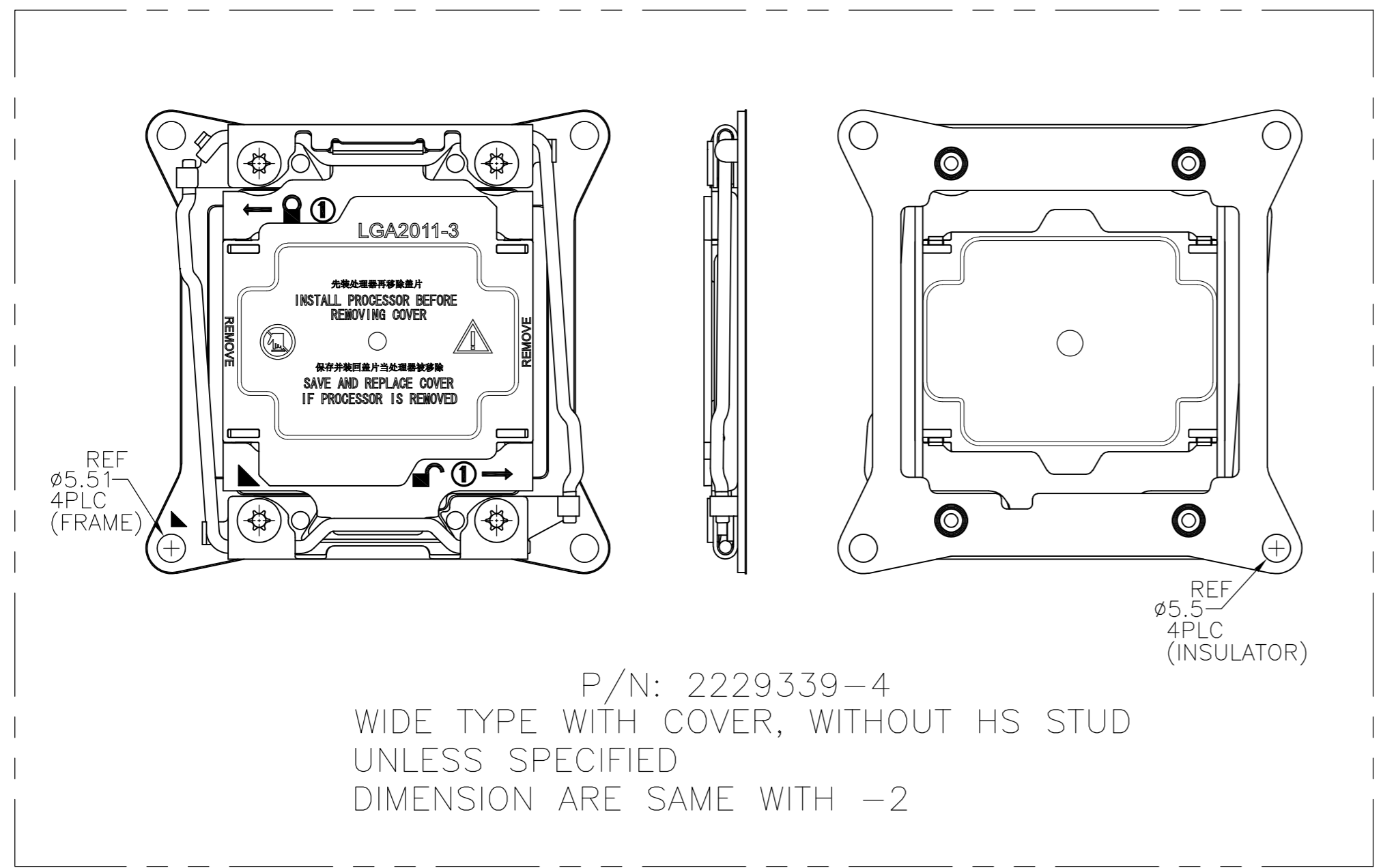
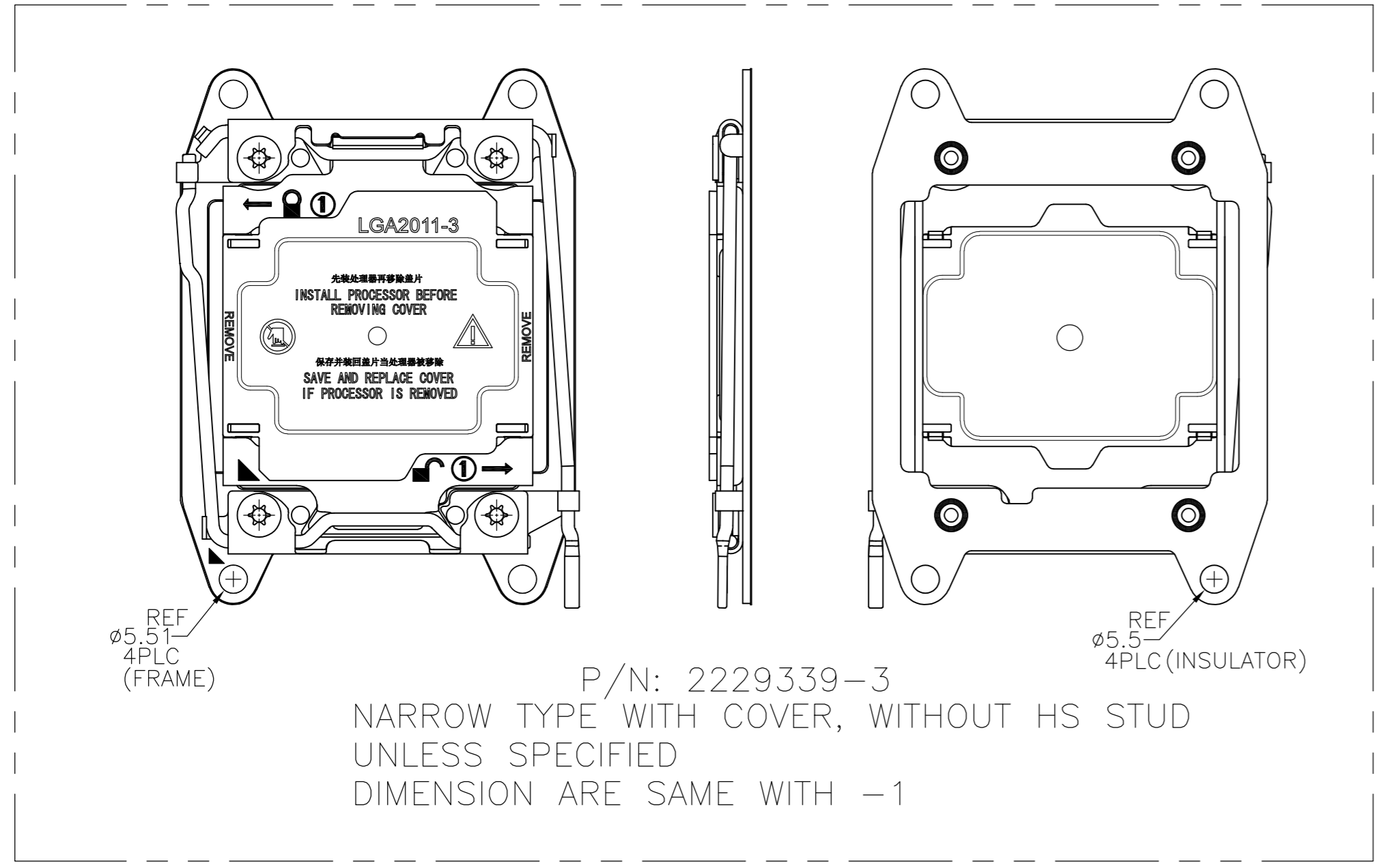
P/N: 2229339-2 AS SHOWN
 (WIDE TYPE WITH COVER)



THIS DRAWING IS A CONTROLLED DOCUMENT.		DWN -	NAME -																											
DIMENSIONS: 单位: 毫米 mm		CHK -	TE Connectivity																											
<table border="1"> <tr> <th colspan="2">TOLERANCES UNLESS OTHERWISE SPECIFIED:</th> </tr> <tr> <td>6-PLC</td> <td>± 0.3</td> </tr> <tr> <td>1-PLC</td> <td>± 0.3</td> </tr> <tr> <td>2-PLC</td> <td>± 0.3</td> </tr> <tr> <td>3-PLC</td> <td>± 0.3</td> </tr> <tr> <td>4-PLC</td> <td>± 0.3</td> </tr> <tr> <td colspan="2">ANGLES</td> <td>APVD -</td> <td>ILM ASSY</td> </tr> <tr> <td colspan="2">FINISH 仕上</td> <td>PRODUCT SPEC</td> <td>LGA2011-3</td> </tr> <tr> <td colspan="2">MATERIAL 材料</td> <td>APPLICATION SPEC</td> <td>SIZE A2</td> </tr> <tr> <td colspan="2"></td> <td>取付通用規格</td> <td>CAGE CODE 00779</td> </tr> </table>	TOLERANCES UNLESS OTHERWISE SPECIFIED:		6-PLC	± 0.3	1-PLC	± 0.3	2-PLC	± 0.3	3-PLC	± 0.3	4-PLC	± 0.3	ANGLES		APVD -	ILM ASSY	FINISH 仕上		PRODUCT SPEC	LGA2011-3	MATERIAL 材料		APPLICATION SPEC	SIZE A2			取付通用規格	CAGE CODE 00779	WEIGHT -	DRAWING NO. C=2229339
	TOLERANCES UNLESS OTHERWISE SPECIFIED:																													
	6-PLC	± 0.3																												
	1-PLC	± 0.3																												
2-PLC	± 0.3																													
3-PLC	± 0.3																													
4-PLC	± 0.3																													
ANGLES		APVD -	ILM ASSY																											
FINISH 仕上		PRODUCT SPEC	LGA2011-3																											
MATERIAL 材料		APPLICATION SPEC	SIZE A2																											
		取付通用規格	CAGE CODE 00779																											
		CUSTOMER DRAWING	RESTRICTED TO -																											
		SCALE NTS	SHEET 2 of 3																											
		REV	A																											

THIS DRAWING IS UNPUBLISHED. RELEASED FOR PUBLICATION APR , 2011.
 © COPYRIGHT 2011 By Tyco Electronics Japan G.K. ALL RIGHTS RESERVED.

LOC		DIST		REVISIONS			
J		-		我	更		
P	LTR	DESCRIPTION	DATE	DWN	APVD		
-	-	SEE SHEET 1	-	-	-		



LEVER AND LOAD PLATE OPEN ANGLES
 THE ACTIVE LEVER MUST OPEN TO A SUFFICIENT ANGLE TO ALLOW THE LOAD PLATE TO OPEN FREELY
 (2229339-1,-2,-3,-4,1-2229339-1,1- -2 AS SHOWN)

THIS DRAWING IS A CONTROLLED DOCUMENT.		DWN	-	TE TE Connectivity	
DIMENSIONS: 单位: 毫米 mm		CHK	-		
TOLERANCES UNLESS OTHERWISE SPECIFIED: 一般公差		APVD	-	NAME 名称	
0-PLC ± 0.3		PRODUCT SPEC 製品規格		ILM ASSY	
1-PLC ± 0.3		APPLICATION SPEC 取付適用規格		LGA2011-3	
2-PLC ± 0.3		WEIGHT		SIZE	CAGE CODE
3-PLC ± 0.3		-		A2	00779
4-PLC ± 0.3		CUSTOMER DRAWING		DRAWING NO 番号	RESTRICTED TO
FINISH 仕上		SCALE 尺度		C=2229339	-
MATERIAL 材料		SCALE NTS		SHEET 3 of 3	REV A